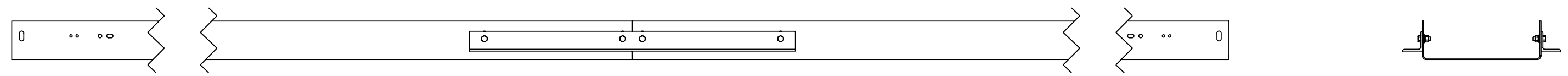
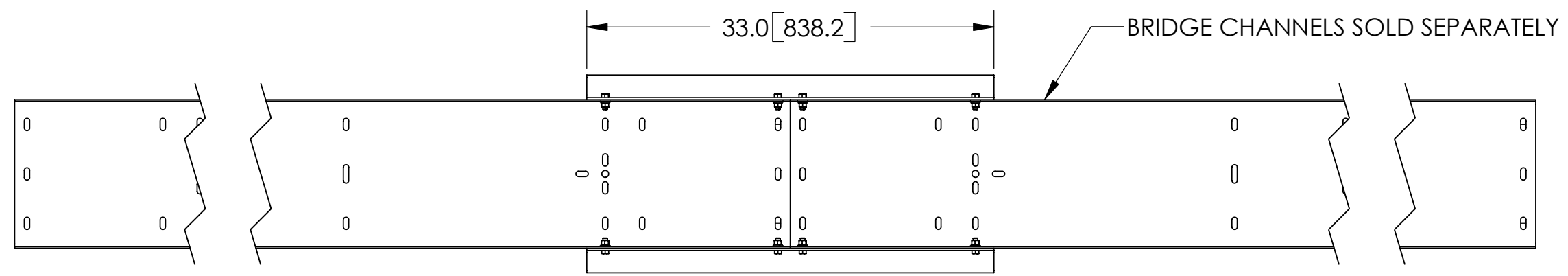
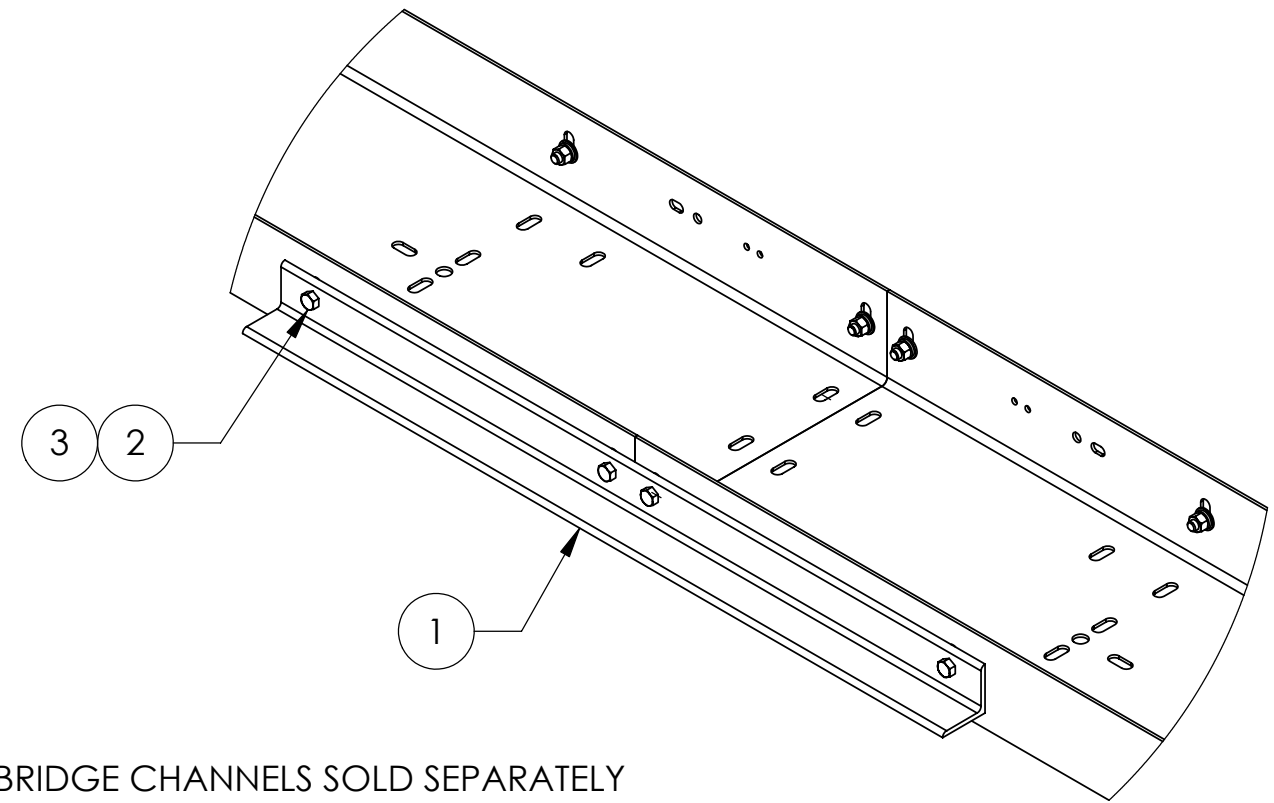


ITEM	PART NO.	DESCRIPTION	QTY.	WEIGHT
1	MTF1223.01	SPLICE STIFFENER	2	6.55 LBS
2	GB-03105	3/8" X 1" GALV BOLT KIT	8	0.27 LBS
3	GWF-03	3/8" GALV FLAT WASHER	8	0.07 LBS


REVISIONS				
REV.	ZONE	DESCRIPTION	BY	DATE
A		INITIAL RELEASE	WLJ	10/15/98
B		REPLACED BORDER AND REDRAWN	GB	05/02/01
C		REDRAWN IN SOLIDWORKS	ACG	05/10/06



These drawings and specifications are the proprietary property of ANDREW CORPORATION and may be used only for the specific purpose authorized in writing by Andrew Corporation.

ALL DIMENSIONS ARE IN INCHES U.O.S.
 TOLERANCES UNLESS OTHERWISE SPECIFIED:
 .X = ± .06 ANGLES ±2°
 .XX = ± .03 FRACTIONS ±1/32
 .XXX = ± .010
 REMOVE BURRS AND BREAK EDGES .005

DO NOT SCALE THIS PRINT

DRAWN BY: ACG	SHEET: 1 of 1	PART NUMBER: MT-FI223
CHECKED BY: TP	SCALE: NTS	DESCRIPTION: BRIDGE CHANNEL SPLICE STIFFENER
DATE: 05/10/06	MATERIAL: A36	DRAWING TYPE: ASSEMBLY DRAWING
REVISION: C	FINISH: GALV A123	 ORLAND PARK, IL. 60462 U.S.A.
	WEIGHT: 13.76 LBS	