

ITEM #	PART NUMBER	DESCRIPTION	QTY.	WEIGHT
1	MT365P.03	PANEL, HOOD TOP	1	28.67 LBS
2	MT365P.04	PANEL, HOOD BACK	1	14.55 LBS
3	MT365P.01	BASE, HOOD FRONT	1	3.41 LBS
4	MT365P.05	PANEL, HOOD, LEFT SIDE	1	33.08 LBS
5	MT365P.06	PANEL, HOOD, RIGHT SIDE	1	33.08 LBS
6	MT365PAS	PANEL, HOOD FRONT	1	12.46 LBS
7	MT365P.07	BASE, HOOD REAR	1	5.77 LBS
8	RP-1006.AS	ASSEMBLED PORT (RP-1006)	1	3.89 LBS
9	SB-0206	1/4 X 3/4 SS HEX BOLT	25	0.02 LBS
10	SB-C0206	1/4 X 3/4 SS CARRIAGE BOLT	28	0.02 LBS
11	SW-L02	1/4" SS LOCK WASHER	53	0.01 LBS
12	SW-F02	1/4" SS FLAT WASHER	13	0.01 LBS
13	SN-02	1/4" SS NUT	40	0.02 LBS
14	RC-B	BLANK RECTANGULAR INSERT (NOT SHOWN)	6	0.60 LBS
15	EP-CAP	4" ENTRY PORT CAP (NOT SHOWN)	6	0.60 LBS
16	MT-468-2.8	SILICONE SEALER 16oz. TUBE (NOT SHOWN)	1	1.20 LBS

REVISIONS				
REV.	ZONE	DESCRIPTION	BY	DATE
E		REVISED AND UPDATED DRAWING	MLO	04/29/99
F		CHANGE P/N MT-467 TO MT-468-2.8	MLL	03/15/00
G		CHANGE P/N MT-365-P.02 TO MT-365-PAS	ACG	08/18/06
H		REDRAWN IN S.W.	AW	11/02/06

D

D

C

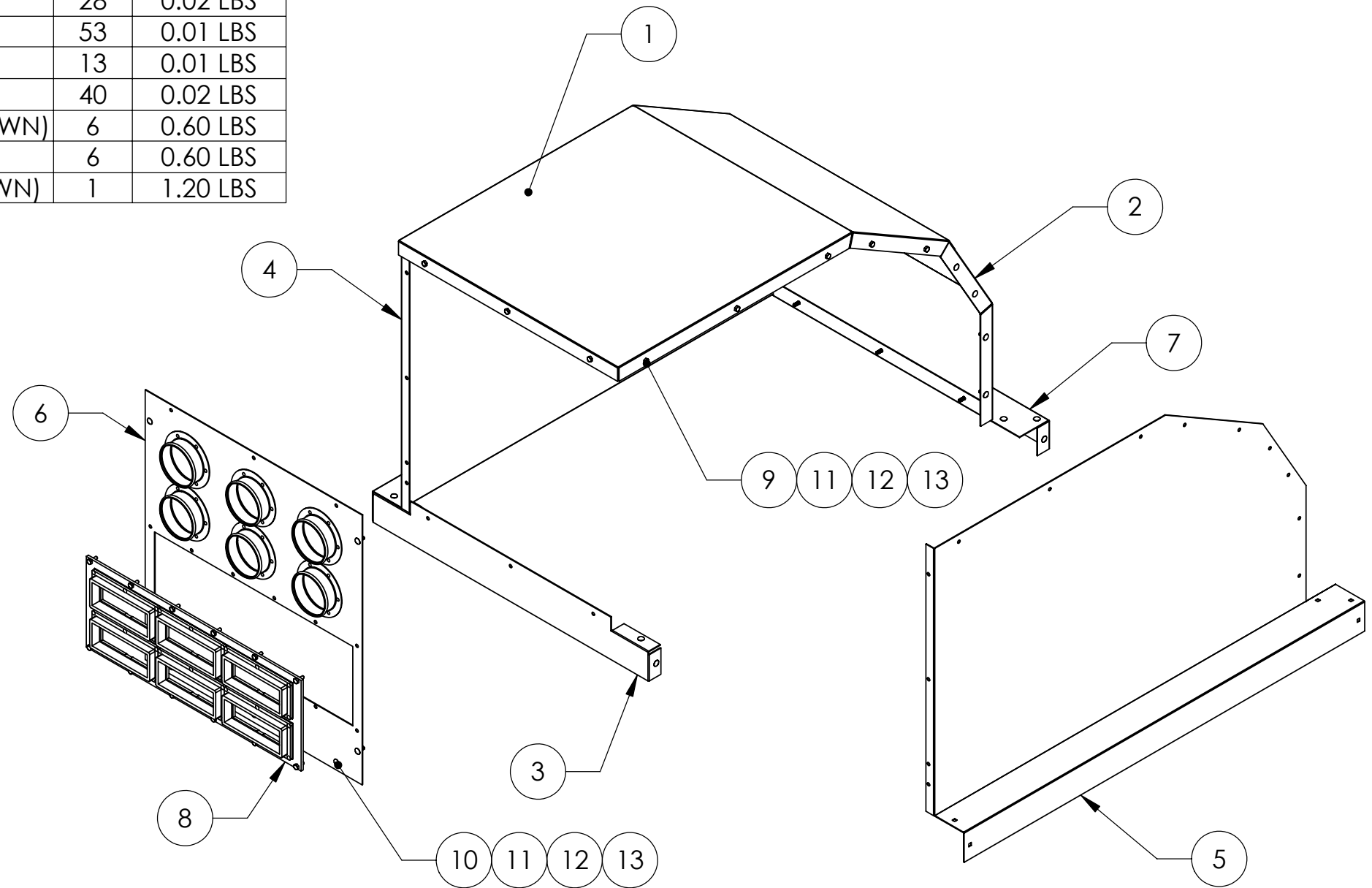
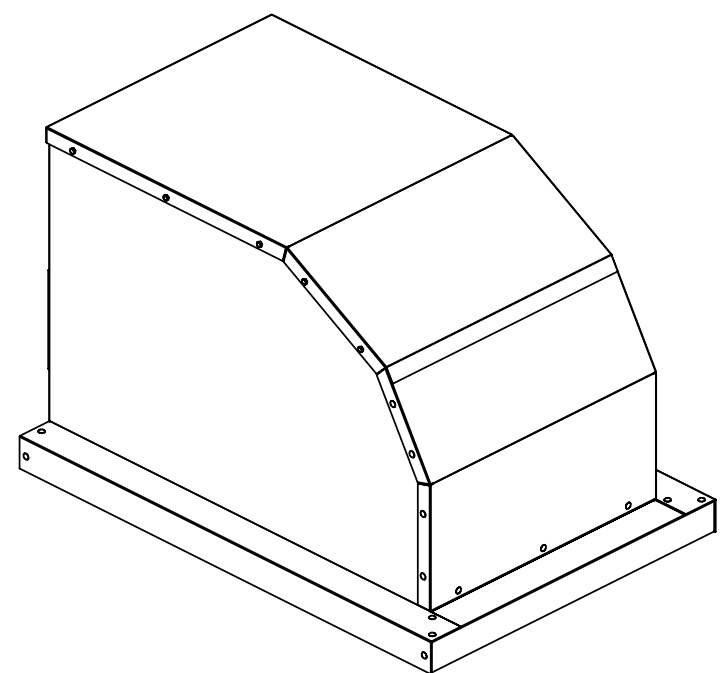
C

B

B

A

A



<p>These drawings and specifications are the proprietary property of ANDREW CORPORATION and may be used only for the specific purpose authorized in writing by Andrew Corporation.</p> <p>ALL DIMENSIONS ARE IN INCHES U.O.S. TOLERANCES UNLESS OTHERWISE SPECIFIED:</p> <p>.X = ± .06 ANGLES ± 2° .XX = ± .03 FRACTIONS ± 1/32 .XXX = ± .010</p> <p>REMOVE BURRS AND BREAK EDGES .005</p> <p>DO NOT SCALE THIS PRINT</p>	<p>DRAWN BY: AW</p>	<p>SHEET: 1 of 1</p>	<p>PART NUMBER: MT-365P</p>
	<p>CHECKED BY: TP</p>	<p>SCALE: NTS</p>	<p>DESCRIPTION: ROOF-TOP HOOD ENTRY KIT</p>
	<p>DATE: 11/02/06</p>	<p>MATERIAL: A36</p>	<p>DRAWING TYPE: ASSEMBLY DRAWING</p>
	<p>REVISION: H</p>	<p>FINISH: POWDERCOAT</p>	<p>WEIGHT: 135.46 LBS</p>

ANDREW® ORLAND PARK, IL. 60462 U.S.A.

8

7

6

5

4

3

2

1