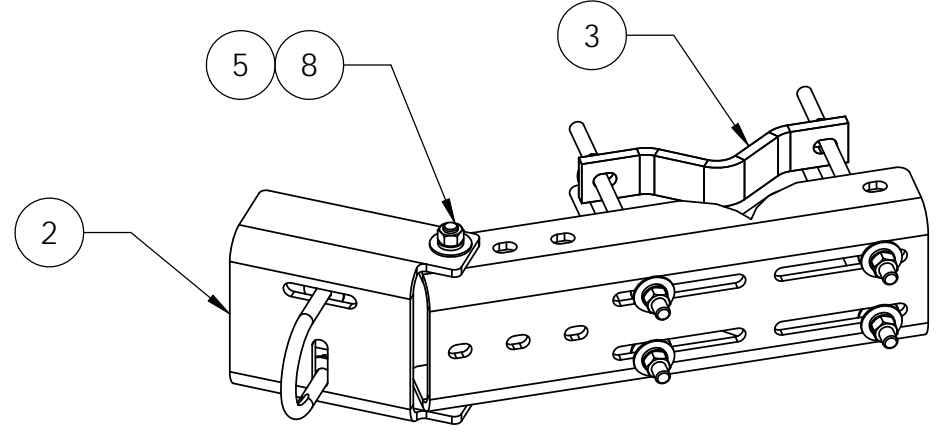
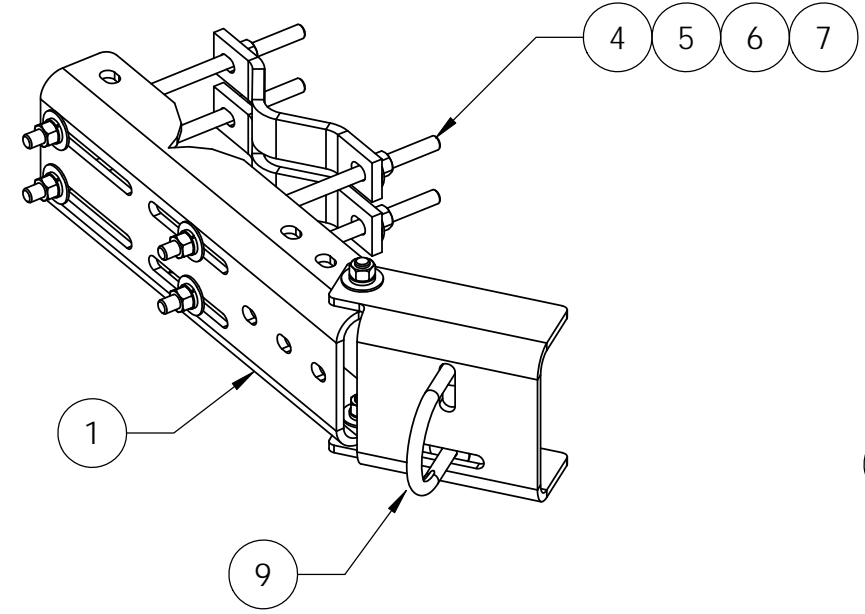
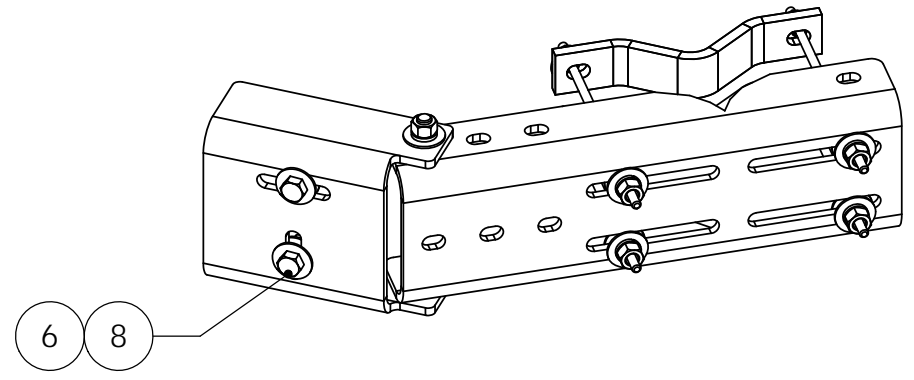
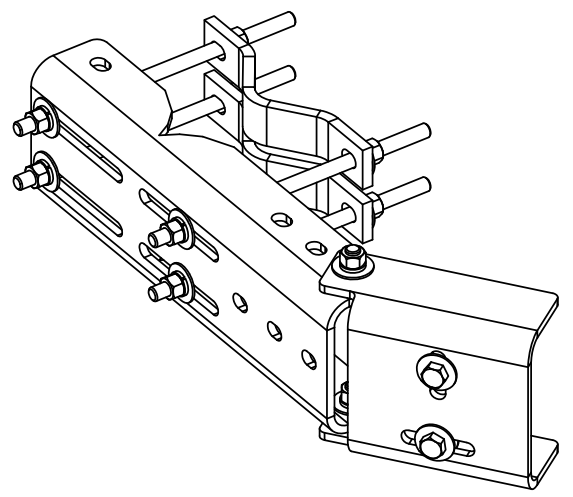


ITEM	PART NO.	DESCRIPTION	QTY.	WEIGHT
1	MDCS01	Universal Leg Channel	2	24.61 LBS
2	MTC9872.02	CHANNEL PIVOT BRACKET	2	12.43 LBS
3	MCP10	2-1/2" O.D. TO 9" O.D. CLAMP HALF	5	3.36 LBS
4	MT-382-14	5/8" X 14" GALV THREADED ROD	8	1.21 LBS
5	GWF-05	5/8" GALV FLAT WASHER	32	0.03 LBS
6	GWL-05	5/8" GALV LOCK WASHER	16	0.00 LBS
7	GN-05	5/8" GALV HEX NUT	20	0.04 LBS
8	GB-05205	5/8" X 2" GALV BOLT KIT	8	0.27 LBS
9	GUB-53560	5/8" X 3-5/8" X 6" GALV U-BOLT	2	1.30 LBS

REVISIONS				
REV.	ZONE	DESCRIPTION	BY	DATE
A		INITIAL RELEASE	MSM	04/19/10
B		THREADED ROD WAS MT-381	MSM	09/13/12




SET-UP WITH U-BOLT ON FACE



SET-UP WITH BOLTS ON FACE

NOTES:  
1. ALL METRIC DIMENSIONS ARE IN BRACKETS.

<small>These drawings and specifications are the proprietary property of ANDREW CORPORATION and may be used only for the specific purpose authorized in writing by Andrew Corporation.</small> ALL DIMENSIONS ARE IN INCHES U.O.S. TOLERANCES UNLESS OTHERWISE SPECIFIED: .X = ± .12      ANGLES      ±2° .XX = ± .06      FRACTIONS      ±1/32 .XXX = ± .03 REMOVE BURRS AND BREAK EDGES .005 DO NOT SCALE THIS PRINT	DRAWN BY: MSM	SHEET: 1 of 1	PART NUMBER: MD-CS-F
	CHECKED BY: TP	SCALE: NTS	DESCRIPTION: Microwave Dish Channel Support Face Brkts
	DATE: 04/19/10	MATERIAL: A36	DRAWING TYPE: ASSEMBLY DRAWING
	REVISION: <b>B</b>	FINISH: GALV A123	 WESTCHESTER, IL. 60154 U.S.A.
	WEIGHT: 107.52 LBS		