

- 1.0 GENERAL NOTES
 - 1.1 ALL METRIC DIMENSIONS ARE IN BRACKETS [X.X]
 - 1.2 FOR PATENT INFO: <https://www.cs-pat.com>

- 2.0 DESIGN NOTES
 - 2.1 ANY HAZARDS OR OBSTRUCTIONS TO THE CLIMBING FACILITY AND SAFETY CLIMB MUST BE IDENTIFIED PRIOR TO INSTALLING THE APPURTENANCE. ADDITIONAL PRODUCTS MAY BE REQUIRED TO MAINTAIN THE INTEGRITY OF THE SAFETY CLIMB. DURING INSTALLATION, TEMPORARY AND/OR PERMANENT PRECAUTIONARY MEASURES SHOULD BE TAKEN TO PRESERVE THE CLIMBING FACILITY AND/OR SAFETY CLIMB.

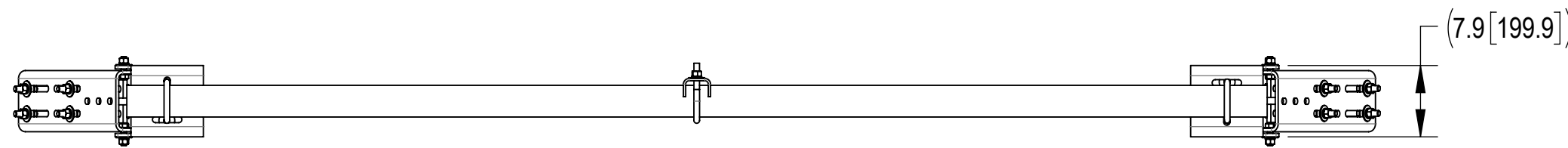
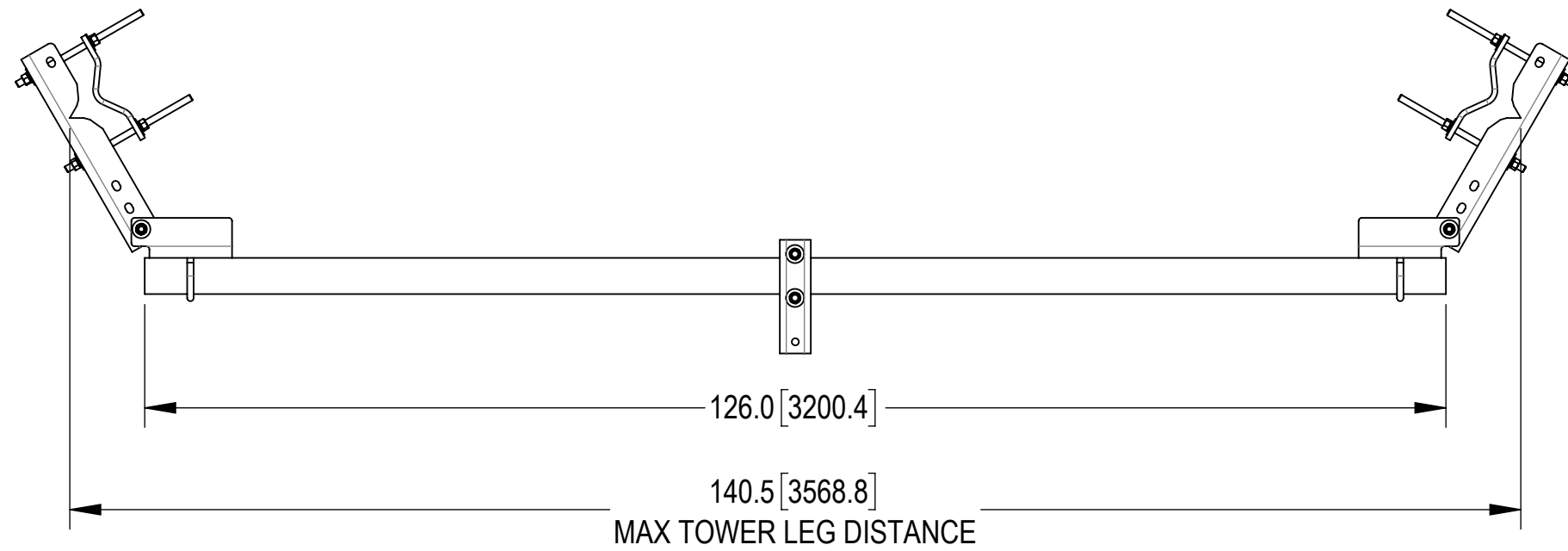
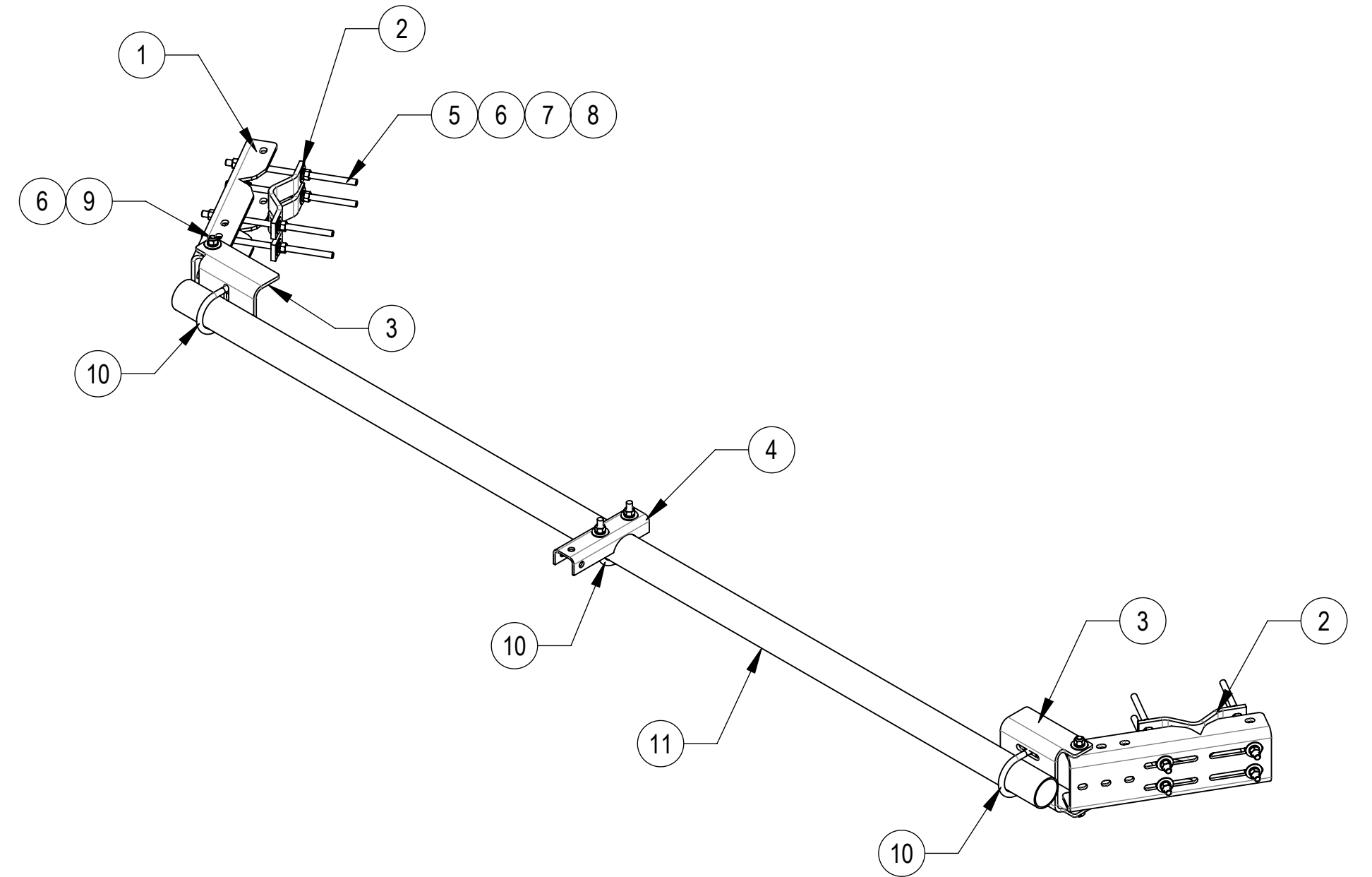
- 3.0 MANUFACTURING/SPECIAL REQUIREMENTS
 - 3.1 TIGHTEN ALL BOLTS SECURING FLAT PLATES BY THE TURN-OF-NUT METHOD. TIGHTEN ALL U-BOLTS USING TURN-OF-NUT METHOD WITH ATTENTION TO LEAVE EQUAL DISTANCE AND EQUAL FORCE ON EACH LEG OF THE U-BOLT.

4.0 TEST

5.0 PACKAGING

- 5.1 PACKAGING SHALL MEET COMMSCOPE REQUIREMENTS PER DOCUMENT IS-PL-3005.
- 5.2 PRINTED DOCUMENT TO BE PLACED INSIDE POLYBAG AND THEN IN SHIPPING CONTAINER.
- 5.3 EXTRA HARDWARE MAY BE SUPPLIED, BAGGED AND SHIPPED.

REVISIONS			
REV.	DESCRIPTION	DATE	APPROVED
A	INITIAL RELEASE	MSM 24APR10	TP
B	THREADED ROD WAS MT-381	MSM 13SEP12	TP
C	MT-547-126 (ITEM 11) WAS MT-547-120 TO MATCH BOM	JL1183 07AUG24	YC1015 40201892CMO



COMPONENT PART NUMBERS PROVIDED FOR ASSEMBLY PURPOSES;
INDIVIDUAL COMPONENTS MAY BE SHIPPED AS PARTS WITHIN AN INCLUDED KIT.

ITEM	PART NO.	DESCRIPTION	QTY.	WEIGHT	NOTE NO.
1	MDCS01	UNIVERSAL LEG CHANNEL FOR MD-CS	2	25.05 LBS	
2	MCP10	2-1/2" O.D. TO 9" O.D. CLAMP HALF	4	3.36 LBS	
3	MTC987202	CHANNEL PIVOT BRACKET	2	12.43 LBS	
4	TFMSS35	STIFF-ARM STRUT SUPPORT, 3-1/2IN OD ARM	1	4.05 LBS	
5	MT-382-14	5/8" X 14" GALV THREADED ROD	8	1.21 LBS	
6	GWF-05	5/8" GALV FLAT WASHER, 1.7OD	32	0.06 LBS	
7	GWL-05	5/8" GALV LOCK WASHER	16	0.03 LBS	
8	GN-05	5/8" GALV HEX NUT	24	0.08 LBS	
9	GB-05205	5/8" X 2" GALV BOLT KIT	4	0.26 LBS	
10	GUB-53560	5/8" X 3-5/8" X 6" GALV U-BOLT	3	1.30 LBS	
11	MT-547-126	3.5" O.D. X 126" PIPE	1	61.93 LBS	

DENSITY	204.05	lbs/in ³
MASS	204.05	lbs
VOLUME	722.03	in ³
SURFACE AREA	5897.26	in ²
HEIGHT	26.5"	
LENGTH	150.0"	
WIDTH	7.9"	

COMMSCOPE, INC. OF NORTH CAROLINA

TOLERANCES: 1 PLACE .X[X] ± 0.12[3.0] 3 PLACE .XXX[X] ± 0.03[0.8]
2 PLACE .XX[X] ± 0.06[1.5] ANGLES ± 2°

SAP MATERIAL MASTER: **MD-CS-10R**

FINISH: _____ MATERIAL: _____

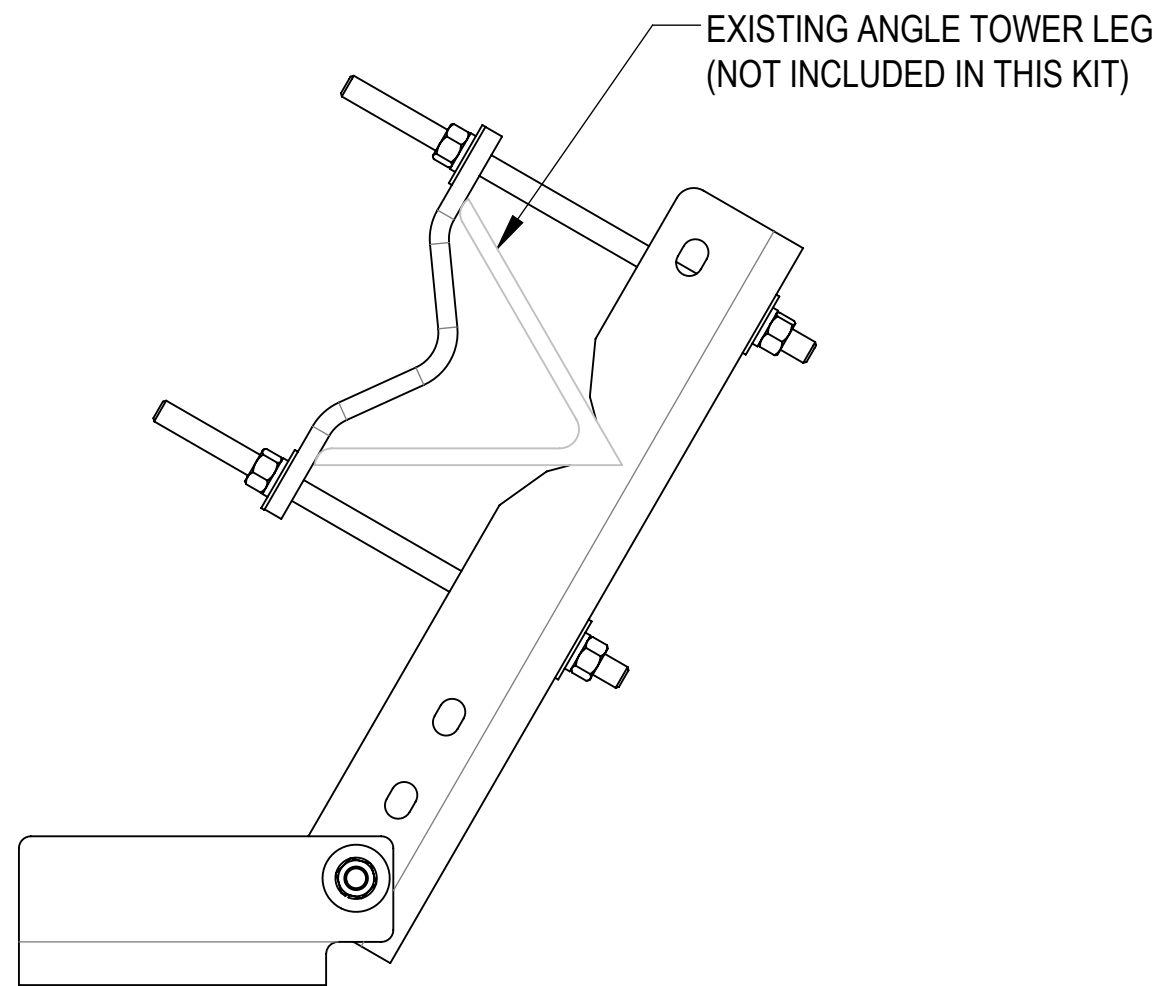
NAME	DATE	TITLE
CE JL1183	07AUG24	MICROWAVE DISCH CHANNEL SUPPORT, 10' RND
RW YMENG	08/12/2024	
AD YC1015	08/12/2024	
RE YMENG	08/12/2024	

SCALE: **1:12** DOCUMENT NO.: **MD-CS-10R**

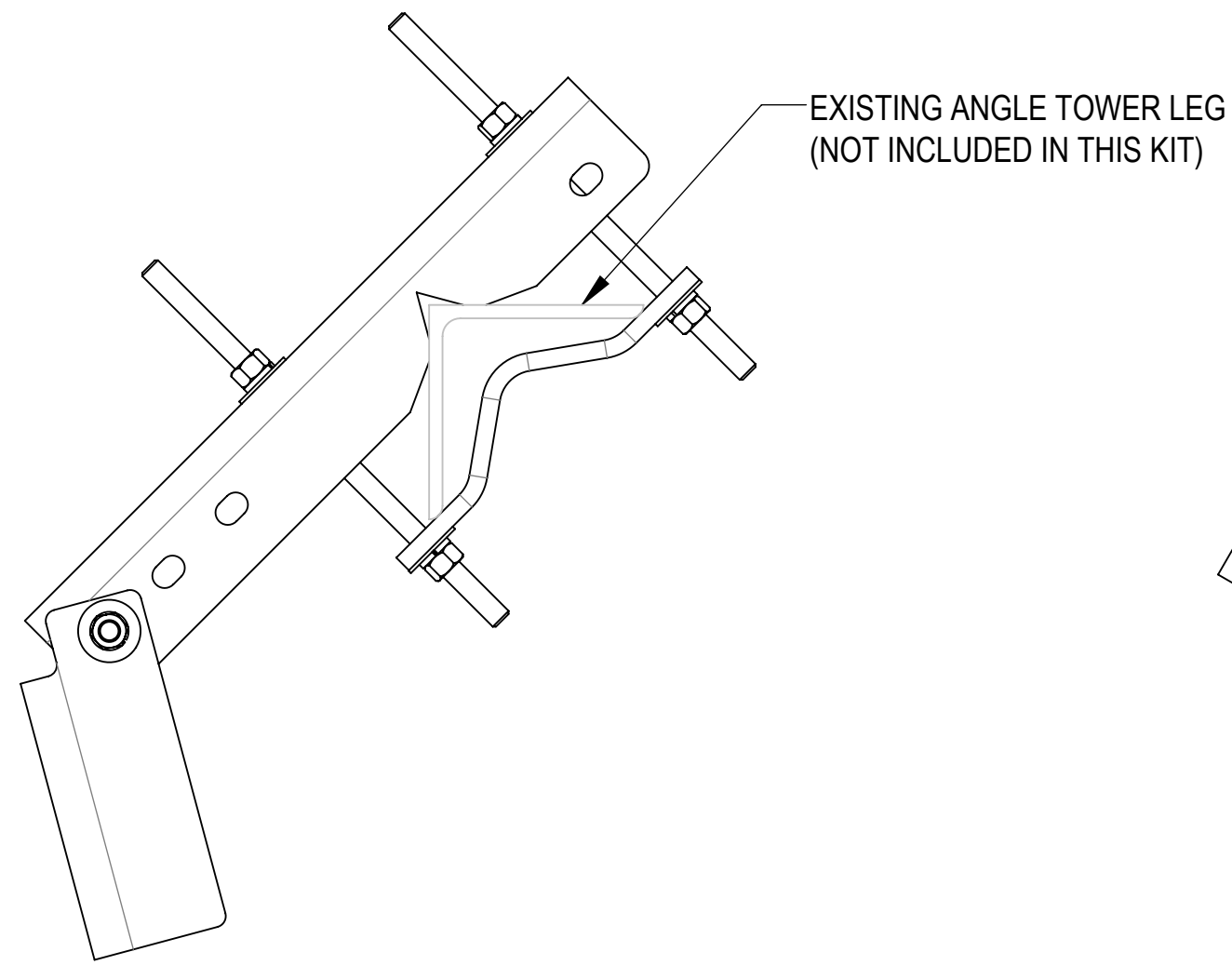
ECN 40201892CMO

SIZE	Auth Group	INSL	MODEL			DRAWING			SHEET
C			VERSION	STATUS	REVISION	VERSION	STATUS	REVISION	1 OF 2
			01	RE	B	00	RE	C	

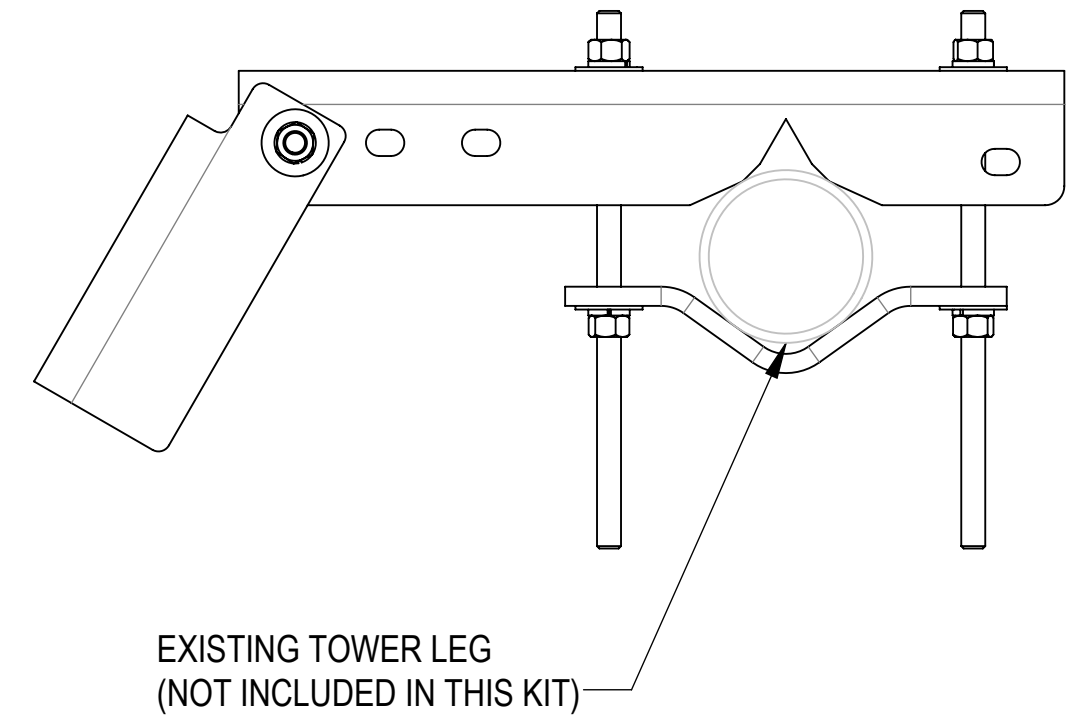
OPTIONAL MOUNTING




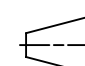
60° TOWER LEGS UP TO 8" X 8" ANGLE



90° TOWER LEGS UP TO 6" X 6" ANGLE



ROUND TOWER LEGS UP TO ϕ 8" OD

COMMSCOPE, INC. OF NORTH CAROLINA				
TITLE MICROWAVE DISCH CHANNEL SUPPORT, 10' RND				
SIZE C	SCALE 1:20	DOCUMENT NO. MD-CS-10R		
 		DRAWING		SHEET 2 OF 2
		VERSION 00	STATUS RE	