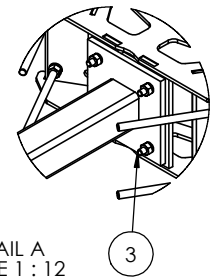
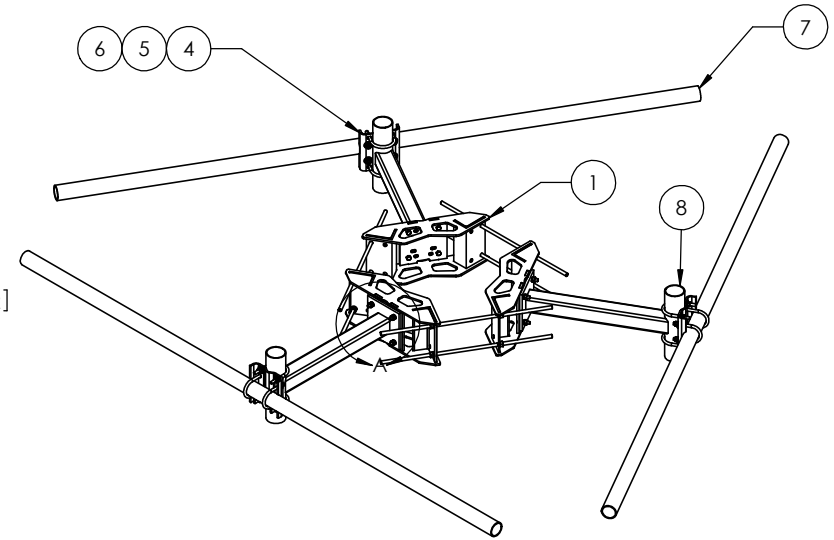
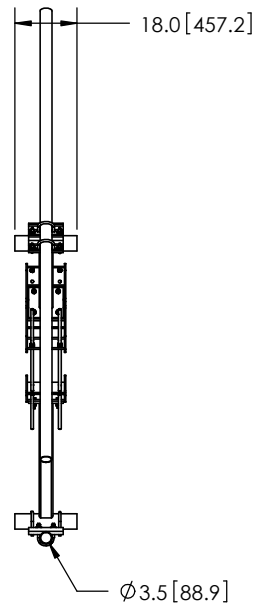
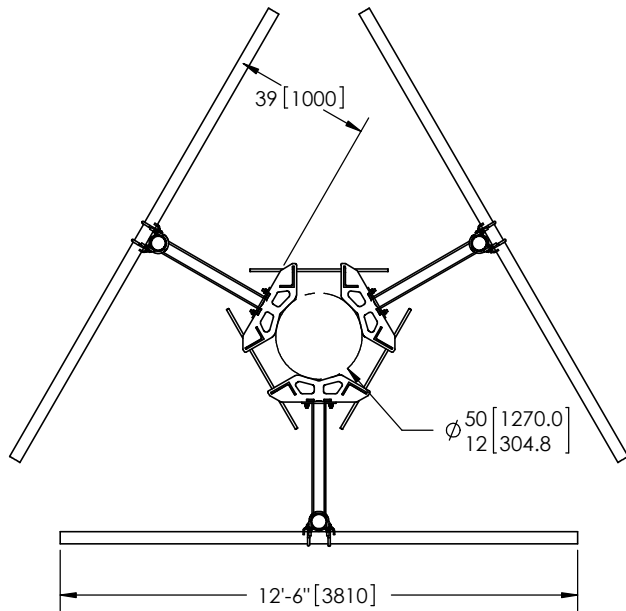


| ITEM | PART NO. | DESCRIPTION | QTY. | WEIGHT |
|------|-------------|------------------------------------|------|------------|
| 1 | MC-RM1550-3 | 12" - 50" OD RINGMOUNT | 1 | 230.42 LBS |
| 2 | MT197H | HARDWARE KIT (NEXT ITEM) | 3 | |
| 3 | GB-0524A | 5/8" X 2-1/2" GALV BOLT KIT (A325) | 12 | 0.31 LBS |
| 4 | MT216.13 | CENTER BRACKET | 3 | 11.80 LBS |
| 5 | GUB-53560 | 5/8" X 3-5/8" X 6" GALV U-BOLT | 6 | 1.30 LBS |
| 6 | GUB-5456 | 5/8" X 4-5/8" X 6 1/2" GALV U-BOLT | 6 | 1.43 LBS |
| 7 | MT21601 | Ø3.5" O.D. X 150" PIPE | 3 | 94.20 LBS |
| 8 | MT197.01 | 36" SINGLE SUPPORT ARM | 3 | 62.84 LBS |


| REVISIONS | | | | |
|-----------|------------|-------------------------------|-----|----------|
| REV. | ZONE | DESCRIPTION | BY | DATE |
| A | | INITIAL RELEASE | MSM | 02/08/10 |
| B | | UPDATE TABLES | MSM | 04/02/10 |
| C | | UPDATE RINGMOUNT AND WEIGHTS | MSM | 01/18/13 |
| D | 8000007579 | NEW RINGMOUNT WELDMENT DESIGN | RJC | 04/16/15 |



DETAIL A
SCALE 1 : 12

NOTES:

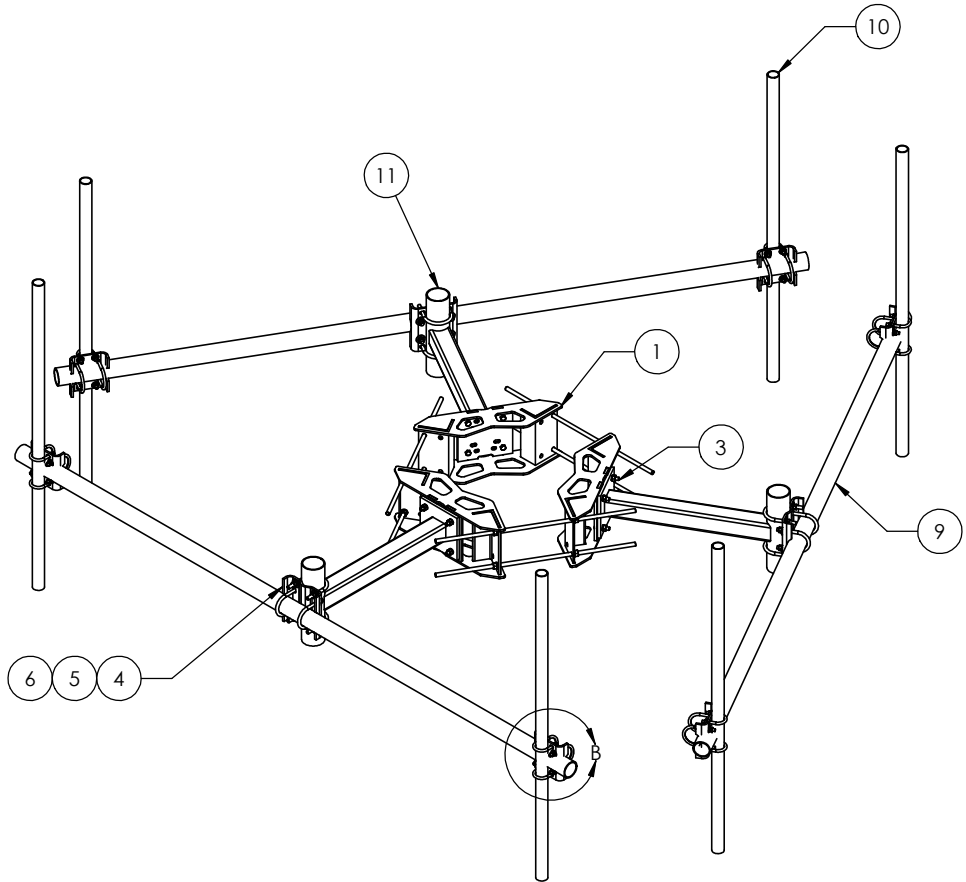
1. ALL METRIC DIMENSIONS ARE IN BRACKETS.
2. FITS MONOPOLES 12" - 50" OD.

| | | | | |
|--|--|--|---|---|
| <small>These drawings and specifications are the proprietary property of ANDREW CORPORATION and may be used only for the specific purpose authorized in writing by Andrew Corporation.</small> | | DRAWN BY: MSM CHECKED BY: TP DATE: 02/08/10 REVISION: D | SHEET: 1 of 4 SCALE: NTS MATERIAL: A36, A53 FINISH: GALV A123 WELD: SEE TABLE | PART NUMBER: MC-K12M-B SERIES DESCRIPTION: Monopole Co-Location T-Frame Base Kit DRAWING TYPE: ASSEMBLY DRAWING  WESTCHESTER, IL. 60154 U.S.A. |
|--|--|--|---|---|

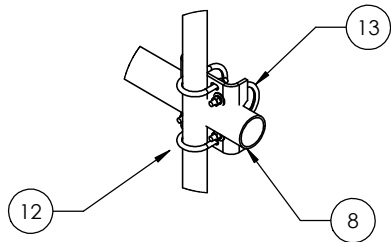
| ITEM | PART NO. | DESCRIPTION | QTY. | WEIGHT |
|------|-------------|------------------------------------|------|------------|
| 1 | MC-RM1550-3 | 12" - 50" OD RINGMOUNT | 1 | 230.42 LBS |
| 2 | MT197H | HARDWARE KIT (NEXT ITEM) | 3 | |
| 3 | GB-0524A | 5/8" X 2-1/2" GALV BOLT KIT (A325) | 12 | 0.31 LBS |
| 4 | MT216.13 | CENTER BRACKET | 3 | 11.80 LBS |
| 5 | GUB-53560 | 5/8" X 3-5/8" X 6" GALV U-BOLT | 6 | 1.30 LBS |
| 6 | GUB-5456 | 5/8" X 4-5/8" X 6 1/2" GALV U-BOLT | 6 | 1.43 LBS |
| 7 | MT-219-H | HARDWARE KIT (Next 3 Items) | 6 | |
| 8 | MT21701 | PIPE MOUNT PLATE | 6 | 7.93 LBS |
| 9 | MT21601 | Ø3.5" O.D. X 150" PIPE | 3 | 94.20 LBS |
| 10 | MT-651 | 2.375" OD x 72" PIPE | 6 | - |
| 11 | MT197.01 | 36" SINGLE SUPPORT ARM | 3 | 62.84 LBS |
| 12 | GUB-4240 | 1/2" X 2-1/2" X 4" GALV U-BOLT | 12 | 0.56 LBS |
| 13 | GUB-4356 | 1/2" X 3-5/8" X 6" GALV U-BOLT | 12 | 0.82 LBS |

PARTS LIST FOR USE WITH MC-K6M-B

| T-FRAME # | PIPE | DESCRIPTION | QTY | WEIGHT |
|---------------|-----------|--------------------------|-----|-------------|
| MC-K12M-B | - | BASE KIT | 0 | 747.37 LBS |
| MC-K12M-6-72 | MT-651 | 2-3/8"OD X 72" GALV PIPE | 6 | 946.69 LBS |
| MC-K12M-6-96 | MT-651-96 | 2-3/8"OD X 96" GALV PIPE | 6 | 990.26 LBS |
| MC-K12M-9-72 | MT-651 | 2-3/8"OD X 72" GALV PIPE | 9 | 1046.35 LBS |
| MC-K12M-9-96 | MT-651-96 | 2-3/8"OD X 96" GALV PIPE | 9 | 1111.76 LBS |
| MC-K12M-12-72 | MT-651 | 2-3/8"OD X 72" GALV PIPE | 12 | 1146.01 LBS |
| MC-K12M-12-96 | MT-651-96 | 2-3/8"OD X 96" GALV PIPE | 12 | 1233.22 LBS |




MC-K12M-6-72 SHOWN



DETAIL B
SCALE 1 : 12

NOTES:

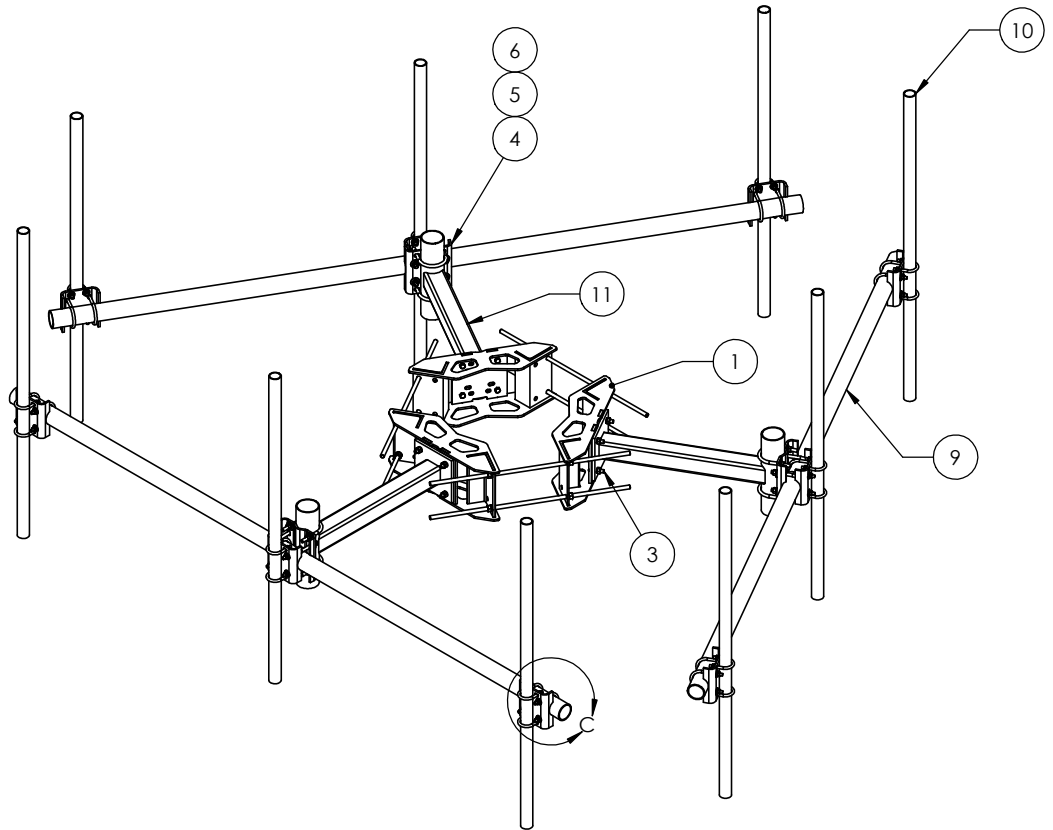
1. ALL METRIC DIMENSIONS ARE IN BRACKETS.

| | | | | |
|---|--|--|--|---|
| <small>These drawings and specifications are the proprietary property of ANDREW CORPORATION and may be used only for the specific purpose authorized in writing by Andrew Corporation.</small> | | DRAWN BY: MSM CHECKED BY: TP DATE: 02/08/10 REVISION: D | SHEET: 2 of 4 SCALE: NTS MATERIAL: A36, A53 FINISH: GALV A123 REFER: SEE TABLE | PART NUMBER: MC-K12M-B SERIES DESCRIPTION: Monopole Co-Location T-Frame, Six 2-3/8" x 72" Pipe Mounts DRAWING TYPE: ASSEMBLY DRAWING  WESTCHESTER, IL. 60154 U.S.A. |
| ALL DIMENSIONS ARE IN INCHES U.O.S. TOLERANCES UNLESS OTHERWISE SPECIFIED: .X = ± .12 ANGLES ±2° .XX = ± .06 FRACTIONS ±1/32 .XXX = ± .03 REMOVE BURRS AND BREAK EDGES .005 DO NOT SCALE THIS PRINT | | | | |

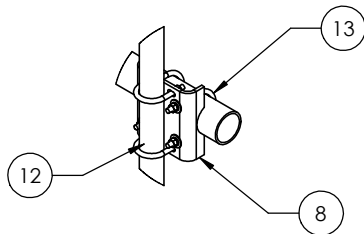
| ITEM | PART NO. | DESCRIPTION | QTY. | WEIGHT |
|------|-------------|------------------------------------|------|------------|
| 1 | MC-RM1550-3 | 12" - 50" OD RINGMOUNT | 1 | 230.42 LBS |
| 2 | MT197H | HARDWARE KIT (NEXT ITEM) | 3 | |
| 3 | GB-0524A | 5/8" X 2-1/2" GALV BOLT KIT (A325) | 12 | 0.31 LBS |
| 4 | MT216.13 | CENTER BRACKET | 3 | 11.80 LBS |
| 5 | GUB-53560 | 5/8" X 3-5/8" X 6" GALV U-BOLT | 6 | 1.30 LBS |
| 6 | GUB-5456 | 5/8" X 4-5/8" X 6 1/2" GALV U-BOLT | 6 | 1.43 LBS |
| 7 | MT-219-H | HARDWARE KIT (Next 3 Items) | 9 | |
| 8 | MT21701 | PIPE MOUNT PLATE | 9 | 7.93 LBS |
| 9 | MT21601 | Ø3.5" O.D. X 150" PIPE | 3 | 94.20 LBS |
| 10 | MT-651 | 2.375" OD x 72" PIPE | 9 | - |
| 11 | MT197.01 | 36" SINGLE SUPPORT ARM | 3 | 62.84 LBS |
| 12 | GUB-4240 | 1/2" X 2-1/2" X 4" GALV U-BOLT | 18 | 0.56 LBS |
| 13 | GUB-4356 | 1/2" X 3-5/8" X 6" GALV U-BOLT | 18 | 0.82 LBS |

PARTS LIST FOR USE WITH MC-K6M-B

| T-FRAME # | PIPE | DESCRIPTION | QTY | WEIGHT |
|---------------|-----------|---------------------------|-----|-------------|
| MC-K12M-B | - | BASE KIT | 0 | 747.37 LBS |
| MC-K12M-6-72 | MT-651 | 2-3/8" OD X 72" GALV PIPE | 6 | 946.69 LBS |
| MC-K12M-6-96 | MT-651-96 | 2-3/8" OD X 96" GALV PIPE | 6 | 990.26 LBS |
| MC-K12M-9-72 | MT-651 | 2-3/8" OD X 72" GALV PIPE | 9 | 1046.35 LBS |
| MC-K12M-9-96 | MT-651-96 | 2-3/8" OD X 96" GALV PIPE | 9 | 1111.76 LBS |
| MC-K12M-12-72 | MT-651 | 2-3/8" OD X 72" GALV PIPE | 12 | 1146.01 LBS |
| MC-K12M-12-96 | MT-651-96 | 2-3/8" OD X 96" GALV PIPE | 12 | 1233.22 LBS |




MC-K12M-9-72 SHOWN



DETAIL C
SCALE 1 : 12

NOTES:

1. ALL METRIC DIMENSIONS ARE IN BRACKETS.

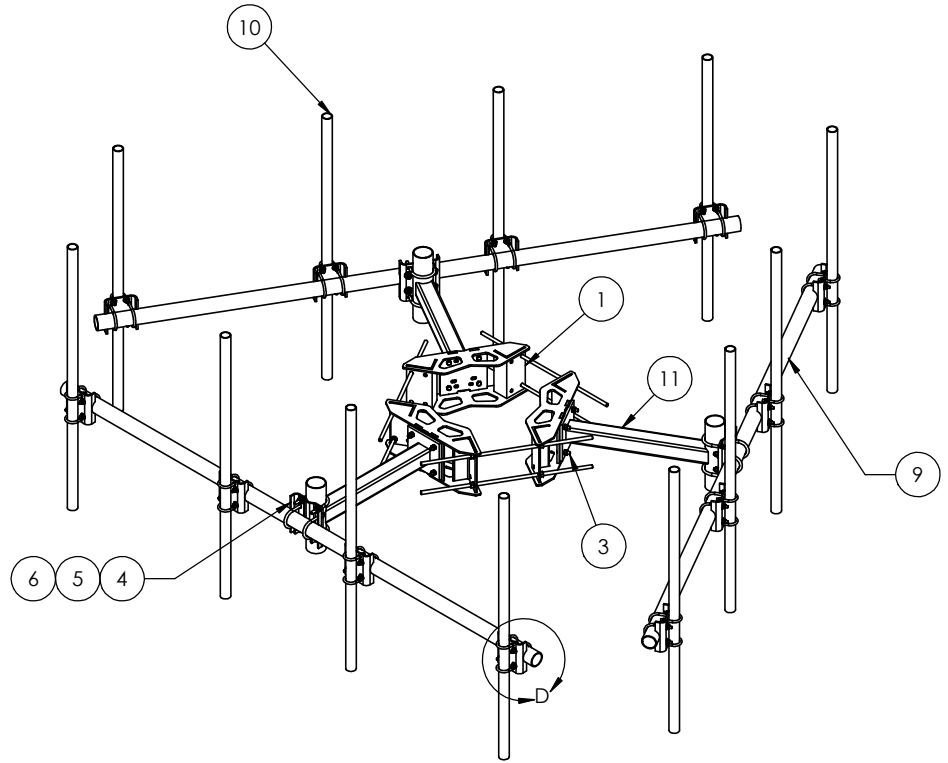
| | | | | |
|--|--|--|---|--|
| <small>These drawings and specifications are the proprietary property of ANDREW CORPORATION and may be used only for the specific purpose authorized in writing by Andrew Corporation.</small> | | DRAWN BY: MSM CHECKED BY: TP DATE: 02/08/10 REVISION: D | SHEET: 3 of 4 SCALE: NTS MATERIAL: A36, A53 FINISH: GALV A123 WEIGHT: SEE TABLE | PART NUMBER: MC-K12M-B SERIES DESCRIPTION: Monopole Co-Location T-Frame, Nine 2-3/8" x 72" Pipe Mounts DRAWING TYPE: ASSEMBLY DRAWING  WESTCHESTER, IL. 60154 U.S.A. |
|--|--|--|---|--|

DO NOT SCALE THIS PRINT

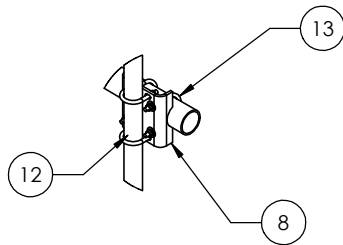
| ITEM | PART NO. | DESCRIPTION | QTY. | WEIGHT |
|------|-------------|------------------------------------|------|------------|
| 1 | MC-RM1550-3 | 12" - 50" OD RINGMOUNT | 1 | 230.42 LBS |
| 2 | MT197H | HARDWARE KIT (NEXT ITEM) | 3 | |
| 3 | GB-0524A | 5/8" X 2-1/2" GALV BOLT KIT (A325) | 12 | 0.31 LBS |
| 4 | MT216.13 | CENTER BRACKET | 3 | 11.80 LBS |
| 5 | GUB-53560 | 5/8" X 3-5/8" X 6" GALV U-BOLT | 6 | 1.30 LBS |
| 6 | GUB-5456 | 5/8" X 4-5/8" X 6 1/2" GALV U-BOLT | 6 | 1.43 LBS |
| 7 | MT-219-H | HARDWARE KIT (Next 3 Items) | 12 | |
| 8 | MT21701 | PIPE MOUNT PLATE | 12 | 7.93 LBS |
| 9 | MT21601 | Ø3.5" O.D. X 150" PIPE | 3 | 94.20 LBS |
| 10 | MT-651 | 2.375" OD x 72" PIPE | 12 | - |
| 11 | MT197.01 | 36" SINGLE SUPPORT ARM | 3 | 62.84 LBS |
| 12 | GUB-4240 | 1/2" X 2-1/2" X 4" GALV U-BOLT | 24 | 0.56 LBS |
| 13 | GUB-4356 | 1/2" X 3-5/8" X 6" GALV U-BOLT | 24 | 0.82 LBS |

PARTS LIST FOR USE WITH MC-K6M-B

| T-FRAME | PIPE | DESCRIPTION | QTY | WEIGHT |
|---------------|-----------|---------------------------|-----|-------------|
| MC-K12M-B | - | BASE KIT | 0 | 747.37 LBS |
| MC-K12M-6-72 | MT-651 | 2-3/8" OD X 72" GALV PIPE | 6 | 946.69 LBS |
| MC-K12M-6-96 | MT-651-96 | 2-3/8" OD X 96" GALV PIPE | 6 | 990.26 LBS |
| MC-K12M-9-72 | MT-651 | 2-3/8" OD X 72" GALV PIPE | 9 | 1046.35 LBS |
| MC-K12M-9-96 | MT-651-96 | 2-3/8" OD X 96" GALV PIPE | 9 | 1111.76 LBS |
| MC-K12M-12-72 | MT-651 | 2-3/8" OD X 72" GALV PIPE | 12 | 1146.01 LBS |
| MC-K12M-12-96 | MT-651-96 | 2-3/8" OD X 96" GALV PIPE | 12 | 1233.22 LBS |




MC-K12M-12-72 SHOWN



DETAIL D
SCALE 1 : 16

NOTES:
1. ALL METRIC DIMENSIONS ARE IN BRACKETS.

| | | | | |
|--|--|--|--|--|
| <small>These drawings and specifications are the proprietary property of ANDREW CORPORATION and may be used only for the specific purpose authorized in writing by Andrew Corporation.</small> | | DRAWN BY: MSM CHECKED BY: TP DATE: 02/08/10 REVISION: D | SHEET: 4 of 4 SCALE: NTS MATERIAL: A36, A53 FINISH: GALV A123 REFER: SEE TABLE | PART NUMBER: MC-K12M-B SERIES DESCRIPTION: Monopole Co-Location T-Frame, Twelve 2-3/8" x 72" Pipe Mounts DRAWING TYPE: ASSEMBLY DRAWING  WESTCHESTER, IL. 60154 U.S.A. |
|--|--|--|--|--|

DO NOT SCALE THIS PRINT