

4

3

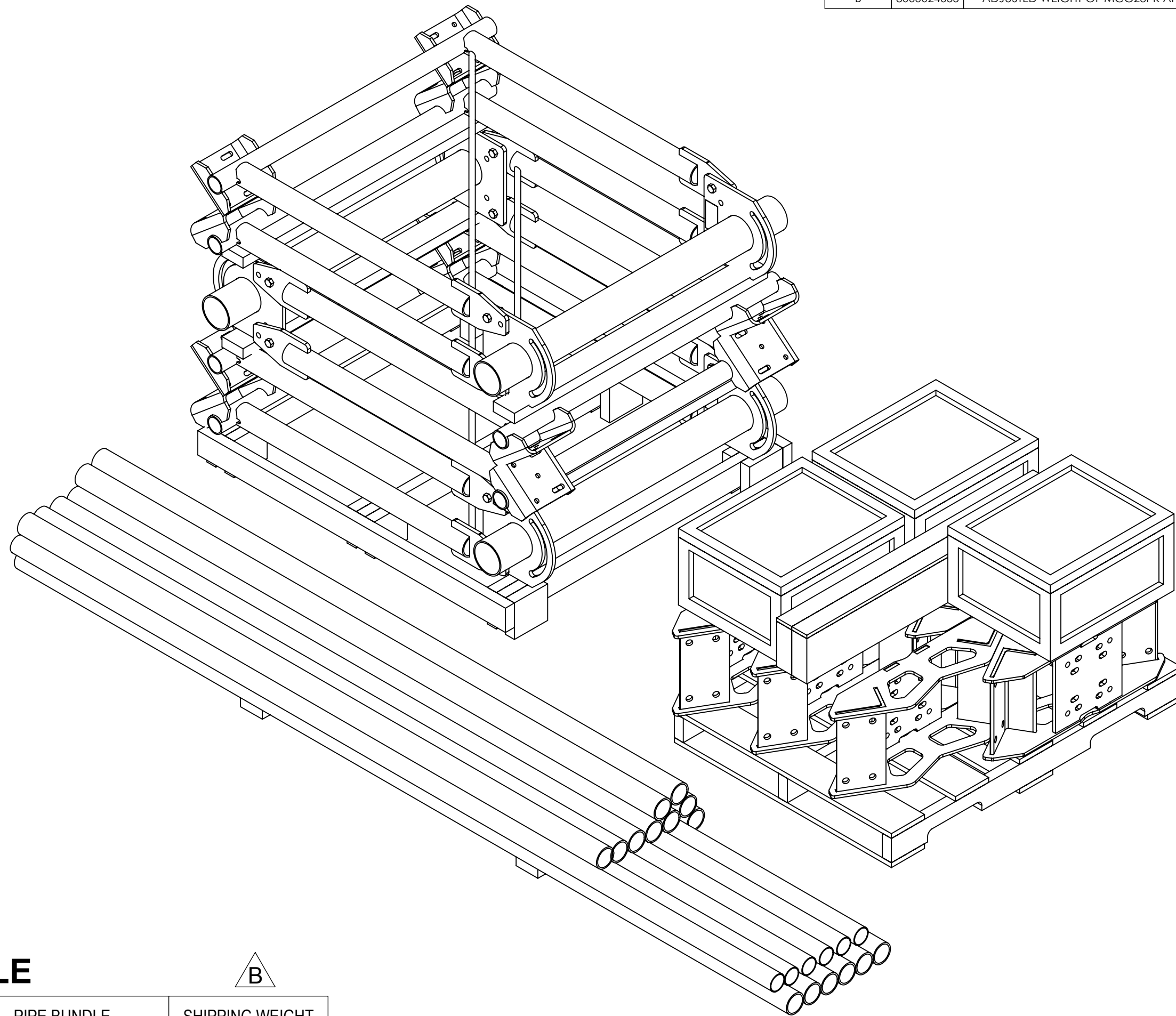
2

1

NOTES:

- 1.0 ALL METRIC DIMENSIONS ARE IN BRACKETS.
- 2.0 MARK PART WITH IDENTIFICATION NUMBER.

REVISIONS				
REV.	ECN	DESCRIPTION	BY	DATE
A	8000022034	INITIAL RELEASE	DRR	04/11/17
B	8000024655	ADJUSTED WEIGHT OF MCG23PK AND ALL TOTALS	DRR	07/11/17



MCG23HDX SERIES TABLE

B

KIT PART NUMBER	DESCRIPTION	PIPE BUNDLE	SHIPPING WEIGHT
MCG23HDX-10M-12126	COLO SECTOR FRAME 10'-6" FACE, (12) 126" ANTENNA PIPE	MCG23HDX10M12126SB	2812 LBS
MCG23HDX-10M-12-96	COLO SECTOR FRAME 10'-6" FACE, (12) 96" ANTENNA PIPE	MCG23HDX10M1296SB	2643 LBS
MCG23HDX-10M-9-126	COLO SECTOR FRAME 10'-6" FACE, (9) 126" ANTENNA PIPE	MCG23HDX10M9126SB	2599 LBS
MCG23HDX-10M-9-96	COLO SECTOR FRAME 10'-6" FACE, (9) 96" ANTENNA PIPE	MCG23HDX10M996SB	2498 LBS
MCG23HDX-10M-B	COLO SECTOR FRAME 10'-6" FACE, NO ANTENNA PIPE	MCG23HD10MBSB	2092 LBS
MCG23HDX-12M-12126	COLO SECTOR FRAME 12'-6" FACE, (12) 126" ANTENNA PIPE	MCG23HDX12M12126SB	2867 LBS
MCG23HDX-12M-12-96	COLO SECTOR FRAME 12'-6" FACE, (12) 96" ANTENNA PIPE	MCG23HDX12M1296SB	2702 LBS
MCG23HDX-12M-9-126	COLO SECTOR FRAME 12'-6" FACE, (9) 126" ANTENNA PIPE	MCG23HDX12M9126SB	2657 LBS
MCG23HDX-12M-9-96	COLO SECTOR FRAME 12'-6" FACE, (9) 96" ANTENNA PIPE	MCG23HDX12M996SB	2556 LBS
MCG23HDX-12M-B	COLO SECTOR FRAME 12'-6" FACE, NO ANTENNA PIPE	MCG23HD12MBSB	2150 LBS
MCG23HDX-14M-12126	COLO SECTOR FRAME 14'-6" FACE, (12) 126" ANTENNA PIPE	MCG23HDX14M12126SB	2947 LBS
MCG23HDX-14M-12-96	COLO SECTOR FRAME 14'-6" FACE, (12) 96" ANTENNA PIPE	MCG23HDX14M1296SB	2781 LBS
MCG23HDX-14M-9-126	COLO SECTOR FRAME 14'-6" FACE, (9) 126" ANTENNA PIPE	MCG23HDX14M9126SB	2738 LBS
MCG23HDX-14M-9-96	COLO SECTOR FRAME 14'-6" FACE, (9) 96" ANTENNA PIPE	MCG23HDX14M996SB	2626 LBS
MCG23HDX-14M-B	COLO SECTOR FRAME 14'-6" FACE, NO ANTENNA PIPE	MCG23HD14MBSB	2230 LBS

PATENT PENDING

COMMSCOPE, INC. OF NORTH CAROLINA

TOLERANCES		SAP MATERIAL MASTER	
0 PLACE X ± .25	2 PLACE .XX ± .06	MCG23HDX SERIES	
1 PLACE .X ± .12	ANGLES ± 2°		
FINISH		MATERIAL	
GALV A123		A36, A53, A500	
UNLESS OTHERWISE SPECIFIED DIMENSIONS ARE IN MILLIMETERS INTERPRET PER ISO STANDARDS HANDBOOK TECHNICAL DRAWINGS VOLUMES 1 & 2, THIRD EDITION (2002)	NAME	DATE	TITLE
	CE DRR	04/11/17	MONOPOLE COLOCATION SECTOR FRAME, HD
	RW		
	AD		SCALE
RE TP	04/11/17	1:32	MCG23HDX SERIES
ECN 8000022034	WORK AREA	MODEL	DRAWING
C		VERSION	STATUS
		REVISION	VERSION
		REVISION	STATUS
		REVISION	REVISION
			SHEET
			B
			1 OF 7

ITEM	PART NO.	DESCRIPTION	QTY.	WEIGHT	NOTE NO.
1	MCG23PK	MCG23 FRAME PACK	1	704.87 LBS	
2	MCG23HDXHK3	HARDWARE KIT FOR MCG23HDX SERIES	1	824.47 LBS	
3	MCG23HDXxxxxSB	STEEL PIPE BUNDLE, SEE TABLE	1	-	

B

4

3

2

1

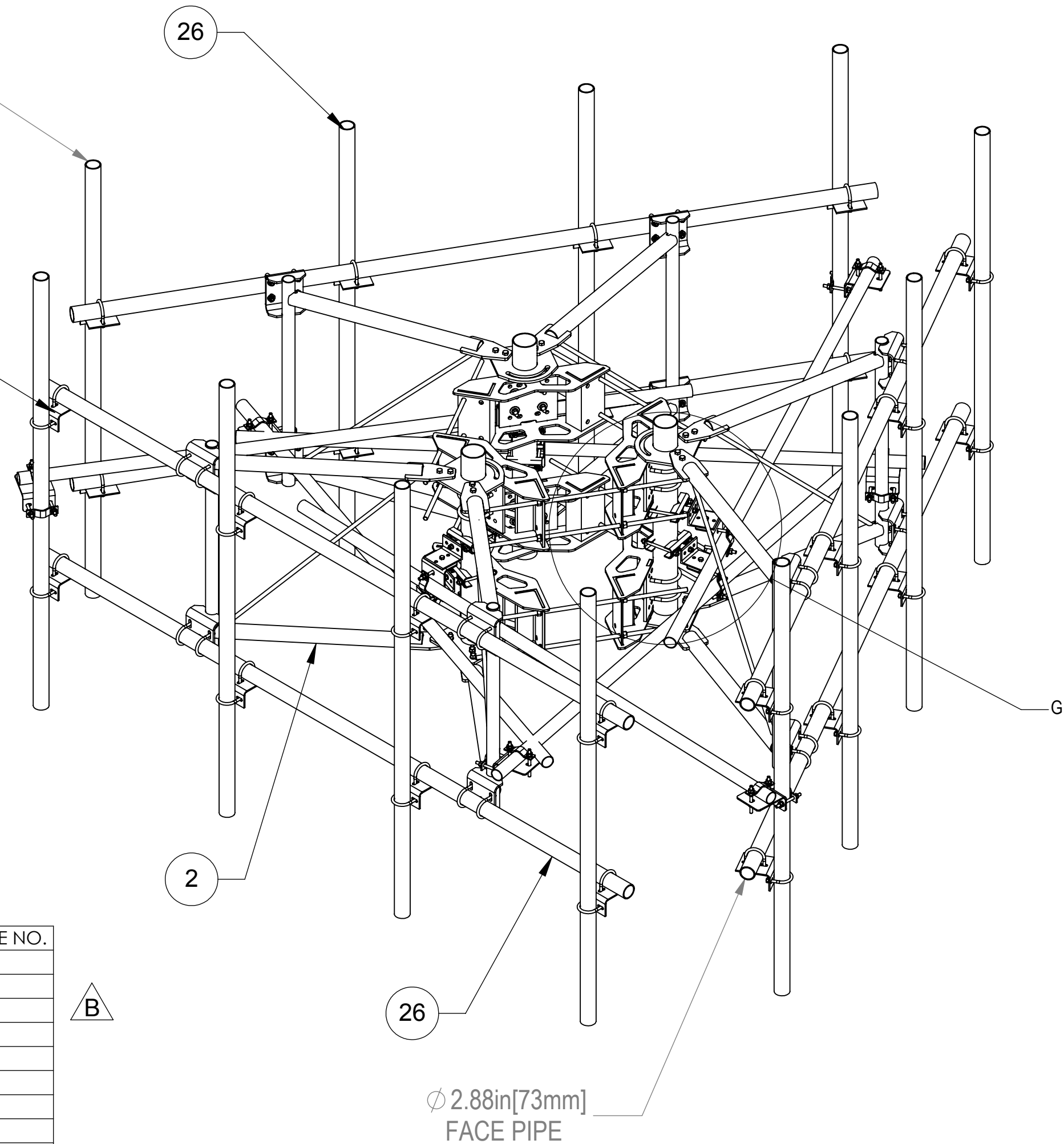
NOTES:

1.0 ALL METRIC DIMENSIONS ARE IN BRACKETS.

TABLE 1

KIT PART NUMBER	ITEM #25 - FACE PIPE	ITEM #26 - VERTICAL PIPE	ITEM #26 QTY	WEIGHT
MCG23HDX-10M-12-126	SFG23126HD	MT-546-126	12	2693 LBS
MCG23HDX-10M-12-96	SFG23126HD	MT54696	12	2524 LBS
MCG23HDX-10M-9-126	SFG23126HD	MT-546-126	9	2480 LBS
MCG23HDX-10M-9-96	SFG23126HD	MT54696	9	2379 LBS
MCG23HDX-10M-B	SFG23126HD	-	-	1973 LBS
MCG23HDX-12M-12-126	MT546150	MT-546-126	12	2748 LBS
MCG23HDX-12M-12-96	MT546150	MT54696	12	2583 LBS
MCG23HDX-12M-9-126	MT546150	MT-546-126	9	2538 LBS
MCG23HDX-12M-9-96	MT546150	MT54696	9	2437 LBS
MCG23HDX-12M-B	MT546150	-	-	2031 LBS
MCG23HDX-14M-12-126	SFG23174HD	MT-546-126	12	2828 LBS
MCG23HDX-14M-12-96	SFG23174HD	MT54696	12	2662 LBS
MCG23HDX-14M-9-126	SFG23174HD	MT-546-126	9	2619 LBS
MCG23HDX-14M-9-96	SFG23174HD	MT54696	9	2507 LBS
MCG23HDX-14M-B	SFG23174HD	-	-	2111 LBS

ITEM	PART NO.	DESCRIPTION	QTY.	WEIGHT	NOTE NO.
1	SFG2302	ARM MOUNT WELDMENT	3	59.80 LBS	
2	SFG2367L	SECTOR FRAME ARM LEFT WELDMENT	3	81.38 LBS	
3	SFG2367R	SECTOR FRAME ARM RIGHT WELDMENT	3	81.38 LBS	
4	GB-05225	5/8" X 2-1/4" GALV BOLT KIT	24	0.28 LBS	
5	GUB-5456	5/8" X 4-5/8" X 6 1/2" GALV U-BOLT	12	1.42 LBS	
6	OS15034	3/4" X 1-1/2" OFFSET COLLAR	6	0.14 LBS	
7	SAB01	FORMED CLAMP	12	1.35 LBS	
8	XA2020.01	CROSS OVER ANGLE	6	2.65 LBS	
9	GB-04125	1/2" X 1-1/4" GALV BOLT KIT	6	0.12 LBS	
10	GB-04265	1/2" X 2-3/4" GALV BOLT KIT	6	0.20 LBS	
11	RM1550301	15"-50" 3 SECTOR RM WLDMNT	6	66.20 LBS	
12	MT38440	3/4" X 40" GALV THREADED ROD GRADE B7	12	4.98 LBS	
13	GWL-06	3/4" GALV LOCK WASHER	24	0.04 LBS	
14	GN-06	3/4" GALV HEX NUT	24	0.15 LBS	
15	GUB-4340	1/2" X 3" X 4" GALV U-BOLT	72	0.57 LBS	
16	XAU01	Angle BRK	24	3.59 LBS	
17	MT-379-8	1/2" X 8" GALV THREADED ROD	12	0.44 LBS	
18	ACP10	1.5" - 3.5" O.D. CLAMP HALF	18	0.61 LBS	
19	SABU01	Tie Back Mounting Angle	12	4.05 LBS	
20	MT-379-6	1/2" X 6" GALV THREADED ROD	36	0.33 LBS	
21	GWF04A	1/2" GALV FLAT WASHER (A325)	96	0.02 LBS	
22	GWL-04	1/2" GALV LOCK WASHER	96	0.01 LBS	
23	GN-04A	1/2" GALV HEX NUT (A194 2H)	96	0.07 LBS	
24	MT-537	Ø 2.375" OD x 126" PIPE	6	30.25 LBS	
25	VERTICAL PIPE SEE TABLE 1	Ø 2.88" OD PIPE	SEE TABLE	-	
26	SFG23150HD	152" SCH 40 PIPE 2-7/8" OD	6	72.99 LBS	



DIAGONALS MUST BE INSTALLED AS SHOWN

PATENT PENDING

COMMSCOPE, INC. OF NORTH CAROLINA

TITLE				
MONOPOLE COLOCATION SECTOR FRAME, HD				
SIZE	SCALE	DOCUMENT NO.		
C	1:20	MCG23HDX SERIES		
DRAWING		REVISION		SHEET
VERSION	STATUS	REVISION	2 OF 7	
		B		

4

3

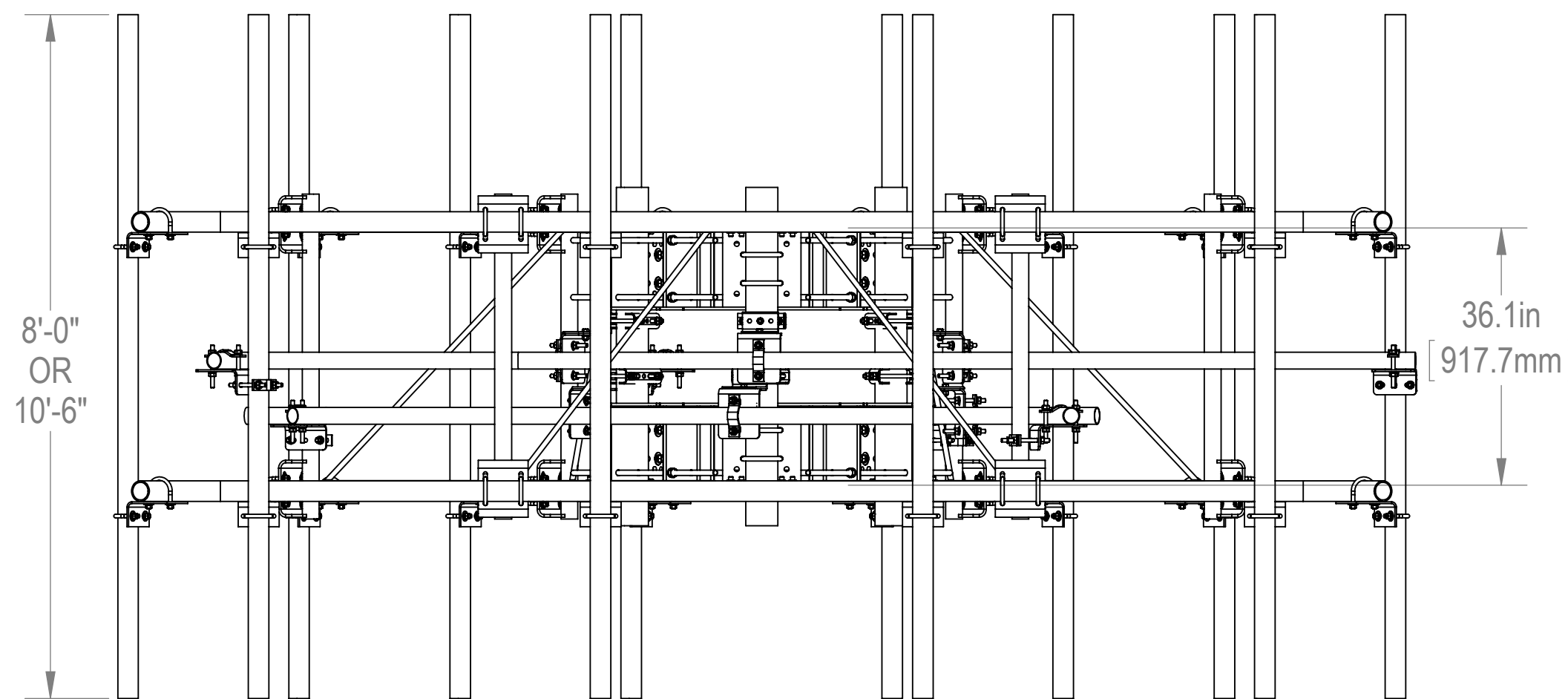
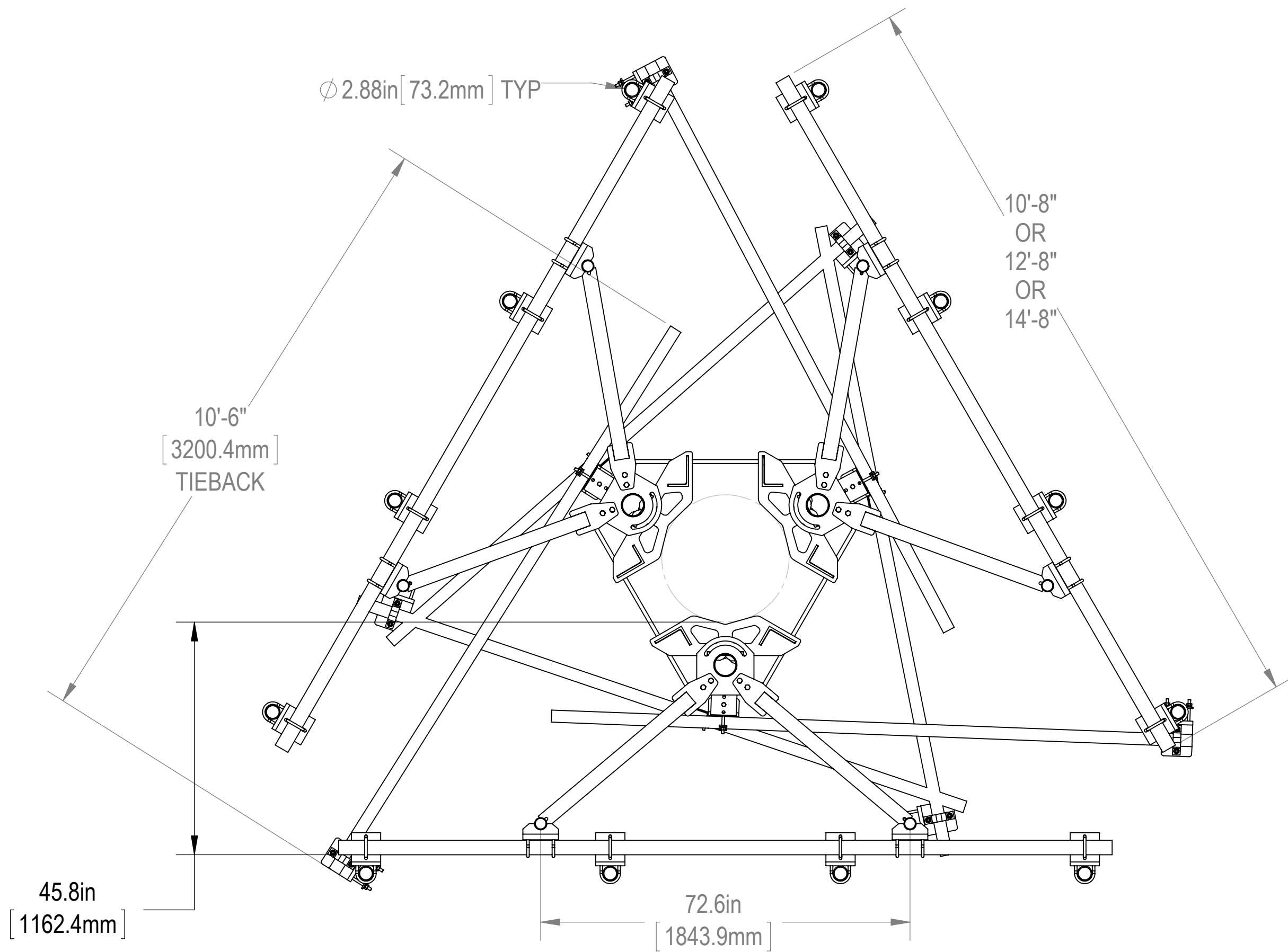
2

1

NOTES:

TIP SEPERATION CHART

FACE PIPE LENGTH	RINGMOUNT OD	TIP SEPERATION
10'	15"	22.93"
10'	50"	54.44"
12'	15"	10.93"
12'	50"	42.44"
14'	15"	0.5"
14'	50"	30.5"



PATENT PENDING

COMMScope, INC. OF NORTH CAROLINA

TITLE
MONOPOLE COLOCATION SECTOR FRAME, HD

SIZE C	SCALE 1:20	DOCUMENT NO. MCG23HD SERIES
------------------	----------------------	---------------------------------------

DRAWING			SHEET 3 OF 7
VERSION	STATUS	REVISION B	

© 2015 CommScope, Inc. Confidential

4

3

2

1

D

D

C

C

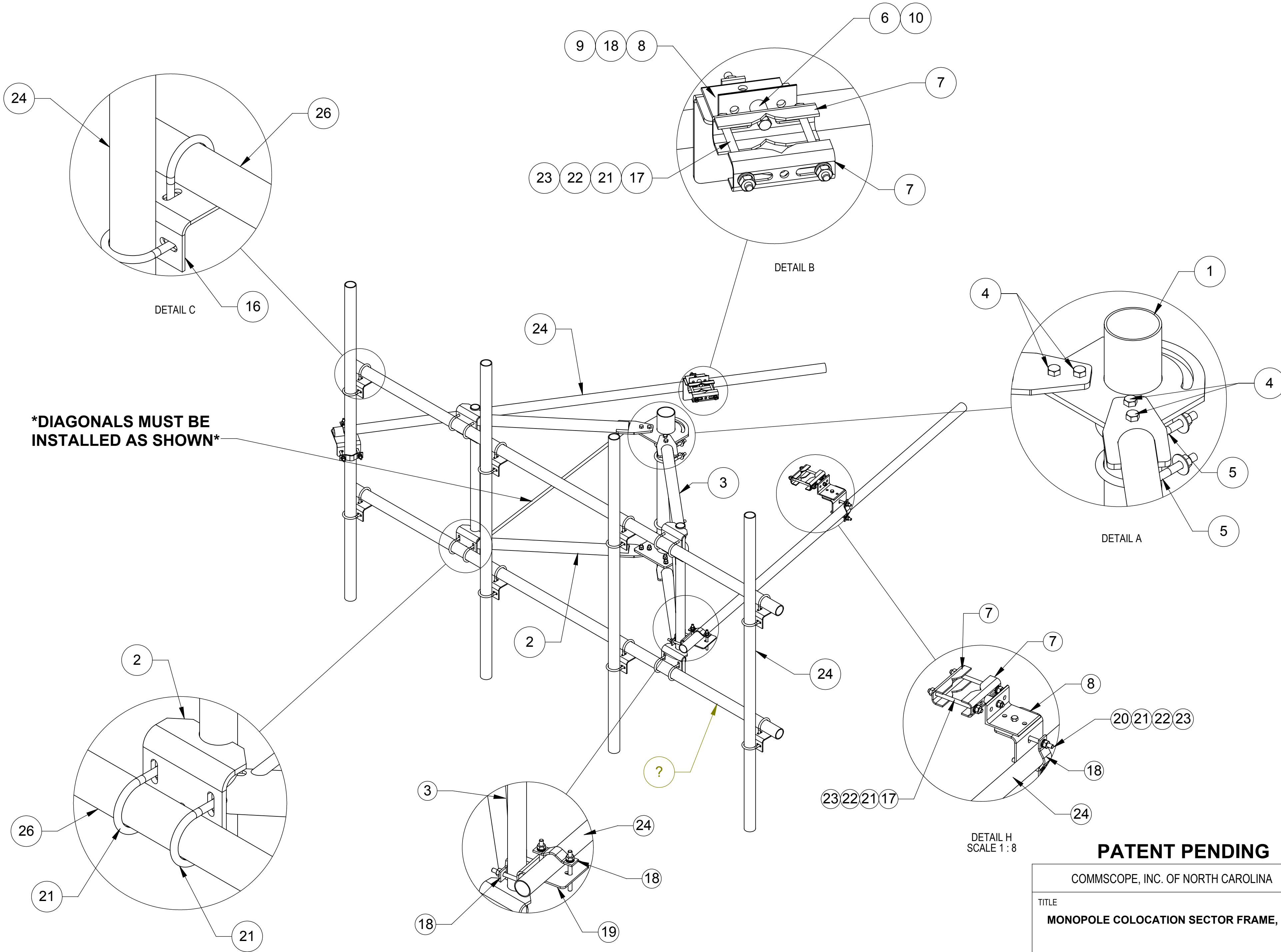
B

B

A

A

NOTES:



DIAGONALS MUST BE INSTALLED AS SHOWN

PATENT PENDING

COMMSCOPE, INC. OF NORTH CAROLINA

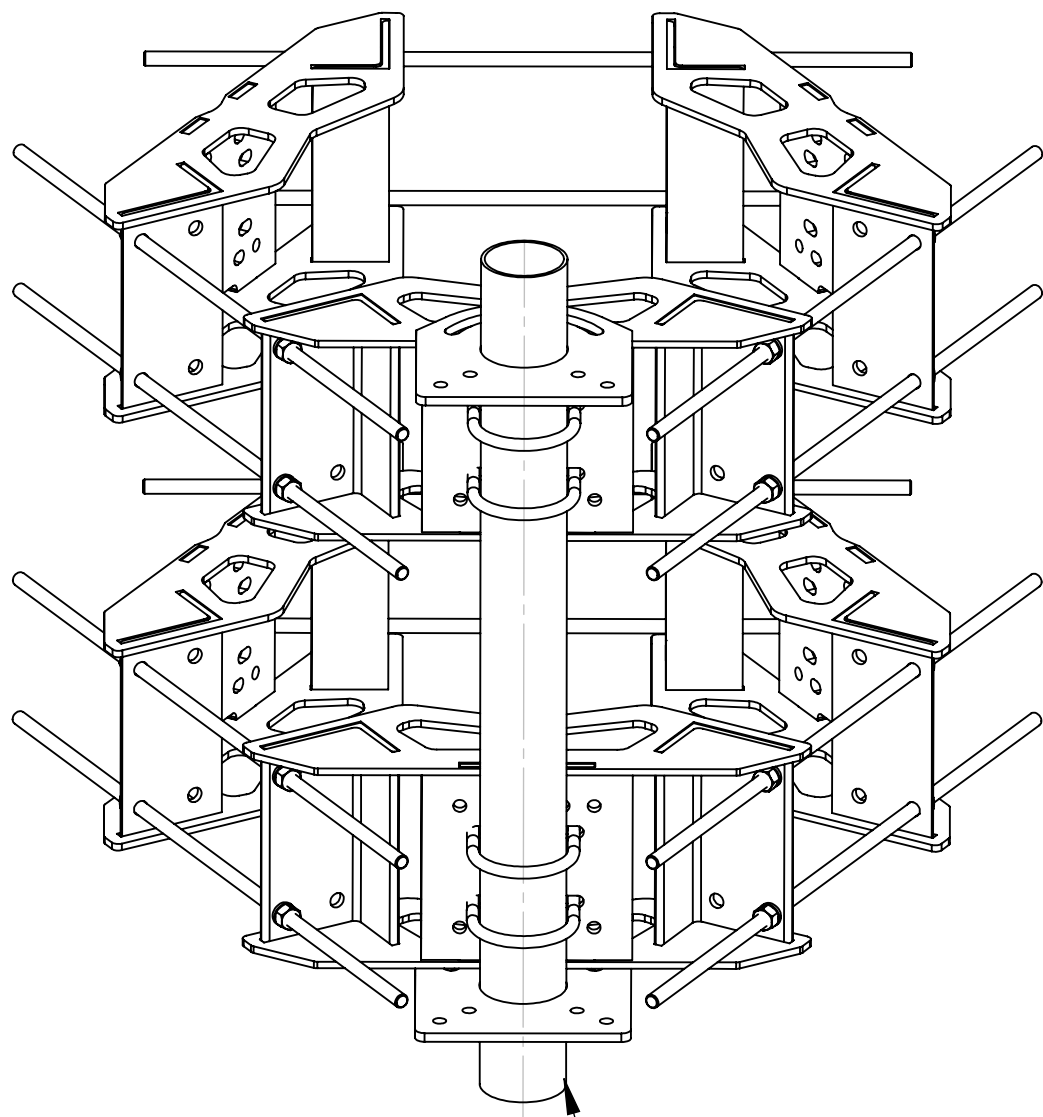
TITLE
MONOPOLE COLOCATION SECTOR FRAME, HD

SIZE C	SCALE 1:16	DOCUMENT NO. MCG23HD SERIES
------------------	----------------------	---------------------------------------

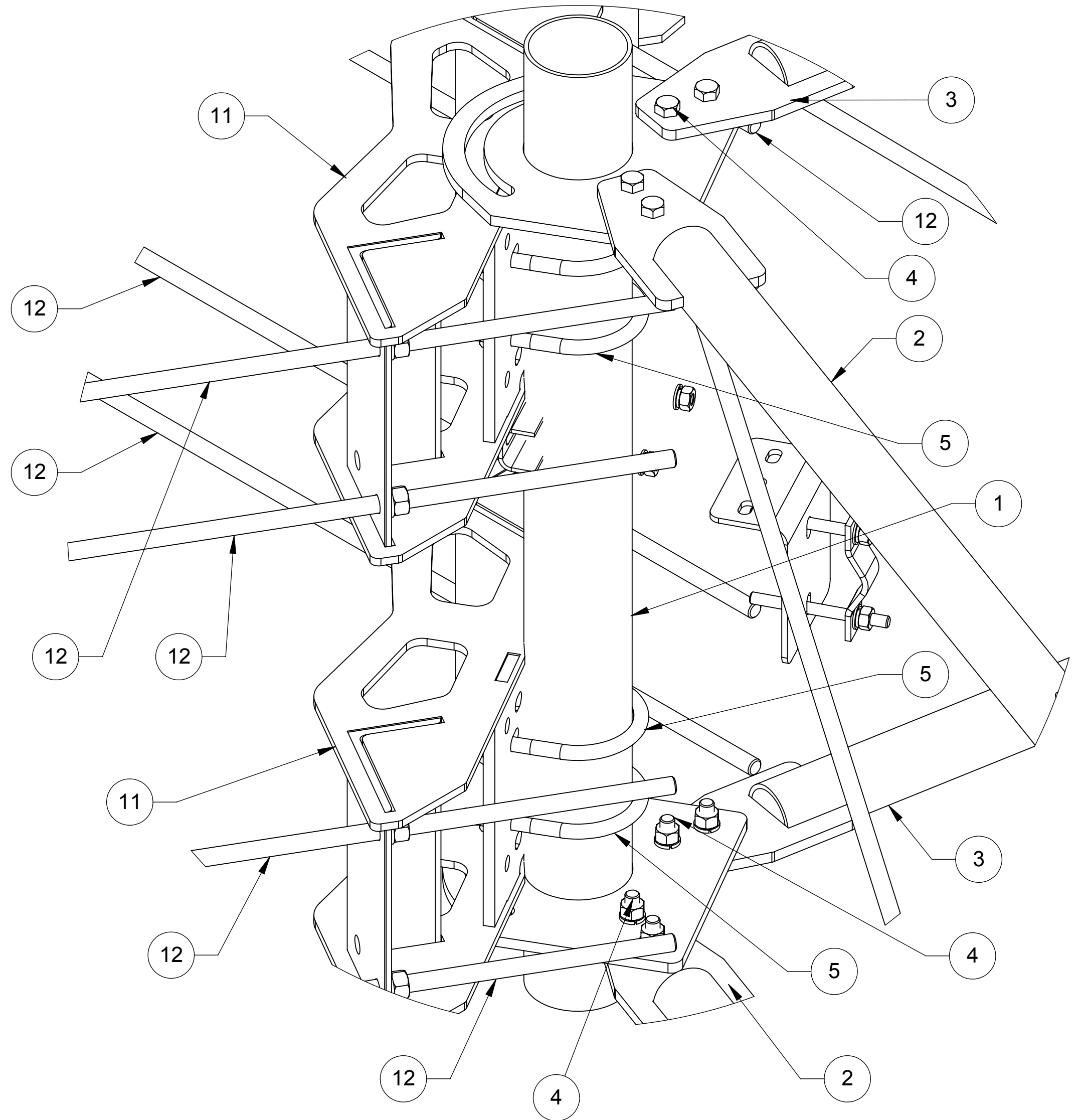
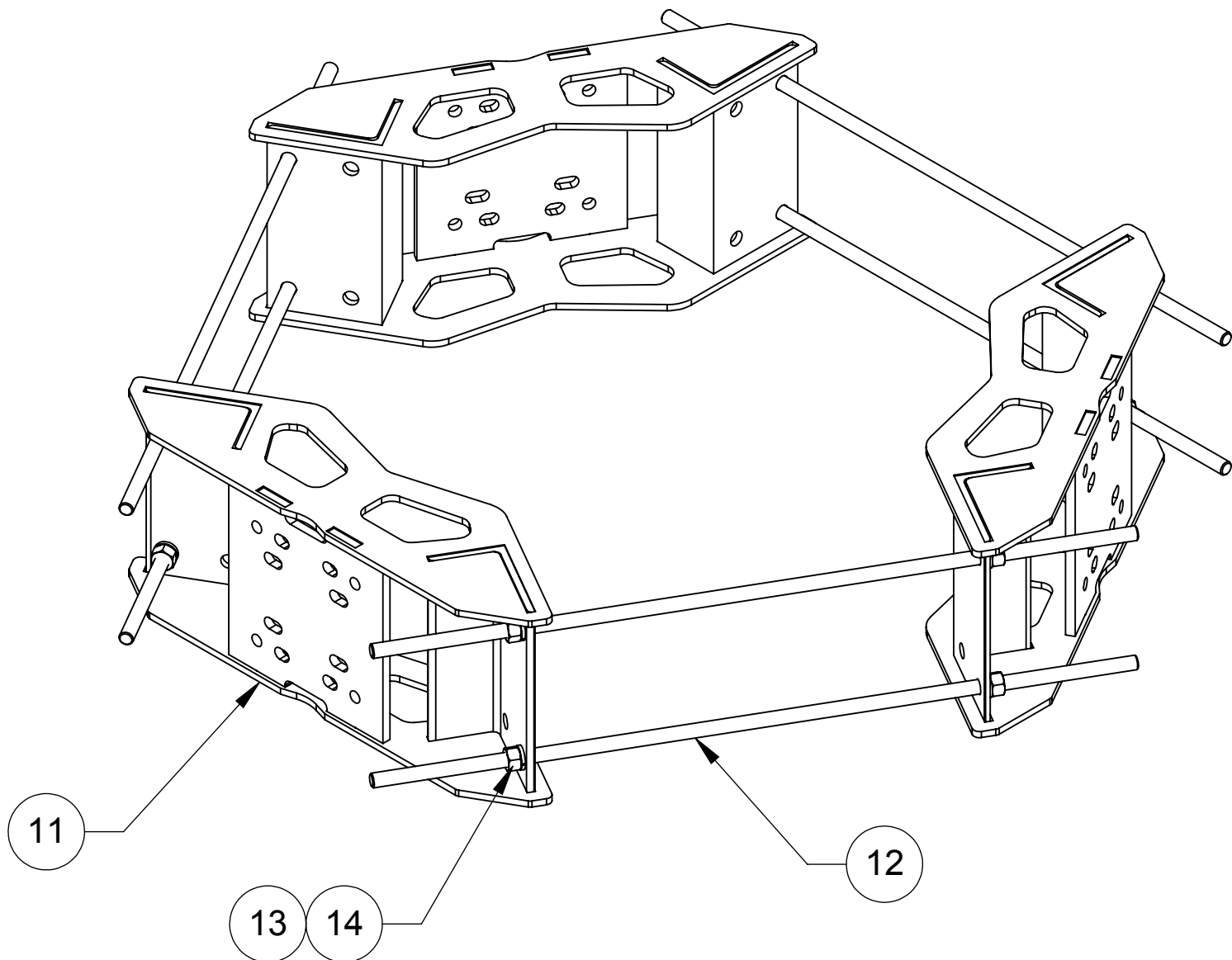
DRAWING			SHEET 4 OF 7
VERSION	STATUS	REVISION B	

© 2015 CommScope, Inc. Confidential

NOTES:



RINGMOUNT SECTOR CENTERLINE
MUST VERTICALLY ALIGN TO ALLOW
SECTOR FRAME SPLINE PROPER MOUNTING



DETAIL G
SCALE 1:4

PATENT PENDING

COMMSCOPE, INC. OF NORTH CAROLINA

TITLE
MONOPOLE COLOCATION SECTOR FRAME, HD

SIZE C	SCALE 1:6	DOCUMENT NO. MCG23HD SERIES
------------------	---------------------	---------------------------------------

DRAWING			SHEET 5 OF 7
VERSION	STATUS	REVISION B	

© 2015 CommScope, Inc. Confidential

4

3

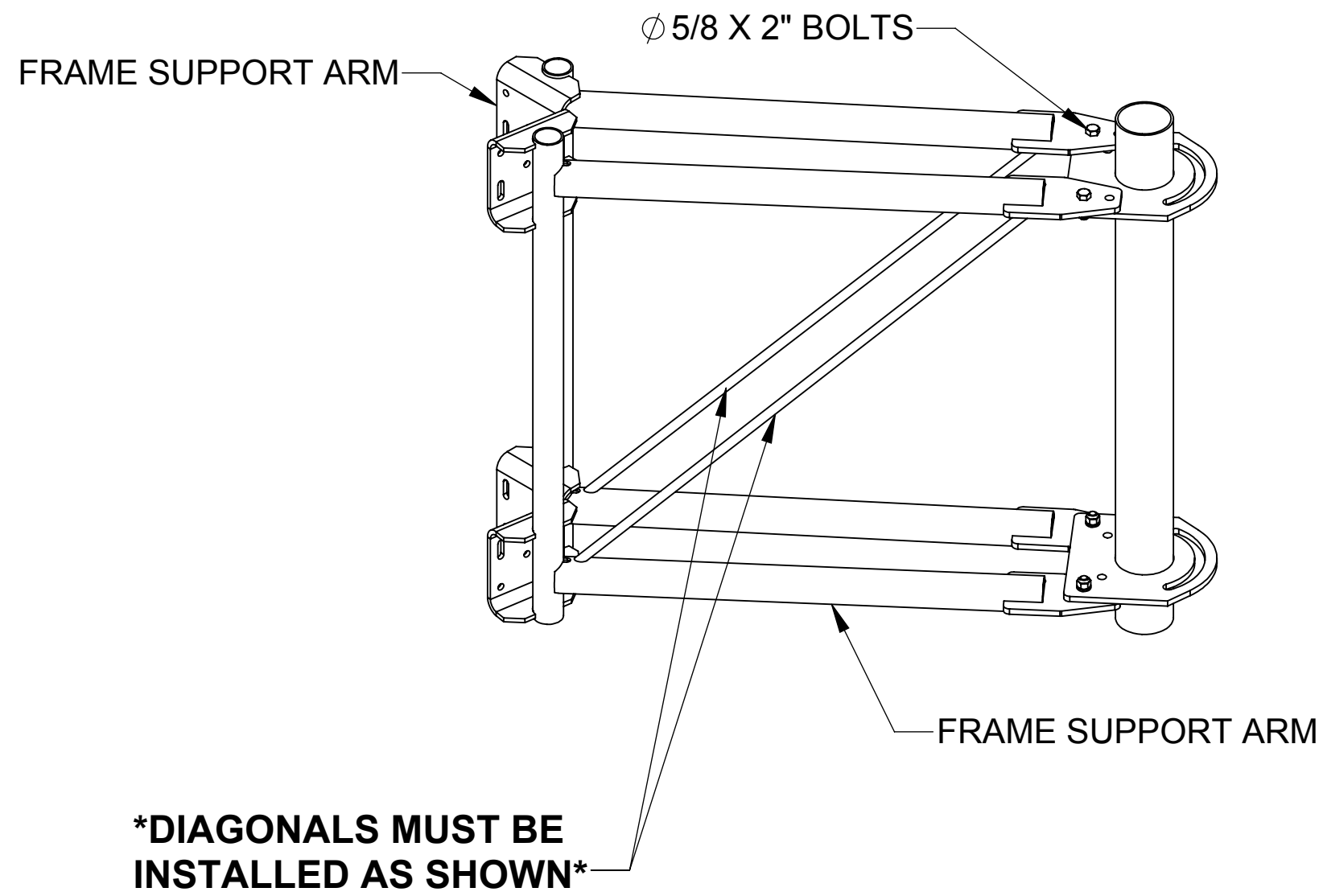
2

1

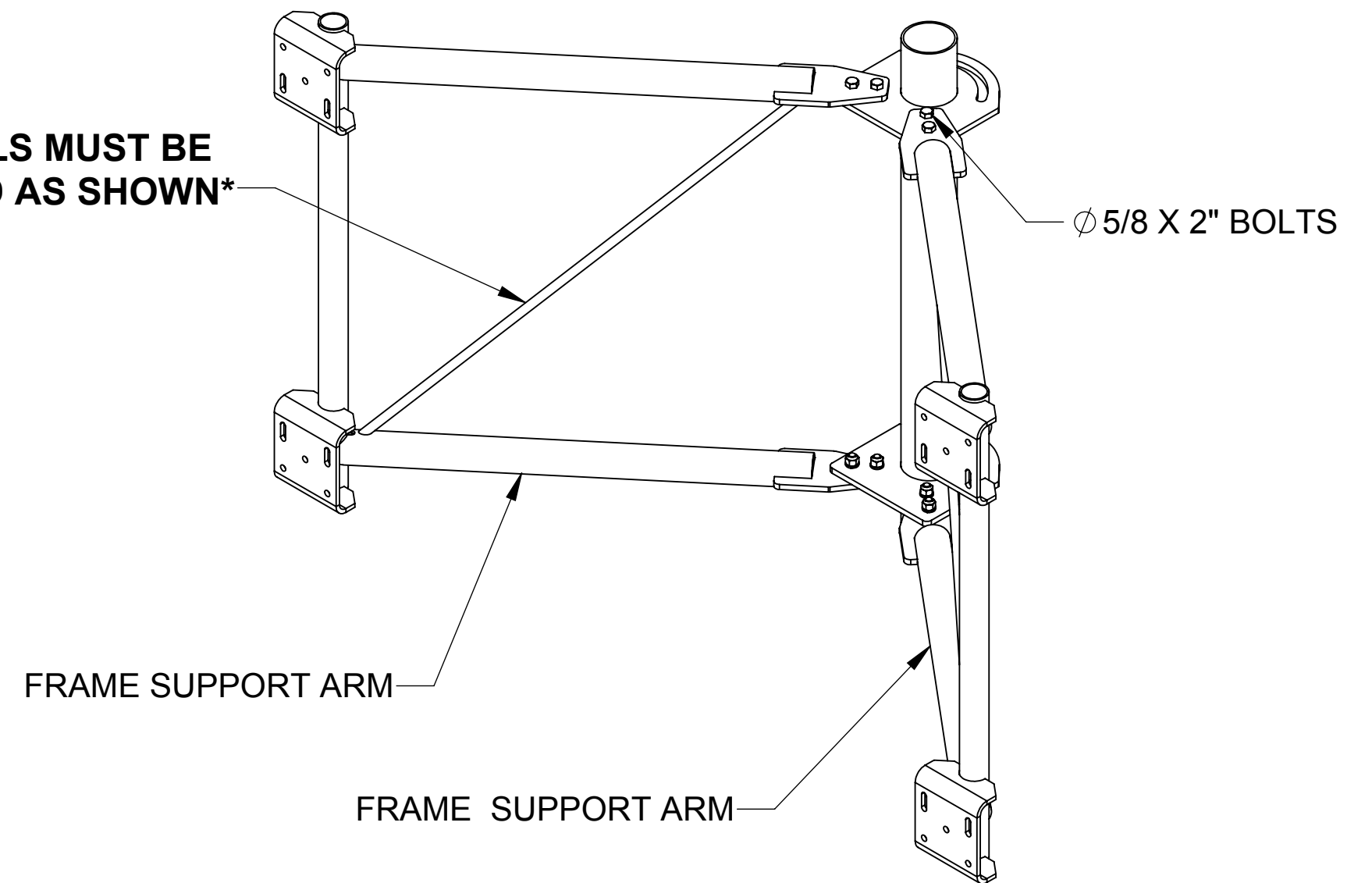
NOTES: **STEP 1: LOOSEN ϕ 5/8 HARDWARE TO OPEN FRAME SUPPORT ARMS.**

STEP 2: OPEN FRAME SUPPORT ARMS AND INSTALL (4) ϕ 5/8 X 2" BOLTS.

*** DO NOT TIGHTEN ϕ 5/8" BOLTS AT THIS TIME.***



DIAGONALS MUST BE INSTALLED AS SHOWN

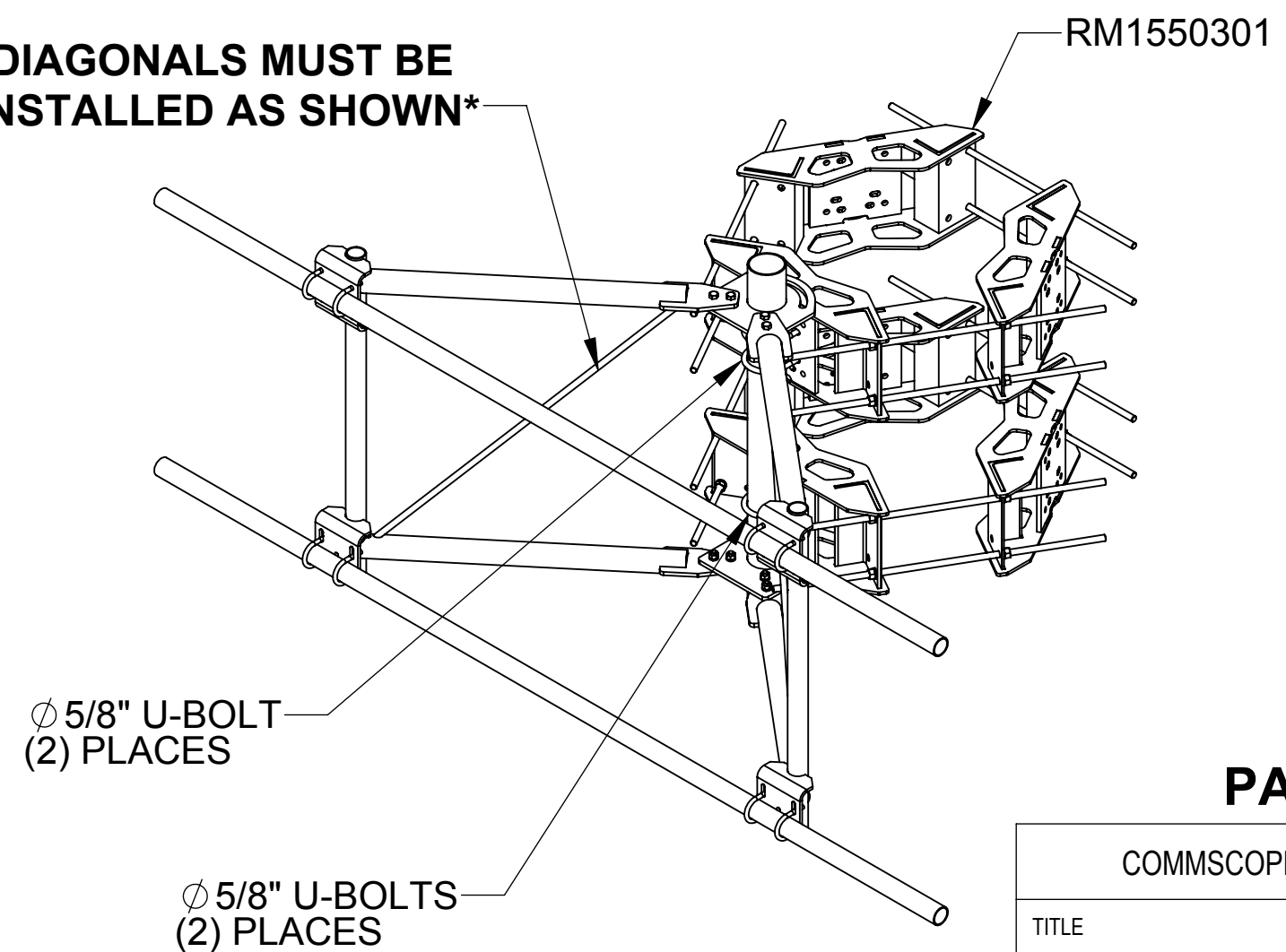
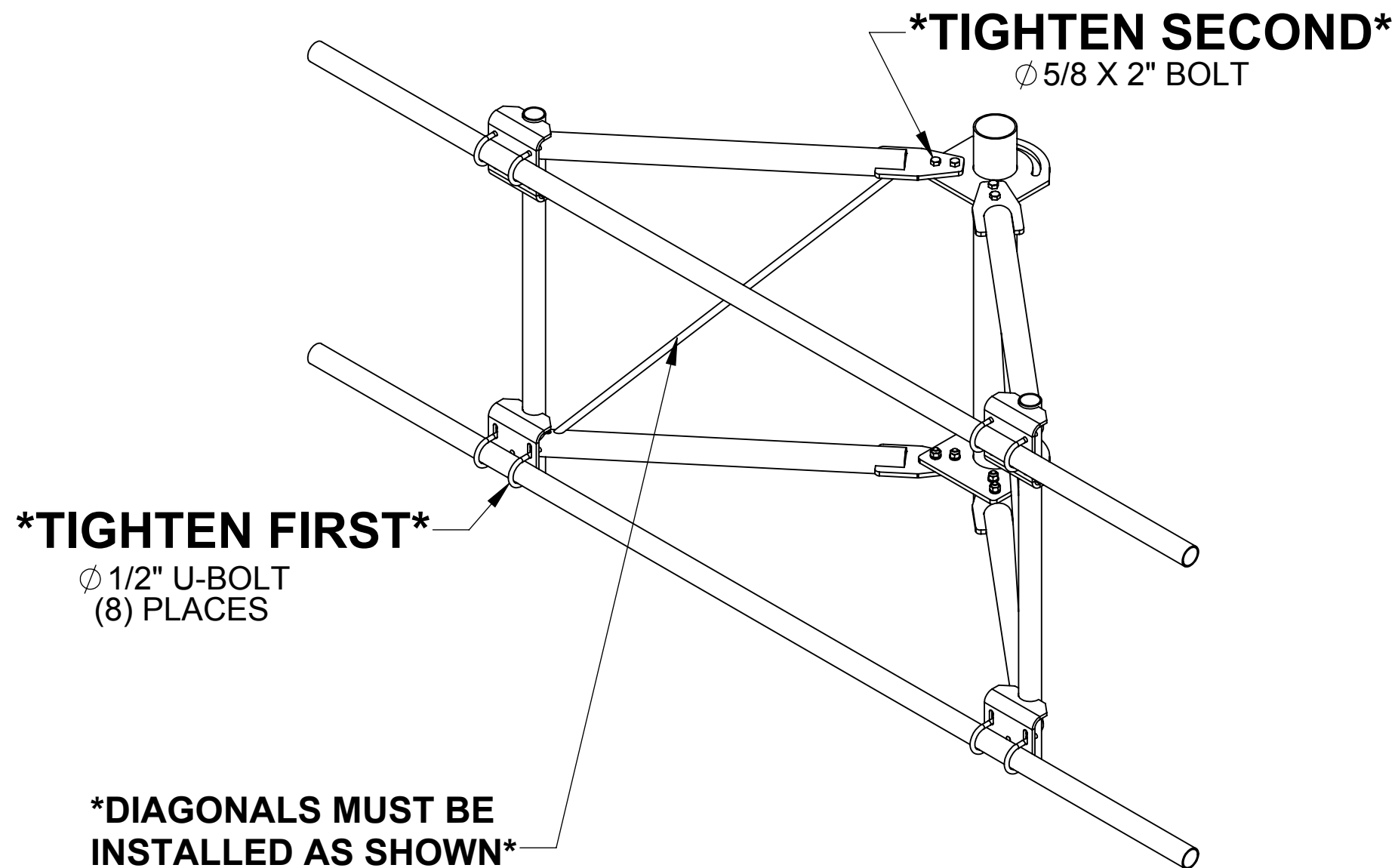


STEP 3: INSTALL FACE PIPES AND ϕ 1/2" U-BOLTS

STEP 4: ASSEMBLE TO RING MOUNT

TIGHTEN U-BOLTS FIRST AND ϕ 5/8" BOLTS SECOND

DIAGONALS MUST BE INSTALLED AS SHOWN



PATENT PENDING

COMMSCOPE, INC. OF NORTH CAROLINA

TITLE
MONOPOLE COLOCATION SECTOR FRAME

SIZE C	SCALE 1:6	DOCUMENT NO. MCG23 SERIES
------------------	---------------------	-------------------------------------

DRAWING		SHEET 6 OF 7
VERSION	REVISION B	

4

3

2

1

4

3

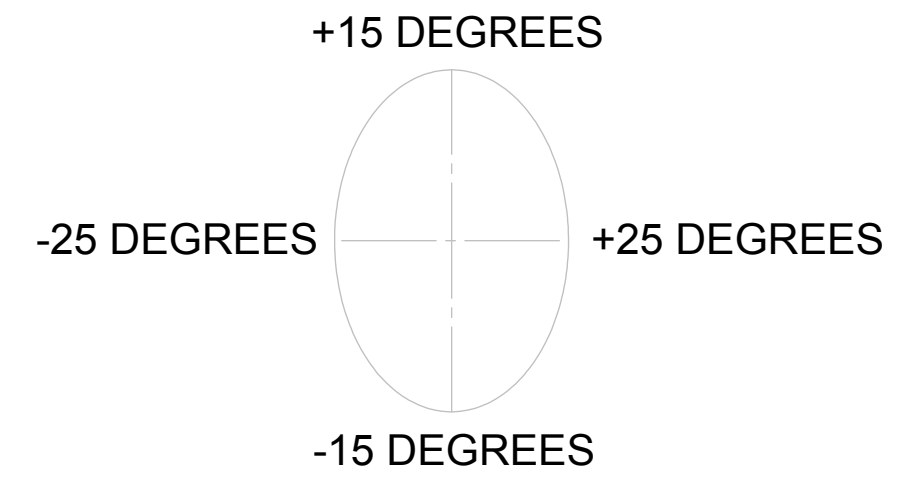
2

1

NOTES:

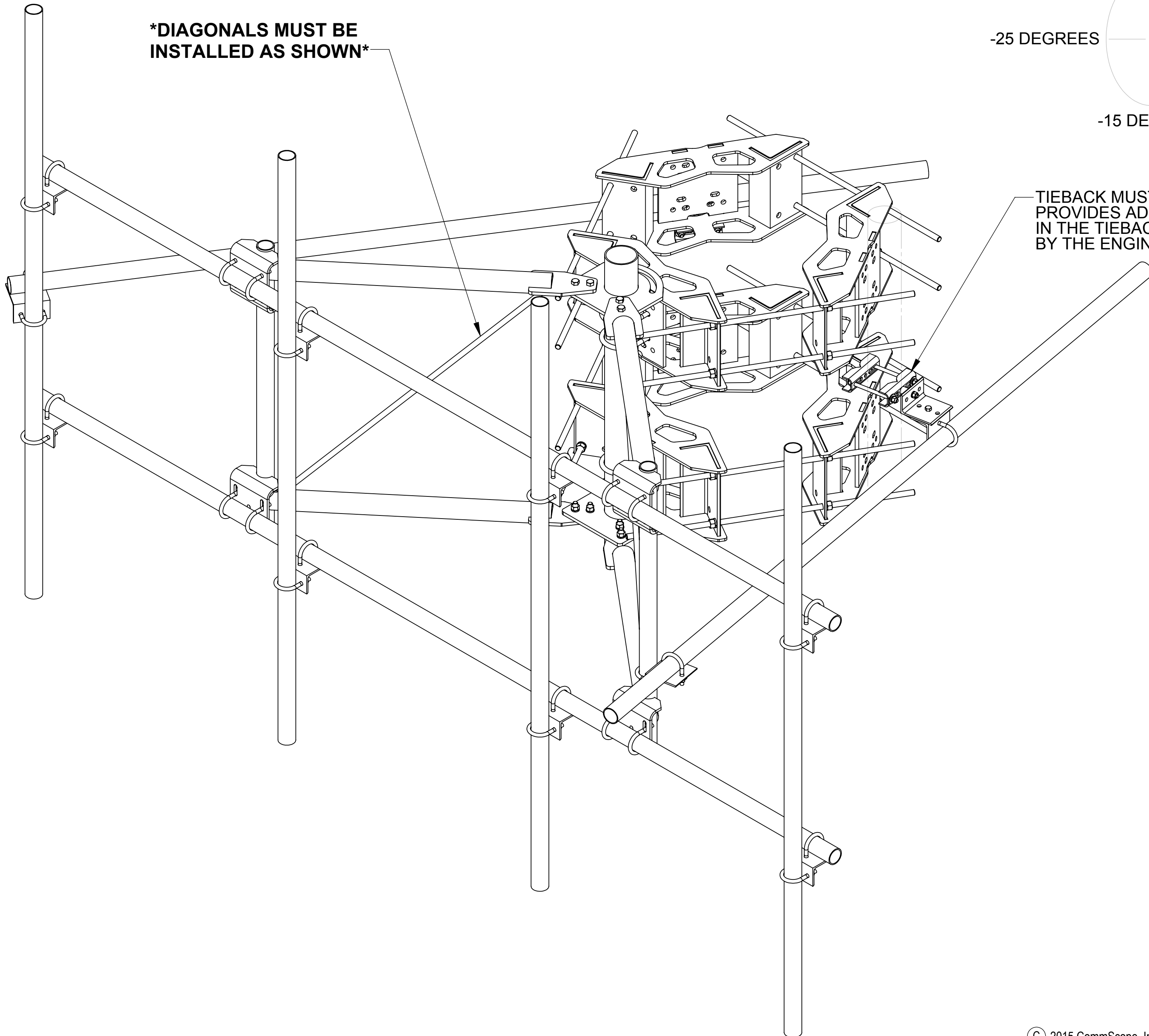
TIEBACK ANGLE RANGE DETAIL

- ± 15 DEGREES VERTICAL
- ± 25 DEGREES HORIZONTAL



DIAGONALS MUST BE INSTALLED AS SHOWN

TIEBACK MUST BE CONNECTED TO A RIGID MEMBER THAT PROVIDES ADEQUATE SUPPORT WITHIN THE LIMITS NOTED IN THE TIEBACK ANGLE RANGE DETAIL. UNLESS APPROVED BY THE ENGINEER OF RECORD.



PATENT PENDING

COMMSCOPE, INC. OF NORTH CAROLINA				
TITLE MONOPOLE COLOCATION SECTOR FRAME				
SIZE C	SCALE 1:6	DOCUMENT NO. MCG23 SERIES		
DRAWING		VERSION	STATUS	REVISION
				B
				SHEET 7 OF 7

4

3

2

1

D

D

C

C

B

B

A

A