

ITEM	PART NO.	DESCRIPTION	QTY.	WEIGHT
1	MC-RM1550-3	12" - 50" OD RINGMOUNT	1	203.94 LBS
2	MC-DPM-B	Monopole Colocation Dual Pipe Mount Base Kit	3	136.86 LBS
3	SEE TABLE	PIPE MOUNT KIT, PIPE NOT INCLUDED	6	SEE TABLE
4	SEE TABLE	BULK PIPE	6	SEE TABLE

REVISIONS				
REV.	ZONE	DESCRIPTION	BY	DATE
A		INITIAL RELEASE	MSM	10/05/09
B		UPDATE VIEW ADD SHEET 2	MSM	11/07/11

**Ø 2-3/8" OD PIPE TABLE**

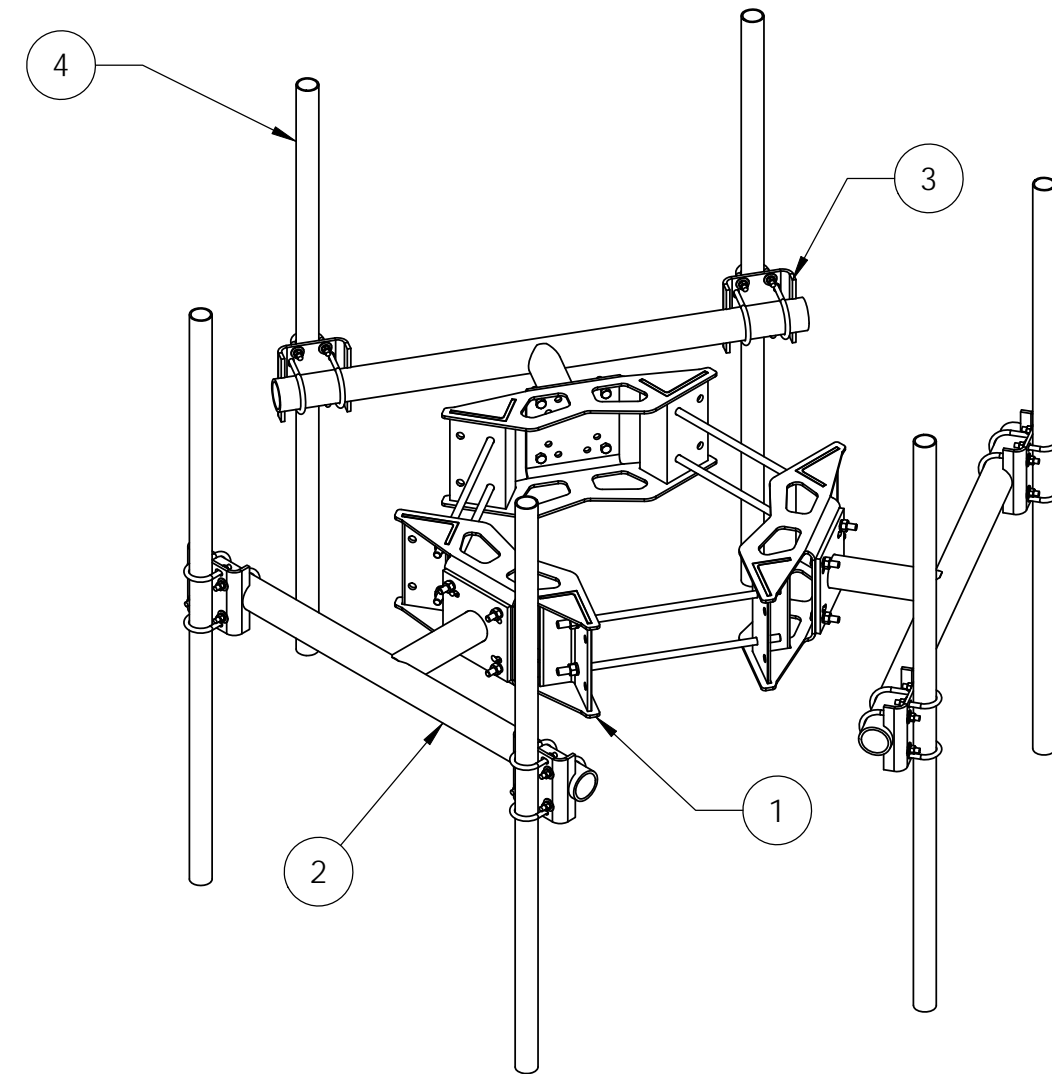
PART NO.	DESCRIPTION						WEIGHT
		MT-219-H	MT-651	MT-651-84	MT-651-96	MT-537	
MC-DPM2M-6-B	Monopole Colocation Dual Pipe, 2-3/8"OD, 15"-50" Monopole, Antenna Pipe Separate	6	-	-	-	-	483.73 LBS
MC-DPM2M-6-72	Monopole Colocation Dual Pipe, 15"-50" Monopole, 2-3/8"OD x 72" Pipe	6	6	-	-	-	614.53 LBS
MC-DPM2M-6-84	Monopole Colocation Dual Pipe, 15"-50" Monopole, 2-3/8"OD x 84" Pipe	6	-	6	-	-	637.70 LBS
MC-DPM2M-6-96	Monopole Colocation Dual Pipe, 15"-50" Monopole, 2-3/8"OD x 96" Pipe	6	-	-	6	-	658.13 LBS
MC-DPM2M-6-126	Monopole Colocation Dual Pipe, 15"-50" Monopole, 2-3/8"OD x 126" Pipe	6	-	-	-	6	714.69 LBS

**Ø 2-7/8" OD PIPE TABLE**

PART NO.	DESCRIPTION						WEIGHT
		MT-219M-H	MT54672	MT54684	MT54696	MT-546-126	
MC-DPM3M-6-B	Monopole Colocation Dual Pipe, 2-7/8"OD, 15"-50" Monopole, Antenna Pipe Separate	6	-	-	-	-	491.91 LBS
MC-DPM3M-6-72	Monopole Colocation Dual Pipe, 15"-50" Monopole, 2-7/8"OD x 72" Pipe	6	6	-	-	-	699.35 LBS
MC-DPM3M-6-84	Monopole Colocation Dual Pipe, 15"-50" Monopole, 2-7/8"OD x 84" Pipe	6	-	6	-	-	733.92 LBS
MC-DPM3M-6-96	Monopole Colocation Dual Pipe, 15"-50" Monopole, 2-7/8"OD x 96" Pipe	6	-	-	6	-	770.98 LBS
MC-DPM3M-6-126	Monopole Colocation Dual Pipe, 15"-50" Monopole, 2-7/8"OD x 126" Pipe	6	-	-	-	6	854.93 LBS

**Ø 3-1/2" OD PIPE TABLE**

PART NO.	DESCRIPTION						WEIGHT
		MT-219L-H	MT54772	MT54784	MT54796	MT-547-126	
MC-DPM35M-6-B	Monopole Colocation Dual Pipe, 3-1/2"OD, 15"-50" Monopole, Antenna Pipe Separate	6	-	-	-	-	491.81 LBS
MC-DPM35M-6-72	Monopole Colocation Dual Pipe, 15"-50" Monopole, 3-1/2"OD x 72" Pipe	6	6	-	-	-	763.09 LBS
MC-DPM35M-6-84	Monopole Colocation Dual Pipe, 15"-50" Monopole, 3-1/2"OD x 84" Pipe	6	-	6	-	-	811.15 LBS
MC-DPM35M-6-96	Monopole Colocation Dual Pipe, 15"-50" Monopole, 3-1/2"OD x 96" Pipe	6	-	-	6	-	853.52 LBS
MC-DPM35M-6-126	Monopole Colocation Dual Pipe, 15"-50" Monopole, 3-1/2"OD x 126" Pipe	6	-	-	-	6	979.09 LBS




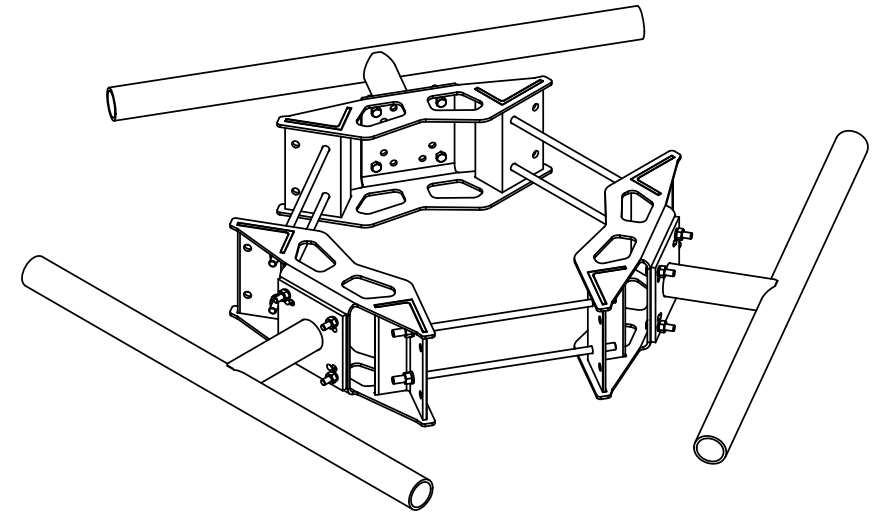
**MC-DPMM-B**

PART NO.	DESCRIPTION	QTY	WEIGHT
MC-RM1550-3	Ø 12" - Ø 50" RINGMOUNT	1	203.94 LBS
MC-DPM-B	Monopole Colocation Dual Pipe Mount Base Kit	3	70.40 LBS

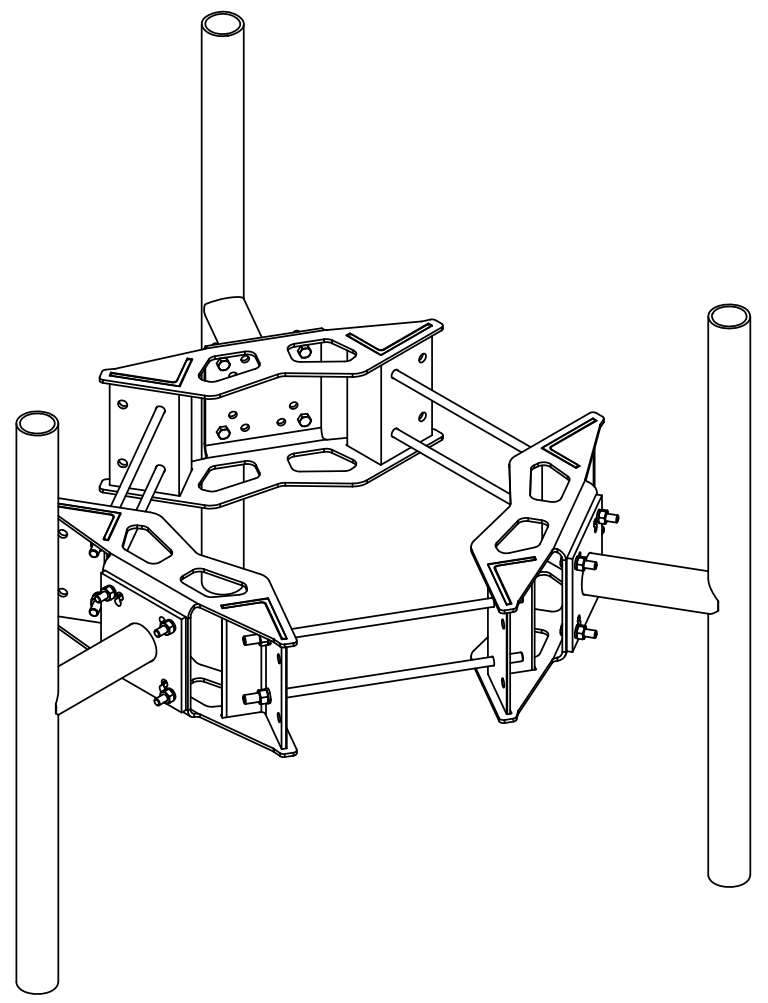
**NOTES:**

1. ALL METRIC DIMENSIONS ARE IN BRACKETS.

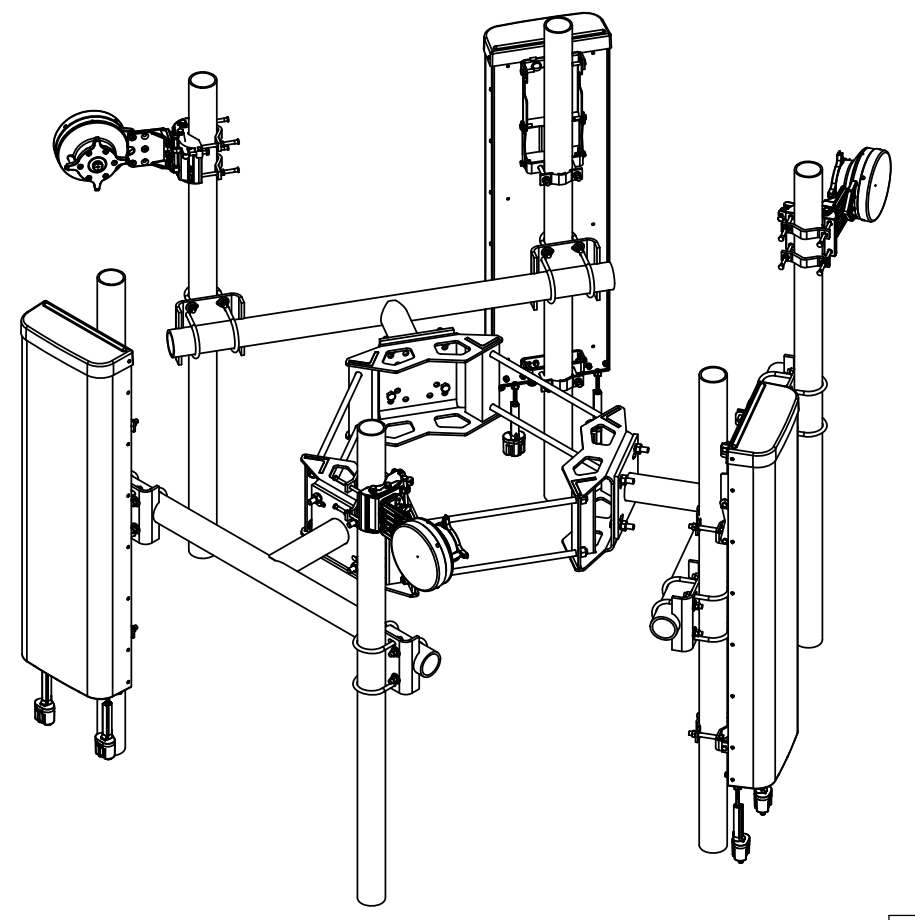
<small>These drawings and specifications are the proprietary property of CommScope Inc. and may be used only for the specific purpose authorized in writing by CommScope Inc.</small>  ALL DIMENSIONS ARE IN INCHES U.O.S. TOLERANCES UNLESS OTHERWISE SPECIFIED: .X = ± .12      ANGLES      ±2° .XX = ± .06      FRACTIONS      ±1/32 .XXX = ± .03  REMOVE BURRS AND BREAK EDGES .005  DO NOT SCALE THIS PRINT	DRAWN BY: MSM CHECKED BY: TP DATE: 10/05/09 REVISION: B	SHEET: 1 of 2 SCALE: NTS MATERIAL: A36, A53 FINISH: GALV A123 WEIGHT: SEE TABLE	PART NUMBER: MC-DPMM Series DESCRIPTION: Monopole Colocation, Dual Pipe Mount Series DRAWING TYPE: ASSEMBLY DRAWING   WESTCHESTER, IL. 60154 U.S.A.
--	--	---	---



**STANDARD MOUNTING**



**OPTIONAL VERTICAL MOUNTING**



**WITH ANTENNAS**

These drawings and specifications are the proprietary property of CommScope Inc. and may be used only for the specific purpose authorized in writing by CommScope Inc.

ALL DIMENSIONS ARE IN INCHES U.O.S.  
TOLERANCES UNLESS OTHERWISE SPECIFIED:  
.X = ± .12      ANGLES      ±2°  
.XX = ± .06      FRACTIONS      ±1/32  
.XXX = ± .03

REMOVE BURRS AND BREAK EDGES .005

**DO NOT SCALE THIS PRINT**

DRAWN BY: MSM	SHEET: 2 of 2
CHECKED BY: TP	SCALE: NTS
DATE: 10/05/09	MATERIAL: A36, A53
REVISION: <b>B</b>	FINISH: GALV A123
	WEIGHT: SEE TABLE

PART NUMBER: <b>MC-DPMM Series</b>
DESCRIPTION: Monopole Colocation, Dual Pipe Mount Series
DRAWING TYPE: ASSEMBLY DRAWING
<b>COMMSCOPE®</b> WESTCHESTER, IL. 60154 U.S.A.