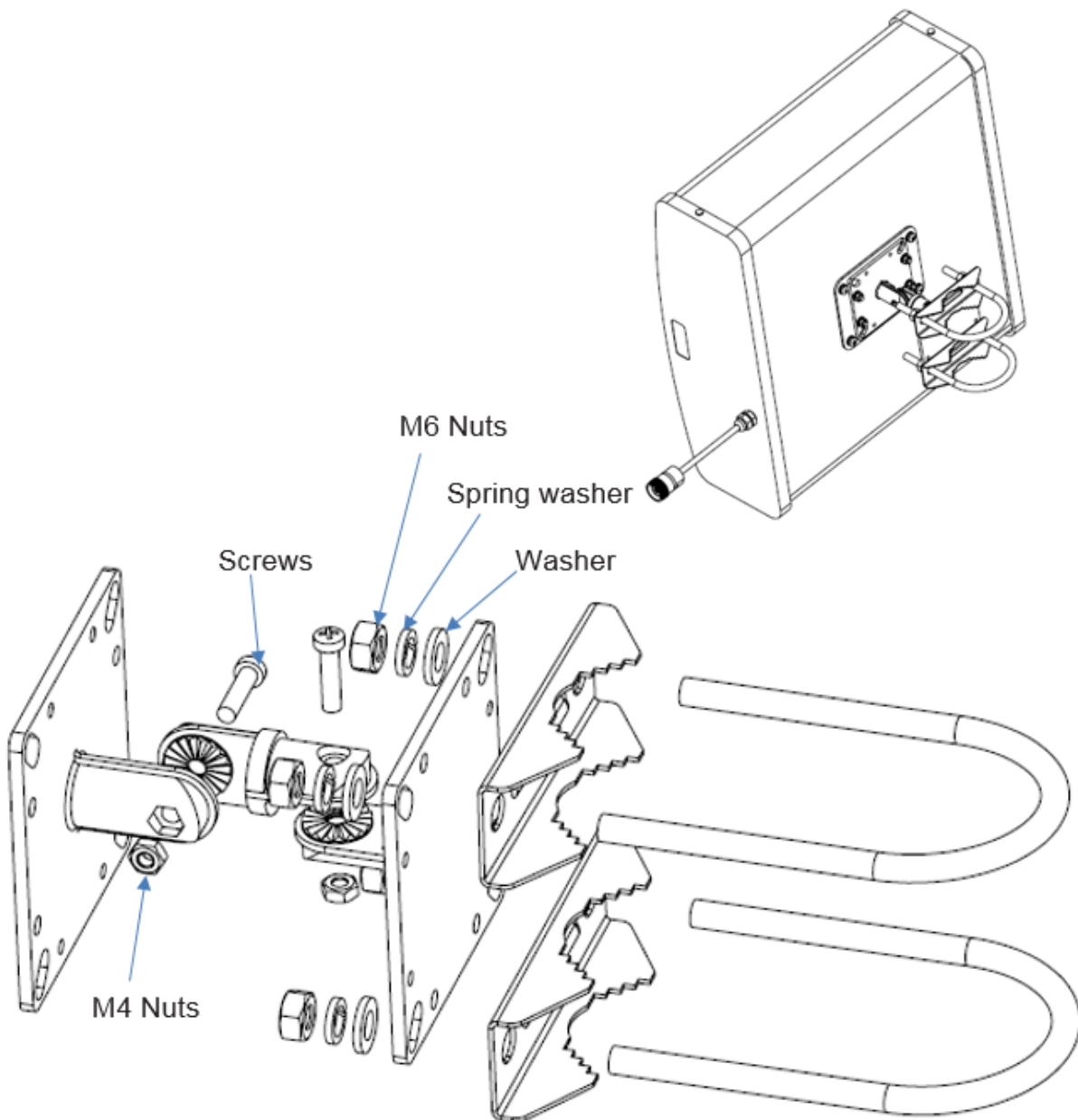


Installation Guide for CMAX-D-43-UW-i53/CMAX-D-UW-i53/ CMAX-D-TCPUSEi53 Antennas

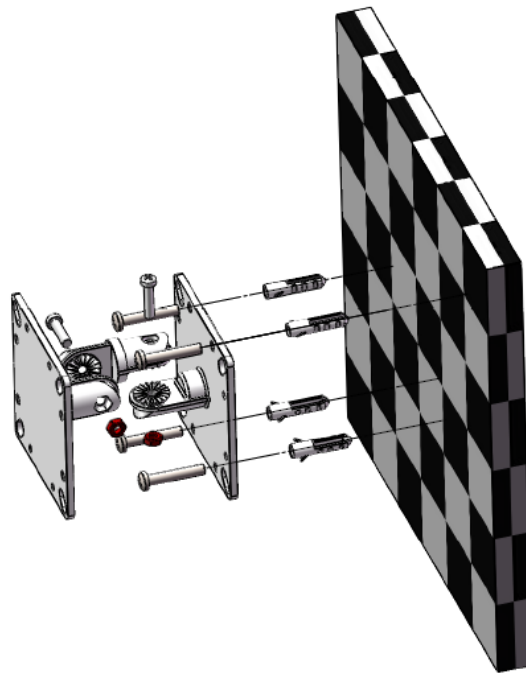
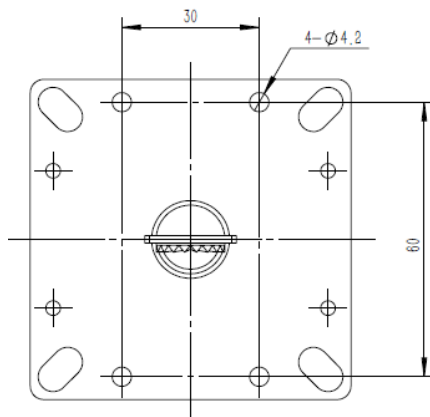
Note: Please read the complete description before starting the installation. Make sure that connectors are properly sealed against water if no cables are connected to them after installation.

1.Assembly



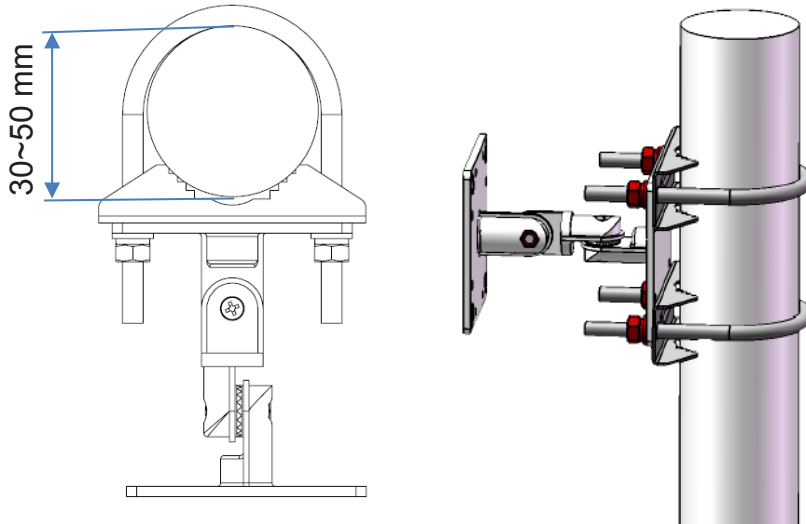
Fit these seven parts above together and fasten them with screws M4、 M6, nuts M4、 M6, spring washers, and washers.

2. Wall Mounting



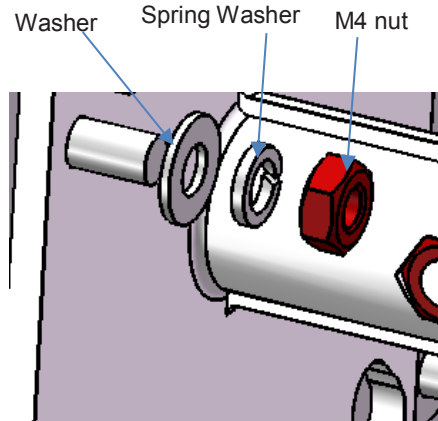
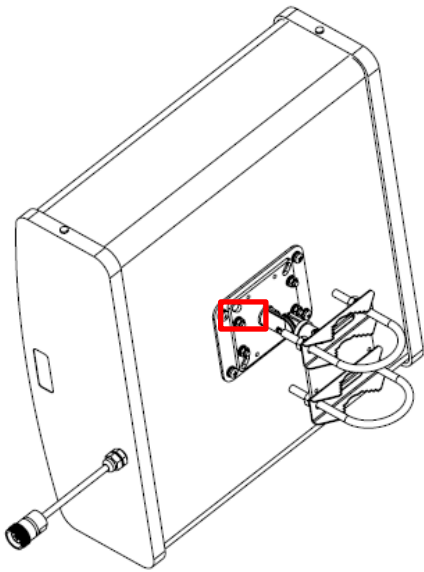
1. Use this pedestal piece as a drill jig to mark 4 holes onto the wall as shown in the drawing above.
2. Drill 4 holes into the wall and insert plastic plug into holes.
3. Attach the complete bracket with tapping screw ST4.2X25.

3. Pole Mounting (30~50 mm pole diameter)

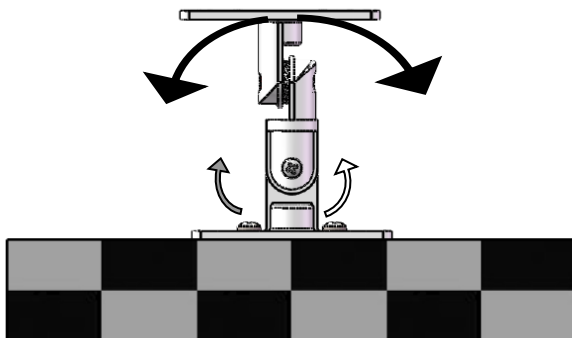


4. Antenna Mounting

4.1. Antenna Mounting



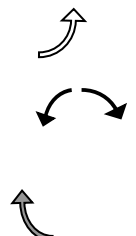
4.2. Azimuth Angle



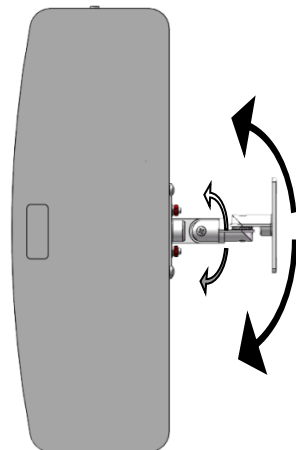
1. Loosen the fixing screw. (Do NOT unscrew it completely.)

2. Adjust your desired angle. The complete antenna pedestal can be swiveled to the left- / right-hand side by up to 25°.

3. Tighten the fixing screw.



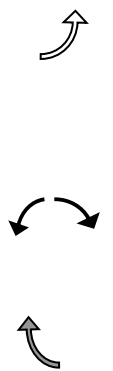
4.3. Elevation Angle



1. Loosen the fixing screw. (Do NOT unscrew it completely.)

2. Adjust your desired angle. The complete antenna pedestal can be swiveled to the top / bottom by up to 25°.

3. Fasten the fixing screw.



List of Changes

<i>Version</i>	<i>Changes</i>	<i>Release Date</i>
M0149ARA	First release	25-July-2019

© Copyright 2019 CommScope, Inc.

All rights reserved.

All information contained in this manual has been revised thoroughly. Yet CommScope accepts no liability for any omissions or faults.

CommScope reserves the right to change all hardware and software characteristics without notice.

Names of products mentioned herein are used for identification purposes only and may be trademarks and / or registered trademarks of their respective companies.

No parts of this publication may be reproduced, stored in a retrieval system, transmitted in any form or by any means, electronical, mechanical photocopying, recording or otherwise, without prior written permission of the publisher.

CommScope, 25-July-2019