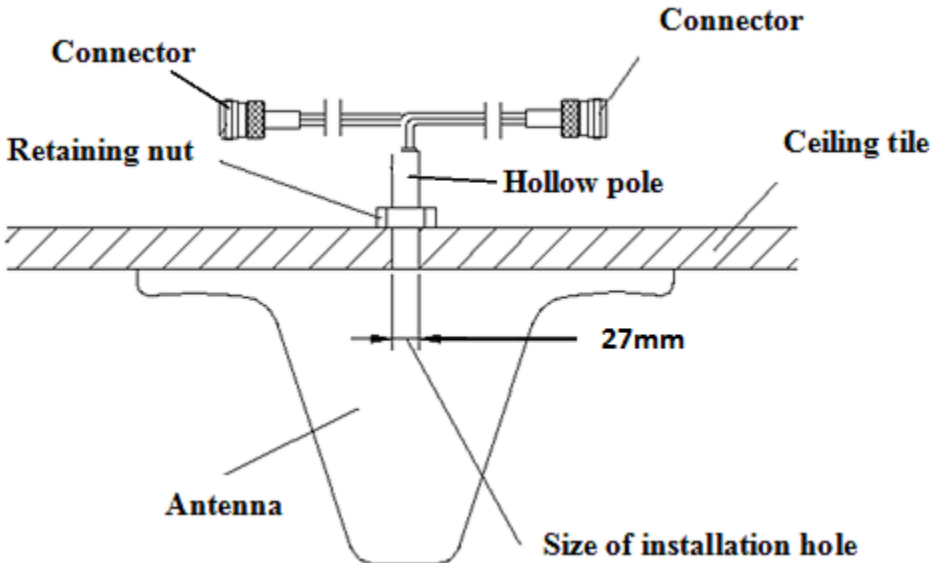


INSTALLATION INSTRUCTION FOR CMAX-OMH-43-I53, CMAX-OMH-CPUSEI53, AND CMAX-OMF-CPUSEI53



Installation Steps

- 1) Cut a hole in the ceiling tile with the diameter shown above.
- 2) Remove the retaining nut from the back of the antenna.
- 3) Feed the pigtails of the antenna through the hole in the ceiling tile.
- 4) Reinstall the retaining nut so that it is close-fitting to the ceiling tile.

© Copyright 2016 CommScope, Inc.

All rights reserved.

All information contained in this manual has been revised thoroughly. Yet CommScope accepts no liability for any omissions or faults.

CommScope reserves the right to change all hardware and software characteristics without notice.

Names of products mentioned herein are used for identification purposes only and may be trademarks and / or registered trademarks of their respective companies.

No parts of this publication may be reproduced, stored in a retrieval system, transmitted in any form or by any means, electrical, mechanical photocopying, recording or otherwise, without prior written permission of the publisher.

CommScope, 29-March-2016