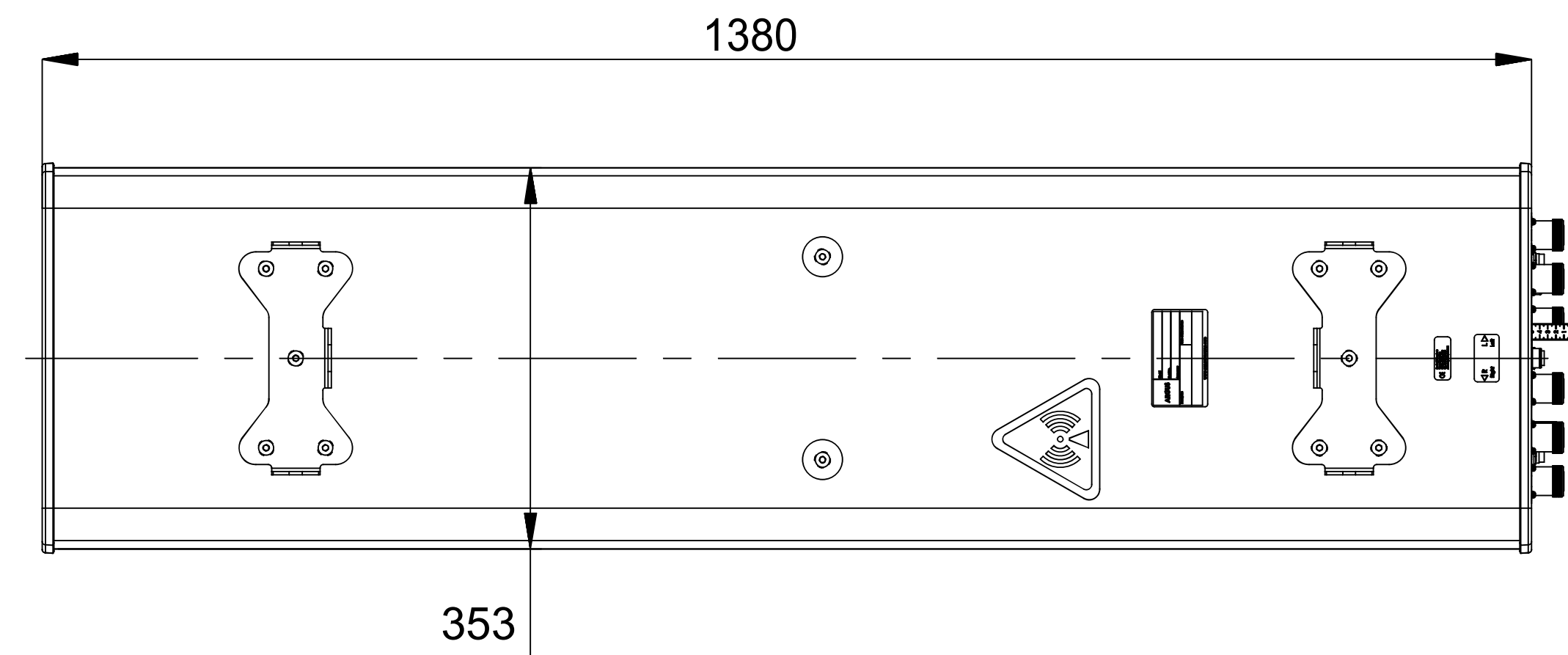
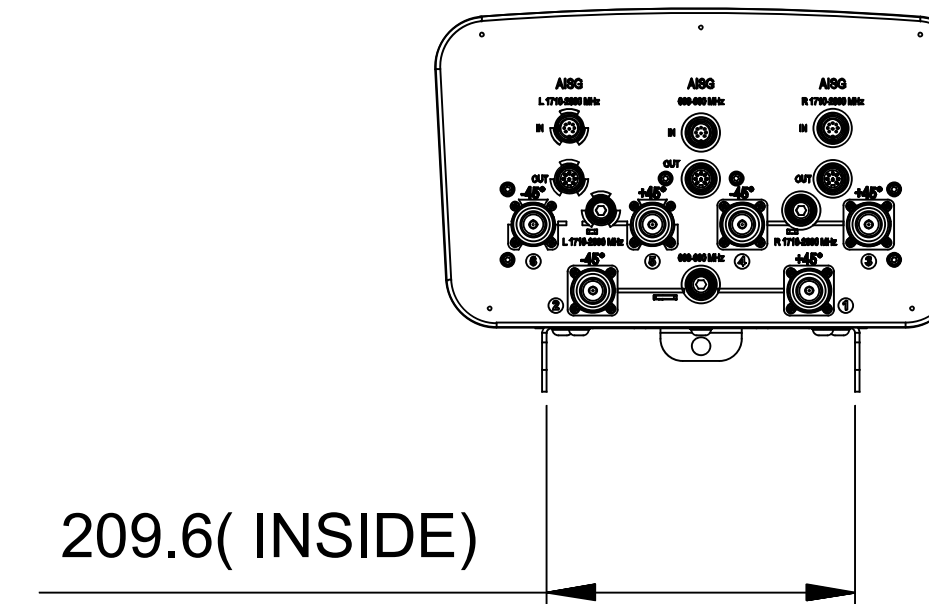
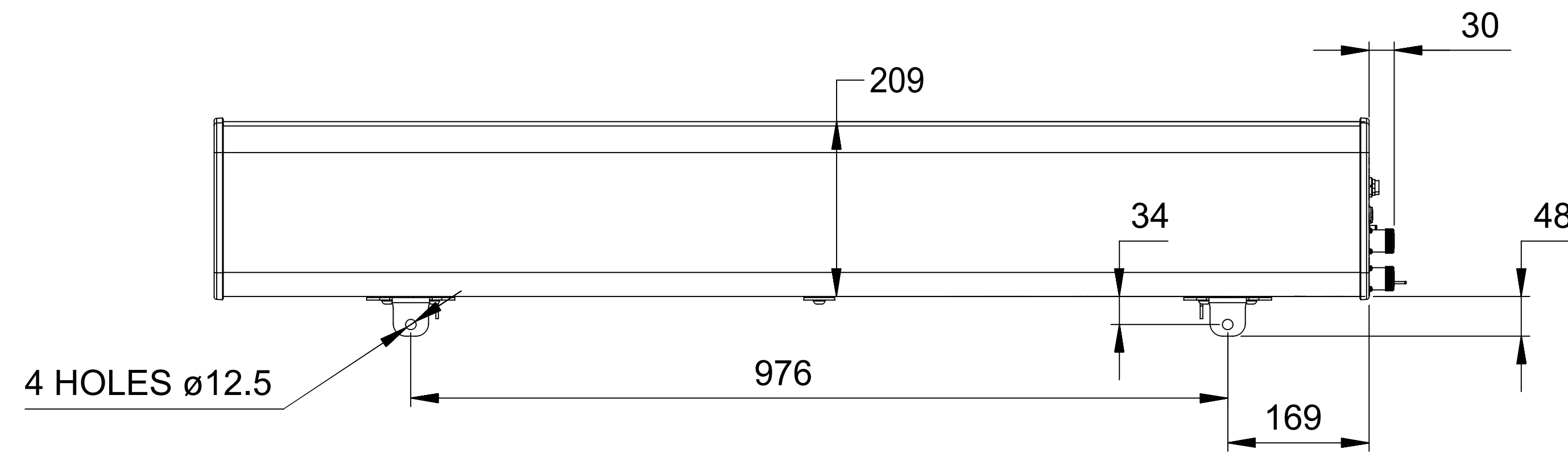


ZONE	REV.	DESCRIPTION	DRAWN BY	DATE
-	A	NEW	SZ	22/11/2013
	B	ECR 8000011900: ADD DXF TO DIR.	H.D	01/09/2016



RVVPX305.10R3

		DESCRIPTION:		DWG REV
		PRODUCT DRAWING		B
UNLESS OTHERWISE SPECIFIED DIMENSIONS ARE IN MILLIMETRES. TOLERANCES ARE: 0 - 20 ±2 HOLE ø ±1 >20-100 ±2 HOLE ø ±1 >100-200 ±2 ANGULAR ±1° >200 ±2		PART/DWG NUMBER:		DATE:
		RVVPX305.10R3-L		01/09/2016
DRAWN TO AS1100		MATERIAL:	3D MOD:	SCALE:
		N/A	N/A	1:10 A3
		FINISH:	DRAWN:	SHEET 1 OF 1
		N/A	SZ	