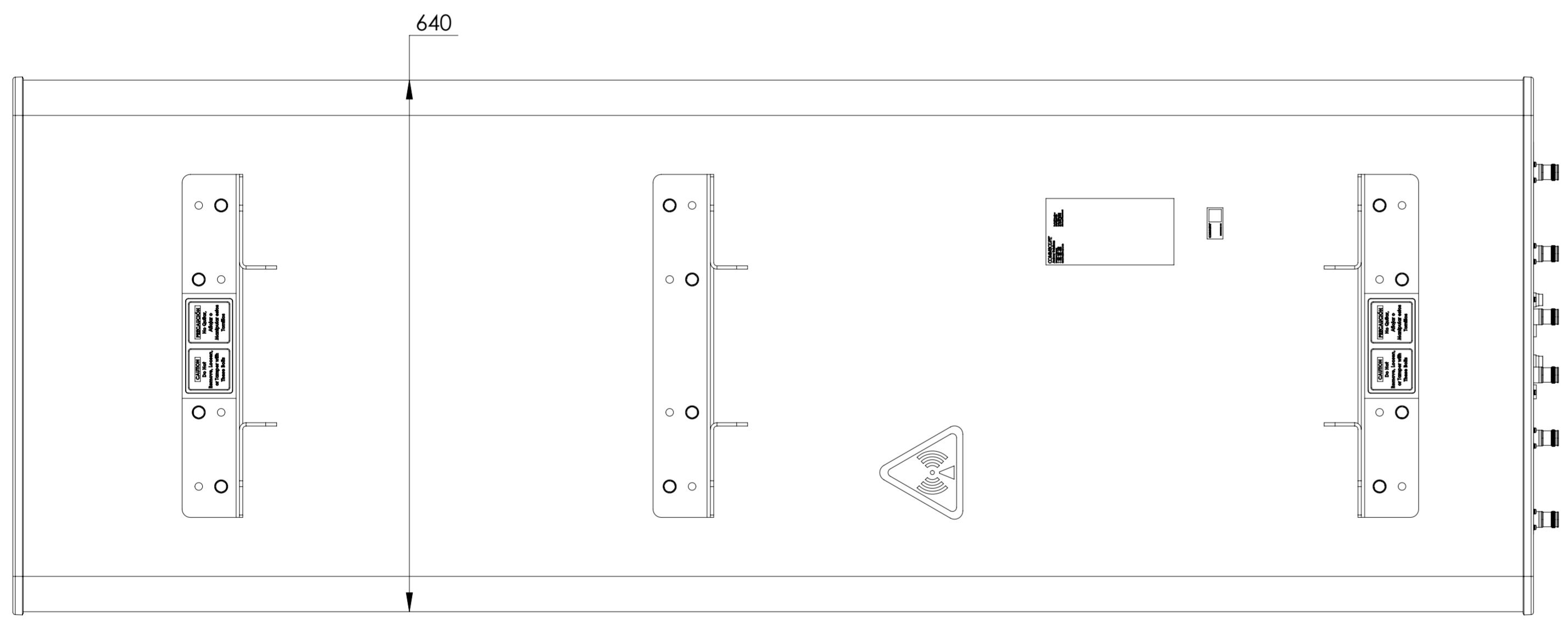
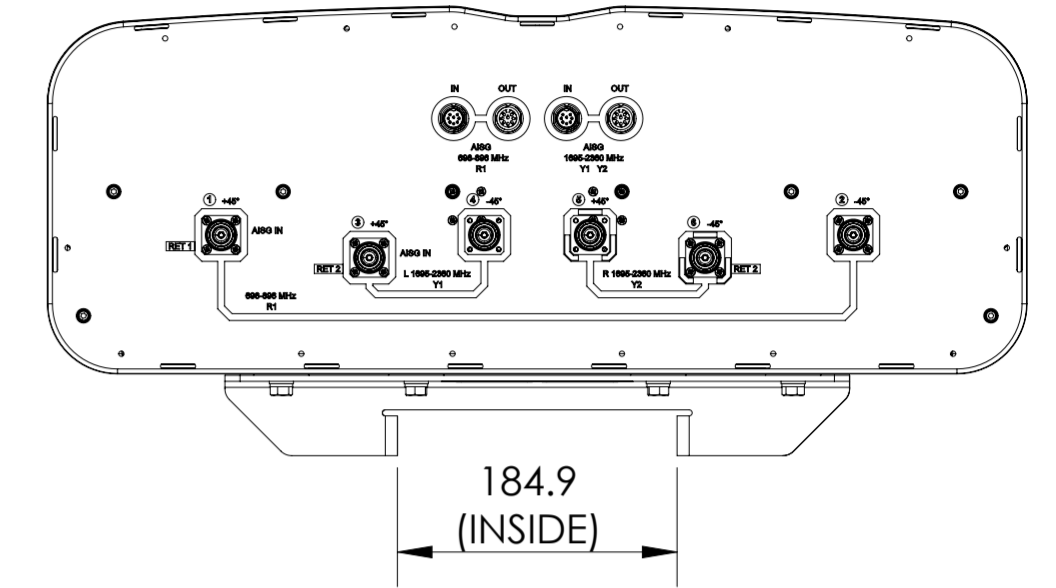
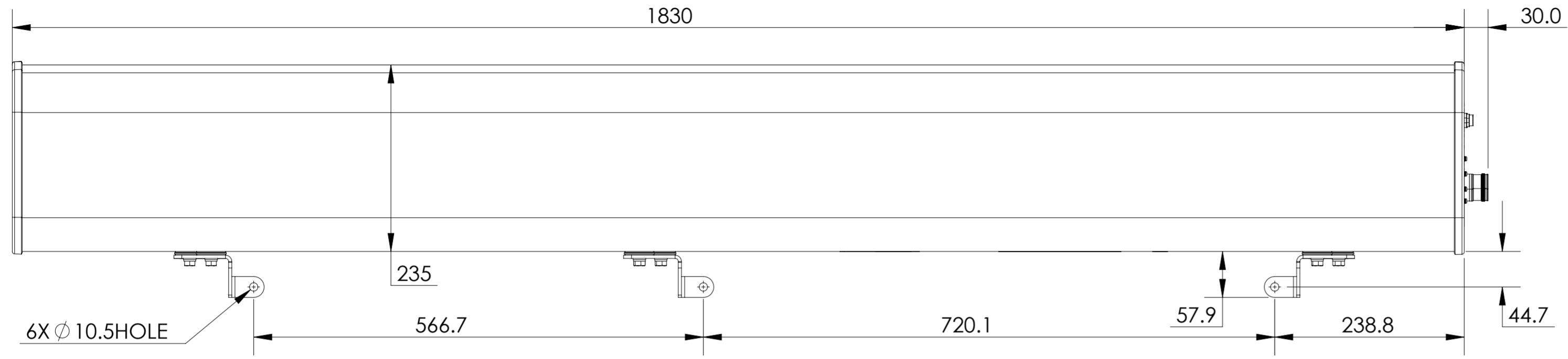


NOTES:

REVISIONS			
REV.	DESCRIPTION	DATE	APPROVED
A	ECR 8000034923: RELEASE TO PRODUCTION PER EAO 606686 .	23MAY19 AP	RT/SB



NHH-33B-R2B

COMMSCOPE, INC. OF NORTH CAROLINA

TOLERANCES		SAP MATERIAL MASTER	
0 PLACE X ±	2 PLACE .XX ±		
1 PLACE .X ±	ANGLES ±		
FINISH		MATERIAL	

UNLESS OTHERWISE SPECIFIED DIMENSIONS ARE IN MILLIMETERS INTERPRET PER ISO STANDARDS HANDBOOK TECHNICAL DRAWINGS VOLUMES 1 & 2, THIRD EDITION (2002)	NAME	DATE	TITLE	PRODUCT DRAWING SCALE 1:5 DOCUMENT NO. NHH-33B-R2B-L
	CE	AP1123	23MAY19	
	RW	KC1030	06/19/2019	
	RV	RT1047	06/21/2019	
	AD	SB1121	06/21/2019	
	RE	AC1095	06/21/2019	
ECN 8000034923-O				

DENSITY	g/mm ³	MASS	grams	VOLUME	mm ³	SURFACE AREA	mm ²
HEIGHT		LENGTH		WIDTH			

SIZE	WORK AREA	23	MODEL			DRAWING			SHEET
A2			VERSION	STATUS	REVISION	VERSION	STATUS	REVISION	1 OF 1
			00	RE	A	00	RE	A	