

8

7

6

5

4

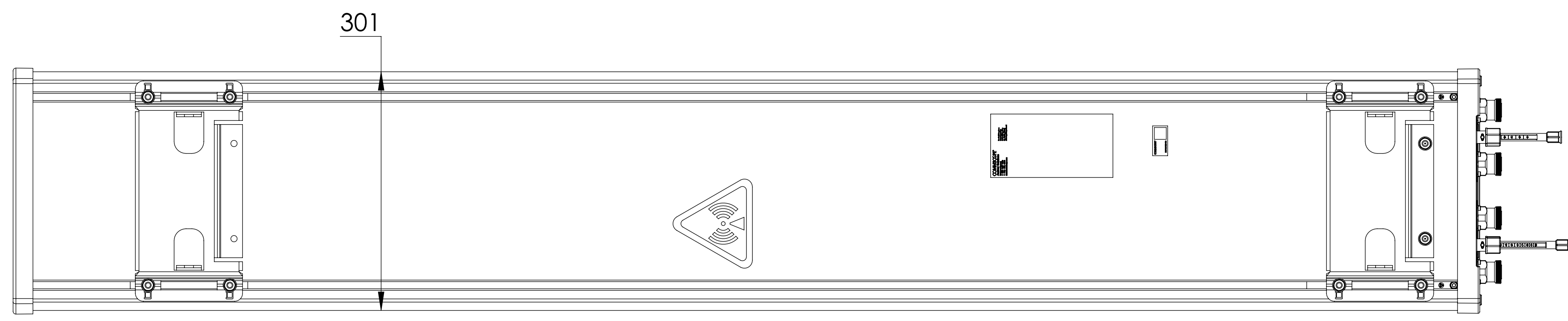
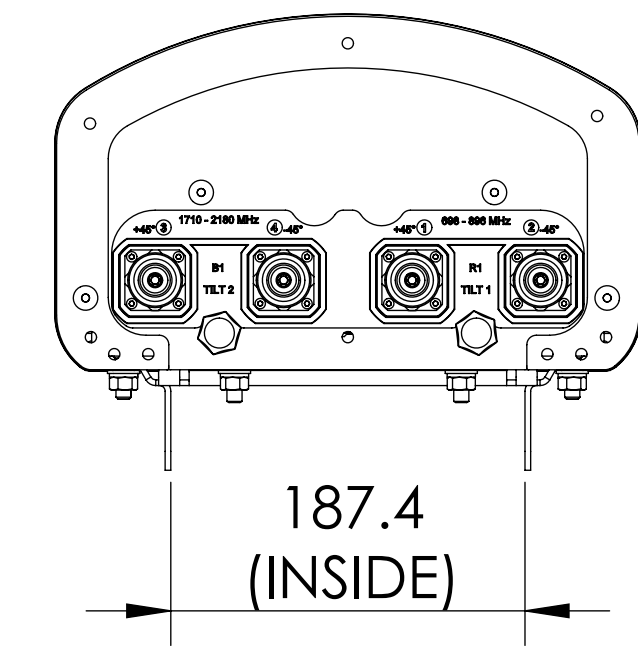
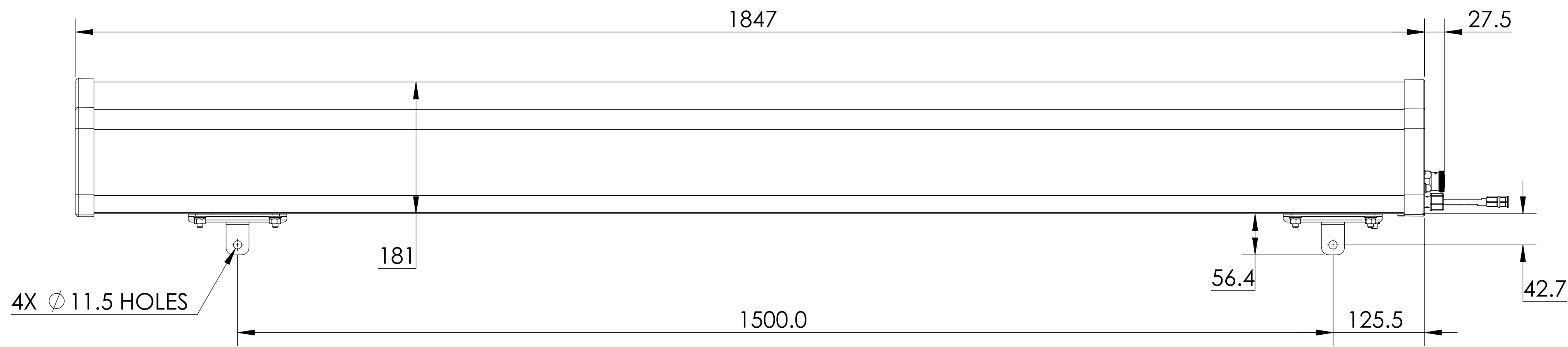
3

2

1

NOTES:

REVISIONS			
REV	DESCRIPTION	DATE	APPROVED
A	ECR 5087059: REL TO PRODUCTION, EE: YUEMLI ME: S.GE	20DEC09 WQ	S.GE/YUEMLI
K	ECR 800000775: UPDATE DRAWING WITH LATEST MODEL.	04JUNE13 AD	EB/GD
L	ECR 8000005295: ADD DIMENSION ON SHEET 2.	10OCT14 QJ	EB/GD
M	ECR 8000013297: UPDATE DRAWING WITH LATEST MODEL.	15APR16 HWW	S.LIU/JIHE
N	ECR 8000033118: ADD DIMENSION ON SHEET 2.	24DEC18 ZW	S.LIU/JIHE



DBXNH-6565B-VTM

THIRD ANGLE PROJECTION

MATERIAL	DENSITY:	UNLESS OTHERWISE SPECIFIED DIMENSIONS ARE IN MILLIMETERS INTERPRET PER ISO STANDARDS HANDBOOK TECHNICAL DRAWINGS, VOLUMES 1 & 2, THIRD EDITION (2002)	WESTCHESTER, IL. 60154 U.S.A.						
	MASS:		ANDREW						
FINISH	TOLERANCES		THIRD ANGLE PROJECTION						
	0 PLACE	X ±	DRAWN BY WQ 20DEC09 SIZE A1 84147	DOCUMENT NO. DBXNH-6565B-VTM-L					
	1 PLACE	.X ±							
	2 PLACE	.XX ±							
ANGLES	±								
	ALL SURFACES	✓	AUTH. GROUP 23	DRAWING					
NOTICE: These drawings and specifications are the proprietary property of ANDREW CORPORATION and may be used only for the specific purpose authorized in writing by Andrew.			VERSION 14	STATUS RE	REVISION P	VERSION 12	STATUS RE	REVISION N	SHEET 1 OF 2

8

7

6

THIRD ANGLE PROJECTION

3

2

1

8

7

6

5

4

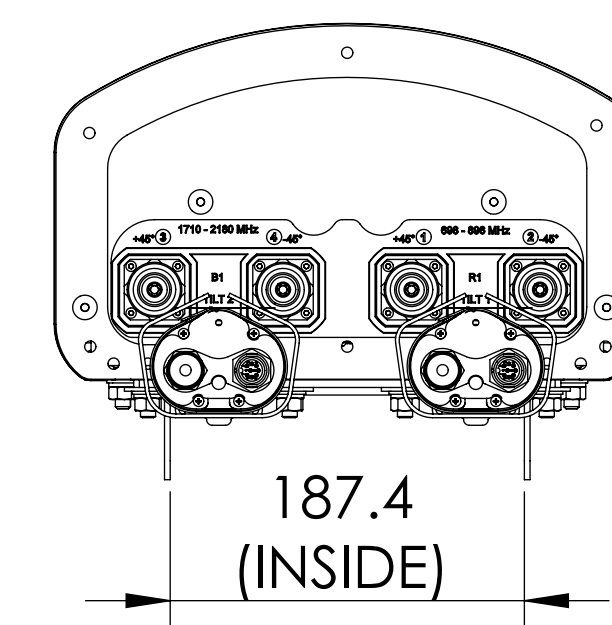
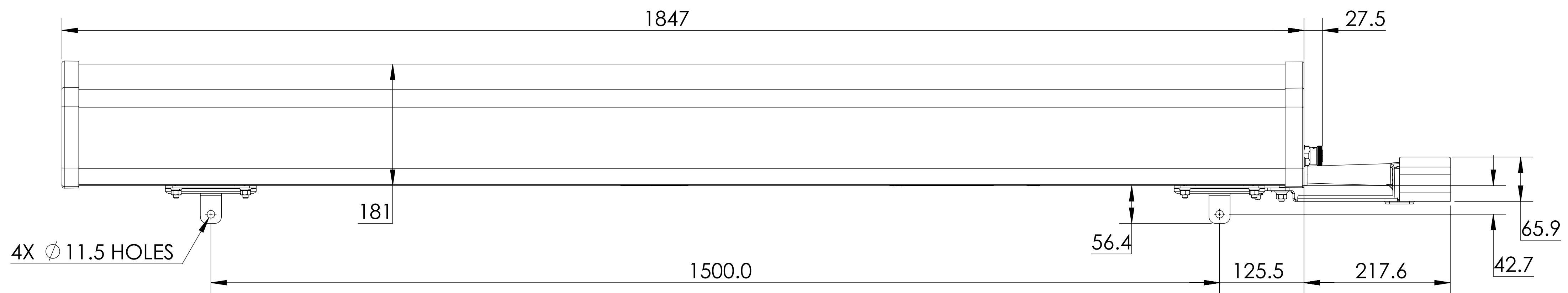
3

2

1

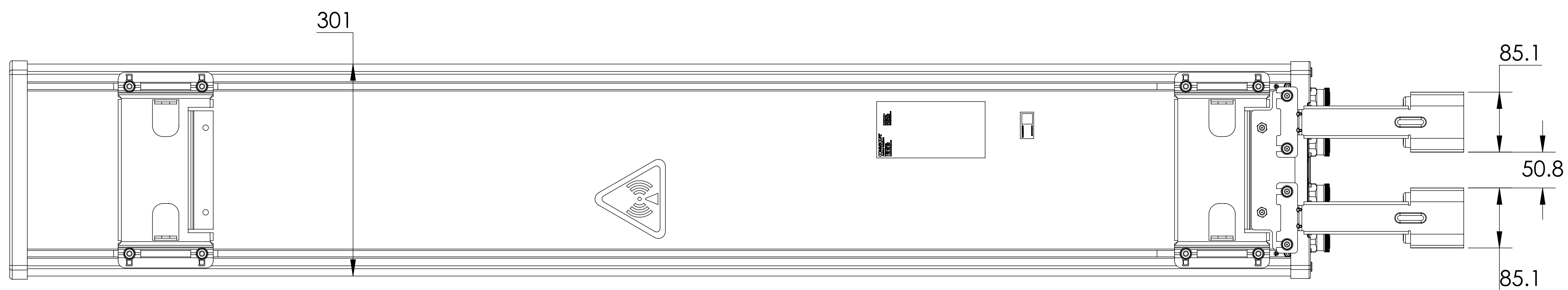
D

D



C

THIRD ANGLE PROJECTION



B

DBXNH-6565B-R2M
DBXNH-6565B-A2M

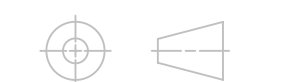
A

A

WESTCHESTER, IL. 60154
U.S.A.

PRODUCT DRAWING

THIRD ANGLE PROJECTION



SIZE **A1** CAGE CODE **84147**

DOCUMENT NO. **DBXNH-6565B-VTM-L**

NOTICE: These drawings and specifications are the proprietary property of ANDREW CORPORATION and may be used only for the specific purpose authorized in writing by Andrew.

VERSION	STATUS	REVISION	SHEET
12	RE	N	2 OF 2

8

7

6

THIRD ANGLE PROJECTION

3

2

1