

8

7

6

5

4

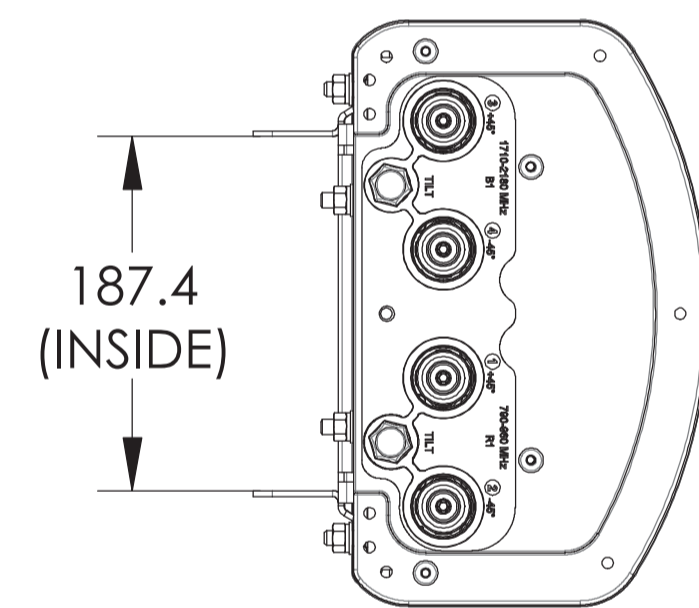
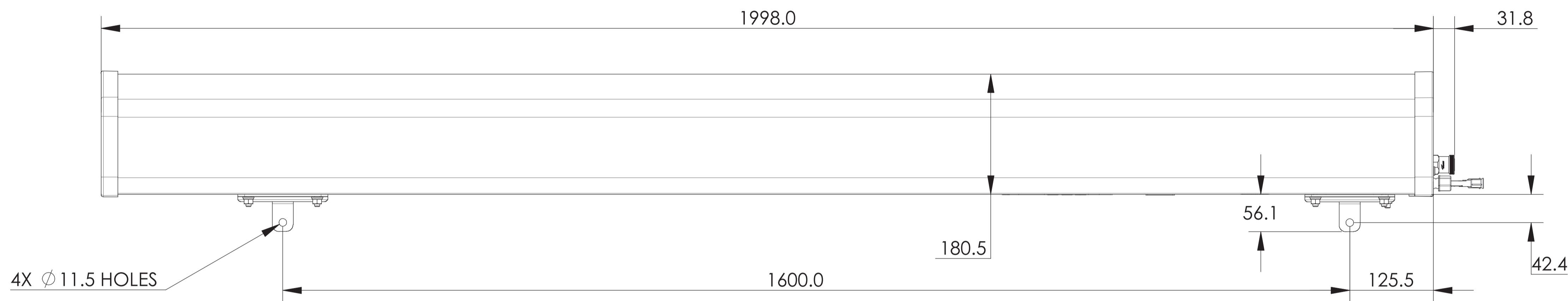
3

2

1

NOTES:

REVISIONS			
REV	DESCRIPTION	DATE	APPROVED
A	ECR 5098202: REL TO PRODUCTION. EE: LIGWU ME: SGE	25APR11 WQ	SGE/LIGWU
G	ECR 7006838: UPDATE DRAWING.	18JAN13 XHX	S.LIU/GUXU
H	ECR 8000000775: UPDATE DRAWING WITH LATEST MODEL.	04JUN13 SJT	EB/GD
J	ECR 8000000803: ADD DBXDH-6565BT-VTM & DBXDH-6565BT-A1M.	20JUN13 HH	S.LIU/JIHE
K	ECR 8000004842: ADD DXF FILES.	29AUG14 RY	S.LIU/JIHE



DBXDH-6565B-VTM
DBXDH-6565BT-VTM

THIRD ANGLE PROJECTION

MATERIAL N/A	DENSITY:	UNLESS OTHERWISE SPECIFIED DIMENSIONS ARE IN MILLIMETERS INTERPRET PER ISO STANDARDS HANDBOOK, TECHNICAL DRAWINGS, VOLUMES 1 & 2, THIRD EDITION (2002)	WESTCHESTER, IL. 60154 U.S.A.	
	MASS:		ANDREW®	
FINISH N/A	TOLERANCES		THIRD ANGLE PROJECTION	
	0 PLACE X± 1 PLACE .X± 2 PLACE .XX± ANGLES ± ALL SURFACES ✓		PRODUCT DRAWING	
DRAWN BY WQ 25APR11		SIZE A1	CAGE CODE 84147	DOCUMENT NO. DBXDH-6565B-VTM-L
ECN 800004842-O		MODEL	VERSION	STATUS
AUTH. GROUP 23		REVISION	REVISION	REVISION
NOTICE: These drawings and specifications are the proprietary property of ANDREW CORPORATION and may be used only for the specific purpose authorized in writing by Andrew.		VERSION 05	STATUS RE	REVISION F
		VERSION 10	STATUS RE	REVISION K
				SHEET 1 OF 3

8

7

6

THIRD ANGLE PROJECTION

3

2

1

8

7

6

5

4

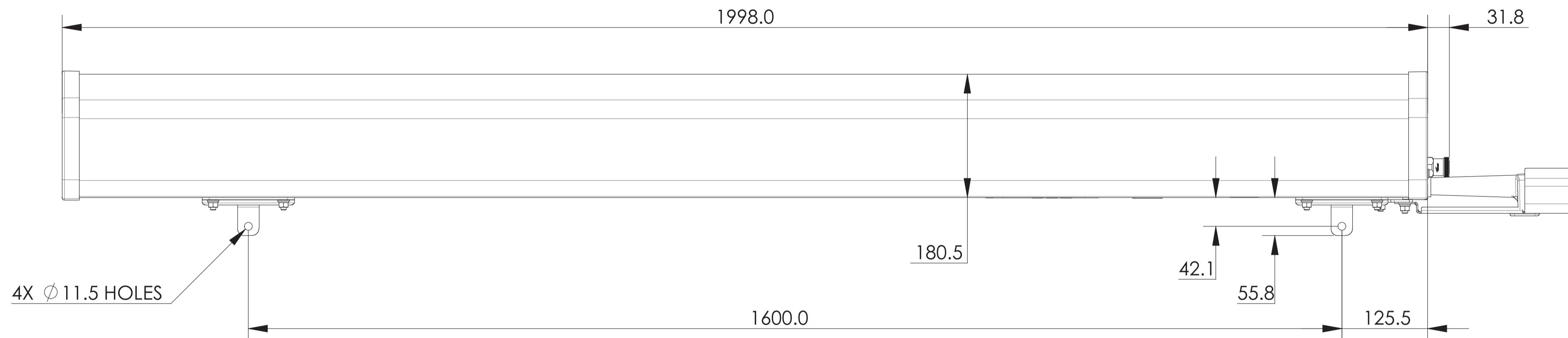
3

2

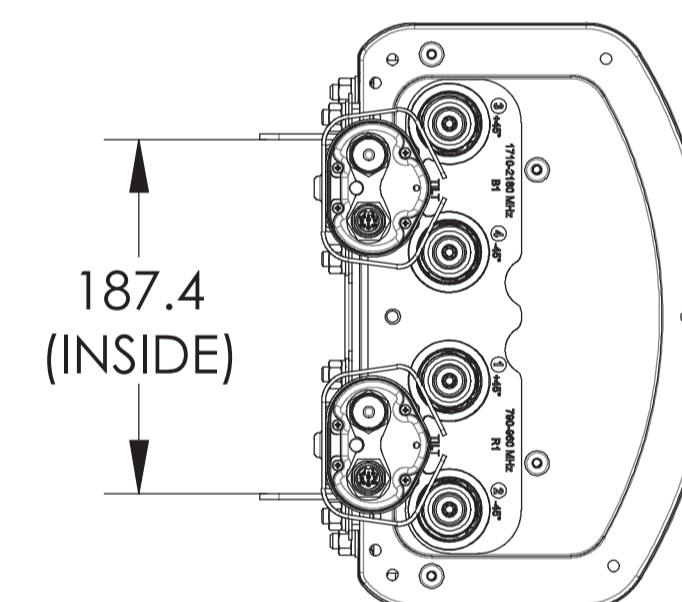
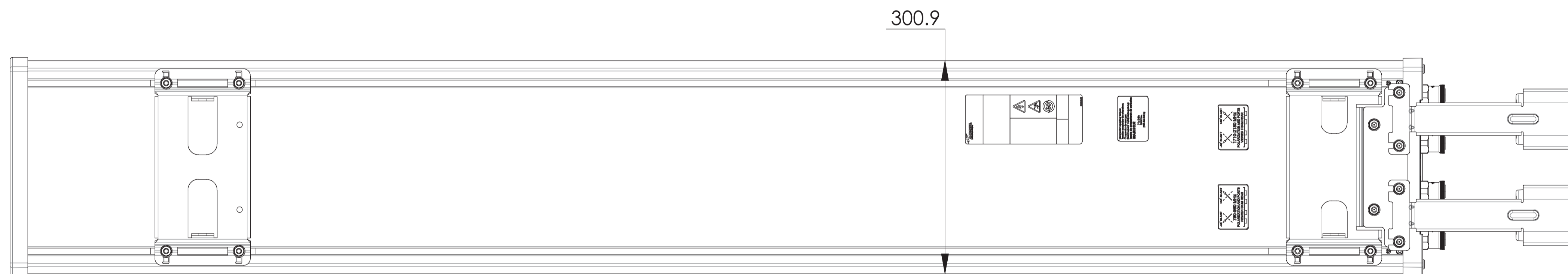
1

D

D



C



B

DBXDH-6565B-R2M
 DBXDH-6565B-A2M
 DBXDH-6565B-E2M

A

A

THIRD ANGLE PROJECTION

8

7

6

3

2

1

WESTCHESTER, IL. 60154
 U.S.A.

PRODUCT DRAWING

THIRD ANGLE PROJECTION



SIZE
A1 84147

DOCUMENT NO.
 DBXDH-6565B-VTM-L

NOTICE: These drawings and specifications are the proprietary property of ANDREW CORPORATION and may be used only for the specific purpose authorized in writing by Andrew.

VERSION	STATUS	REVISION	SHEET
10	RE	K	2 OF 3

8

7

6

5

4

3

2

1

D

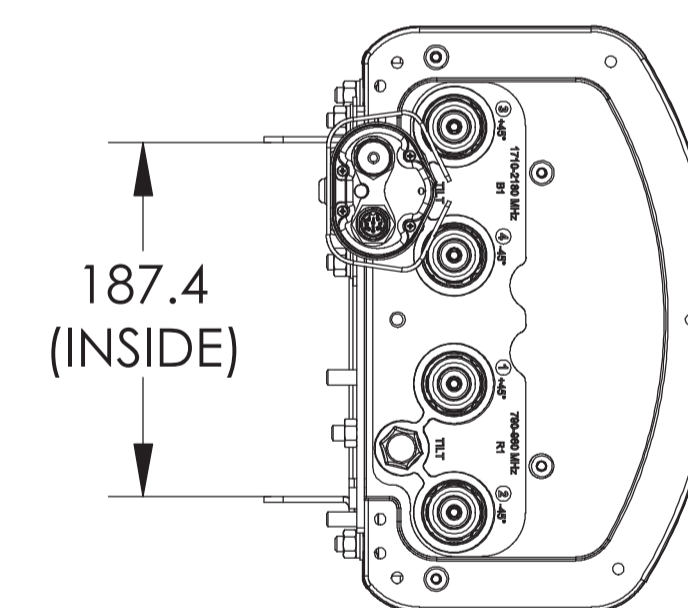
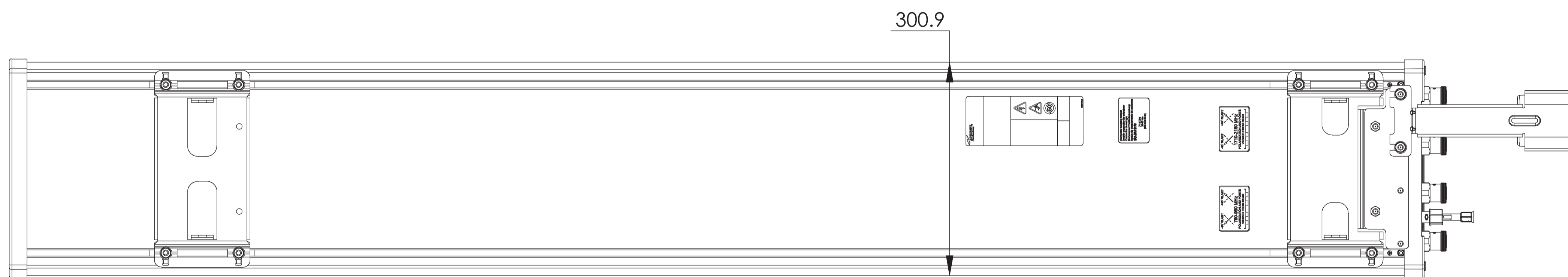
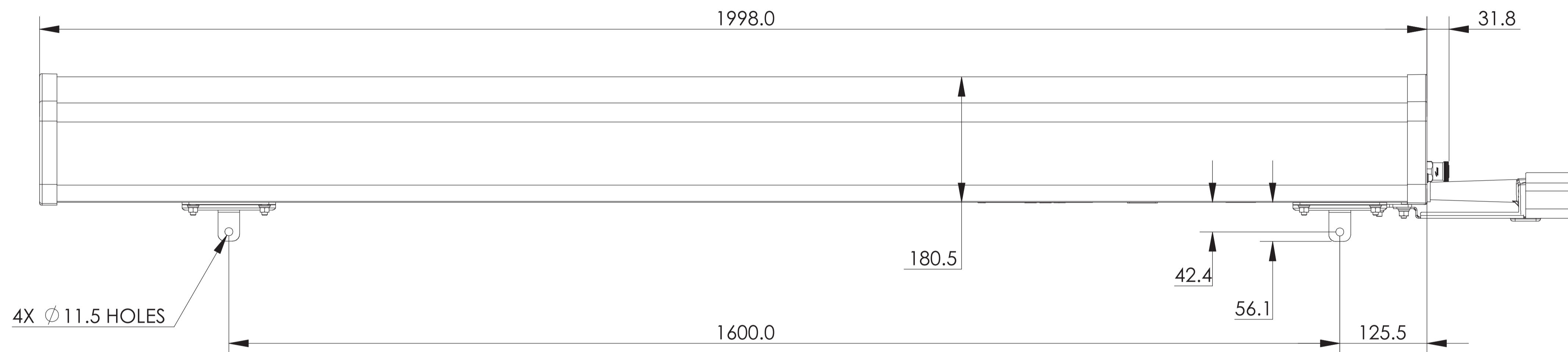
D

C

B

A

THIRD ANGLE PROJECTION



DBXDH-6565B-A1M
DBXDH-6565BT-A1M

ANDREW WESTCHESTER, IL. 60154
U.S.A.

PRODUCT DRAWING

THIRD ANGLE PROJECTION



SIZE **A1 84147**

DOCUMENT NO. DBXDH-6565B-VTM-L

NOTICE: These drawings and specifications are the proprietary property of ANDREW CORPORATION and may be used only for the specific purpose authorized in writing by Andrew.			
VERSION	STATUS	REVISION	SHEET
10	RE	K	3 OF 3

8

7

6

THIRD ANGLE PROJECTION

3

2

1