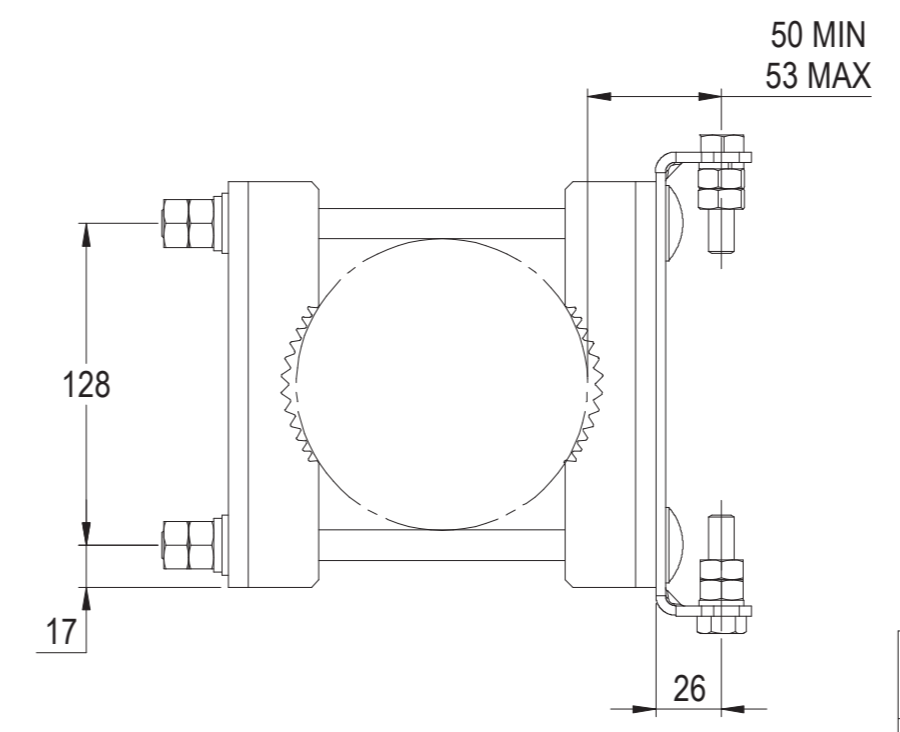
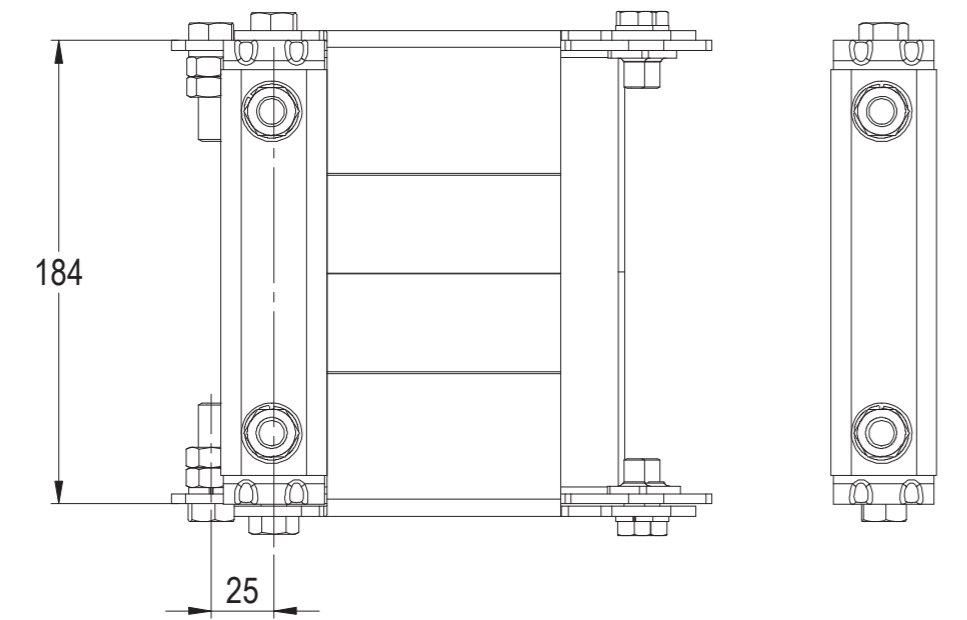
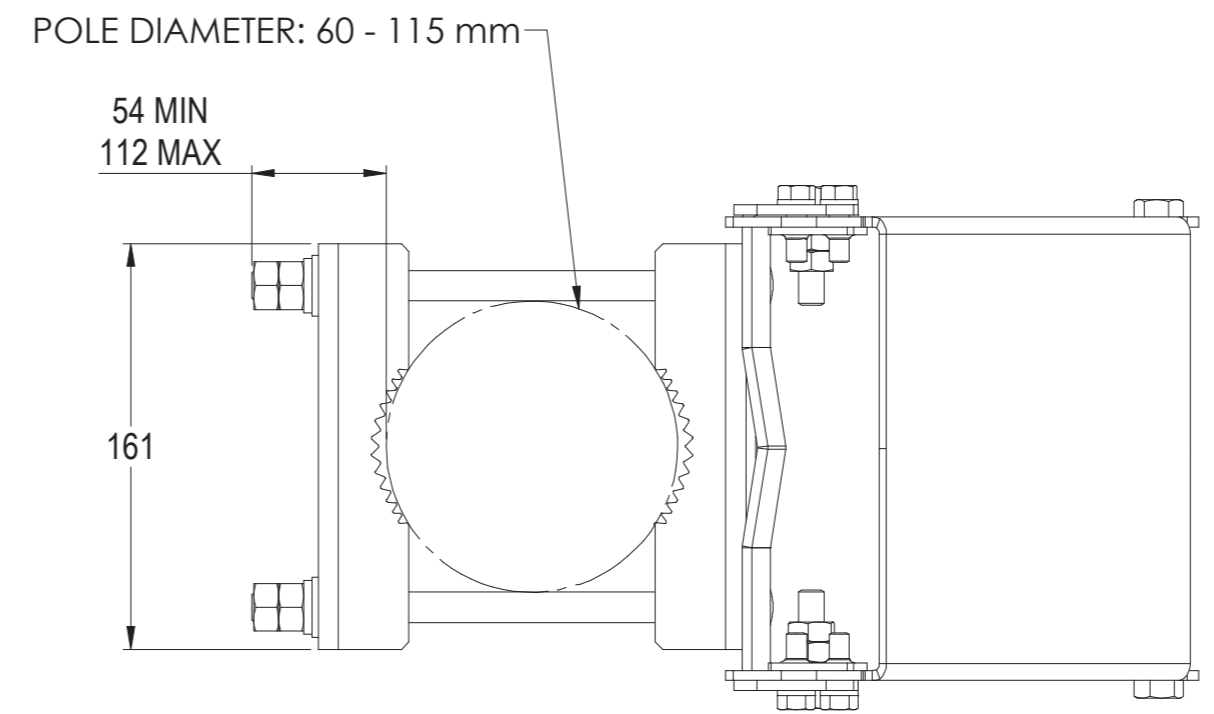
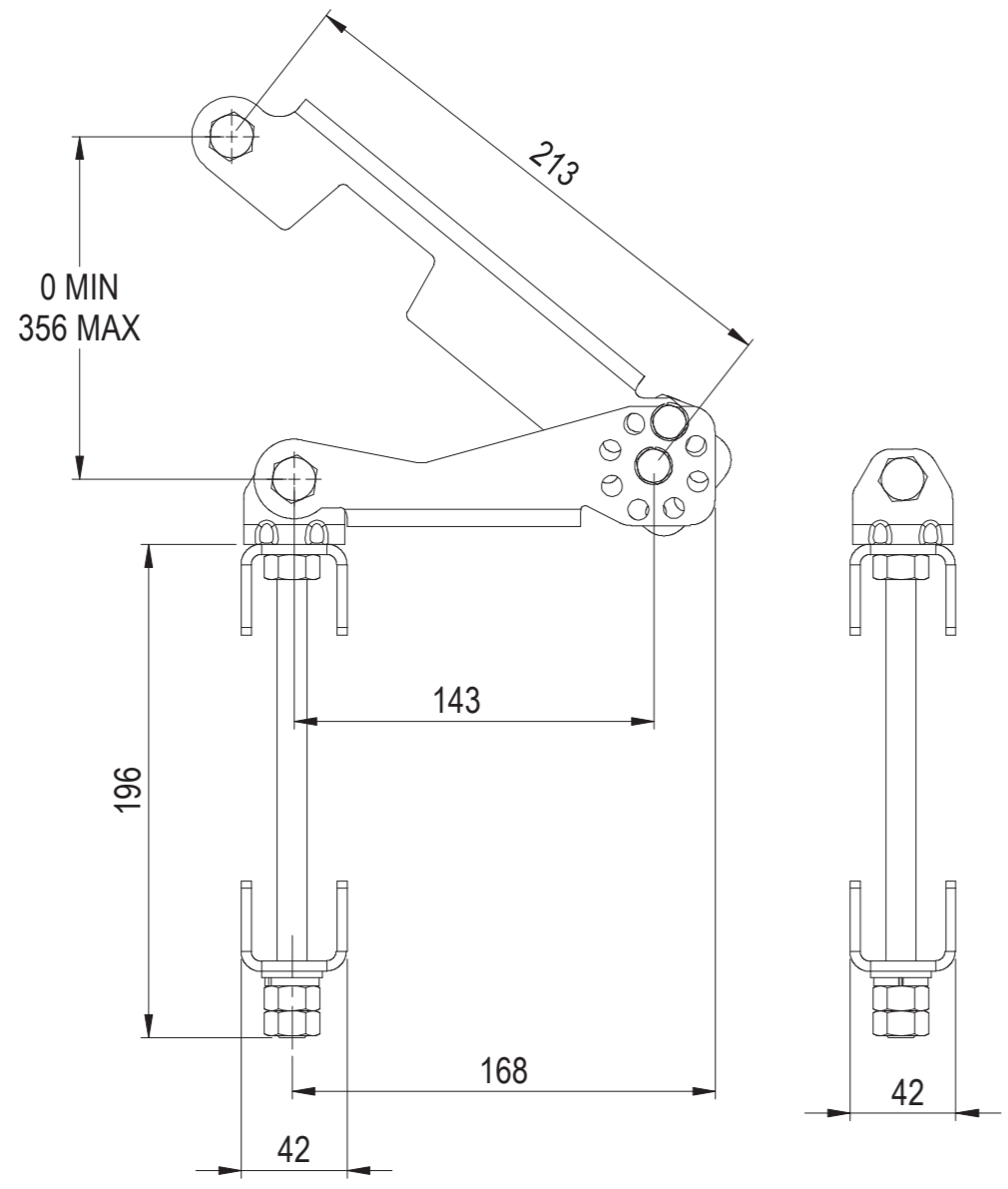


REVISIONS			
REV.	DESCRIPTION	DATE	APPROVED
A	ECR 8000008837: RELEASE TO PRODUCTION.	26JUN15 LS	HV/XA
B	ECR 8000009727: ADD BSAMNT-1.	25AUG15 HWW	S.LIU/JIHE
C	ECR 8000010857: ADD DIMENSIONS.	10NOV15 LS	S.LIU/JIHE



BSAMNT-1
BSAMNT-3

DENSITY		g/mm ³
MASS	3.35	kg
VOLUME		mm ³
SURFACE AREA		mm ²

COMMScope, INC. OF NORTH CAROLINA

TOLERANCES		SAP MATERIAL MASTER	
0 PLACE	X ±	2 PLACE	.XX ±
1 PLACE	.X ±	ANGLES	±
FINISH N/A		MATERIAL N/A	
UNLESS OTHERWISE SPECIFIED DIMENSIONS ARE IN MILLIMETERS INTERPRET PER ISO STANDARDS HANDBOOK TECHNICAL DRAWINGS VOLUMES 1 & 2, THIRD EDITION (2002)		NAME	DATE
		CE LS	06/26/2015
		RW SL1039	11/10/2015
		RV CHALIU	11/13/2015
		AD JIHE	11/15/2015
RE BYUAN	11/16/2015		
ECN 8000010857-O		TITLE	
		ANT, 2 POINT MOUNT, HIGH ENVIRONMENT	
		SCALE	DOCUMENT NO.
		1:3	BSAMNT-3-L
SIZE	WORK AREA	MODEL	DRAWING
A2		VERSION	STATUS
		02	RE
		REVISION	VERSION
		C	02
		REVISION	STATUS
		C	RE
		REVISION	REVISION
		C	C
			SHEET
			1 OF 1