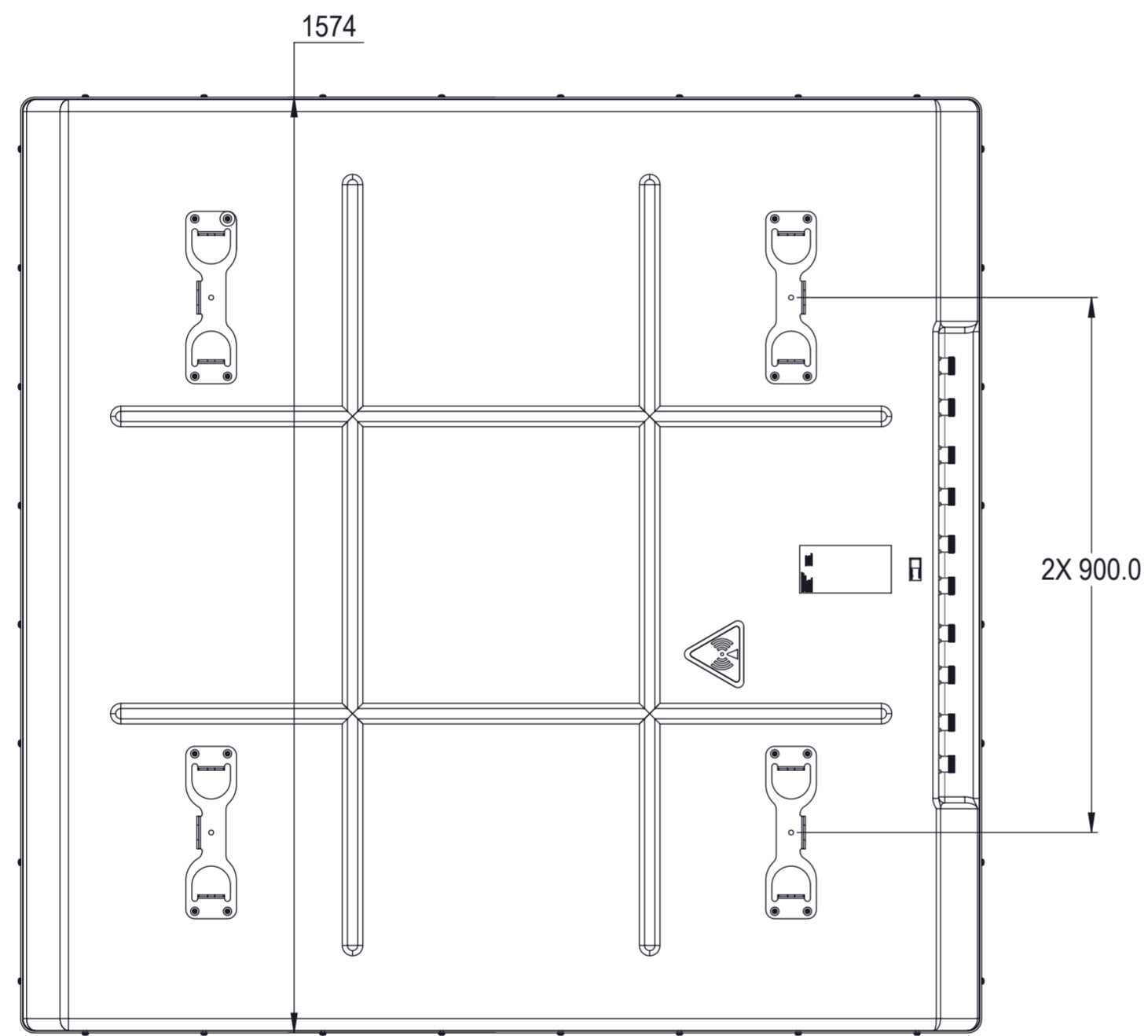
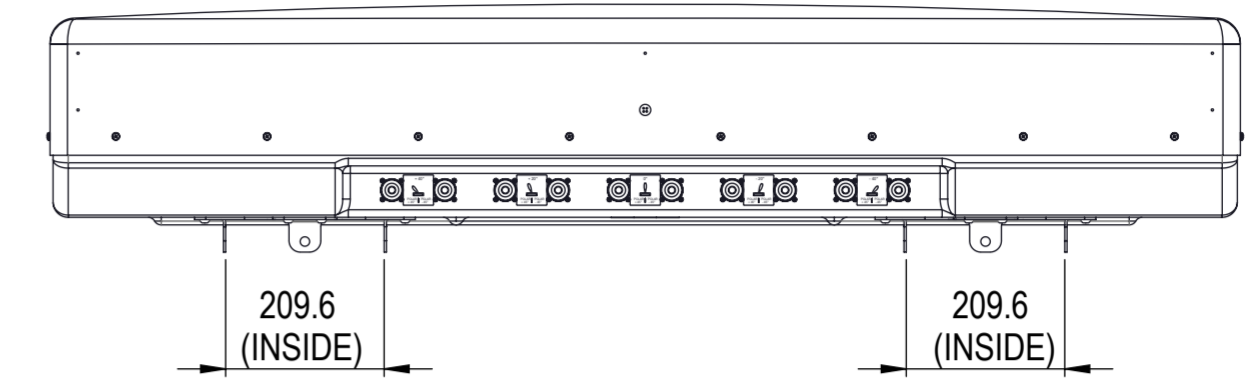
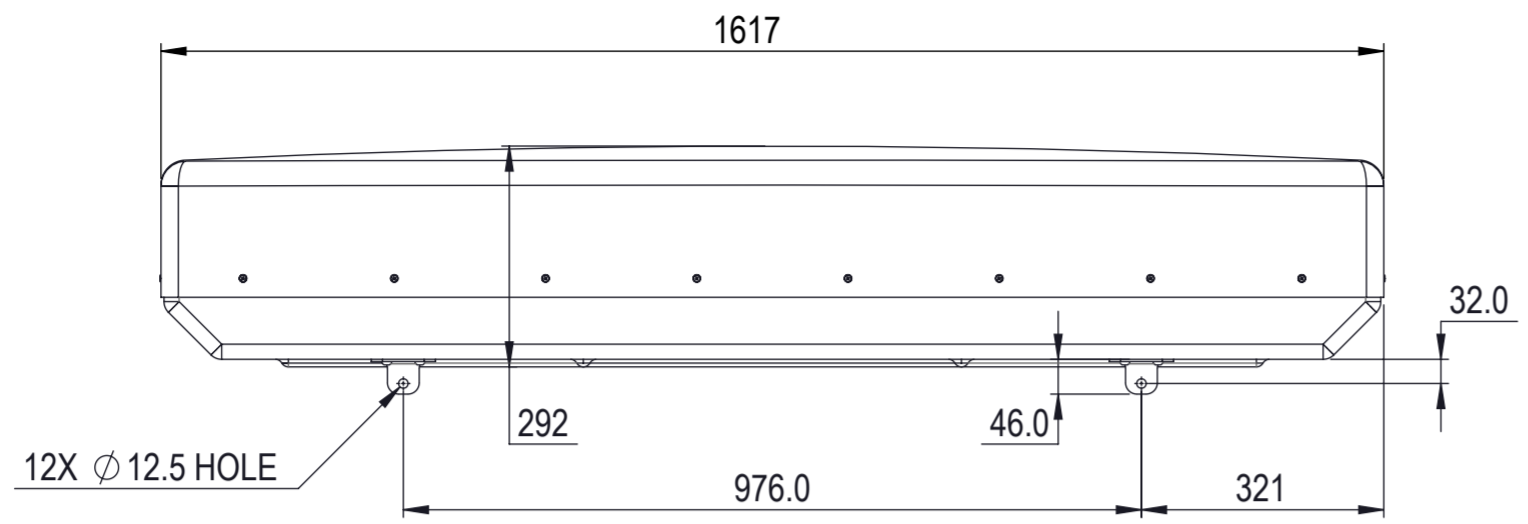


NOTES:

REVISIONS			
REV.	DESCRIPTION	DATE	APPROVED
A	ECR 8000011371: REL TO PRODUCTION.	01DEC15 MPP	MO/OI
B	ECR 8000019941: CHG SOME DIMS.	16FEB17 LS	AP/NH



5UPX0805F

COMMScope, INC. OF NORTH CAROLINA

TOLERANCES		SAP MATERIAL MASTER	
0 PLACE X ±	2 PLACE .XX ±		
1 PLACE .X ±	ANGLES ±		
FINISH		MATERIAL	

UNLESS OTHERWISE SPECIFIED DIMENSIONS ARE IN MILLIMETERS INTERPRET PER ISO STANDARDS HANDBOOK TECHNICAL DRAWINGS VOLUMES 1 & 2, THIRD EDITION (2002)	NAME	DATE	PRODUCT DRAWING
	CE PM1000	11/20/2015	
	RW SL1039	02/22/2017	
	RV AP1018	03/08/2017	
	AD ZH1011	03/08/2017	
	RE ZHHCHEN	03/10/2017	
ECN 8000019941-O			SCALE 1:1
			DOCUMENT NO. 5UPX0805F-L

DENSITY	g/mm ³	UNLESS OTHERWISE SPECIFIED DIMENSIONS ARE IN MILLIMETERS INTERPRET PER ISO STANDARDS HANDBOOK TECHNICAL DRAWINGS VOLUMES 1 & 2, THIRD EDITION (2002)
MASS	grams	
VOLUME	mm ³	
SURFACE AREA	mm ²	
HEIGHT		UNLESS OTHERWISE SPECIFIED DIMENSIONS ARE IN MILLIMETERS INTERPRET PER ISO STANDARDS HANDBOOK TECHNICAL DRAWINGS VOLUMES 1 & 2, THIRD EDITION (2002)
LENGTH		
WIDTH		

SIZE A2	WORK AREA 23	MODEL	DRAWING	SHEET
		VERSION	REVISION	1 OF 1
			01 RE B	