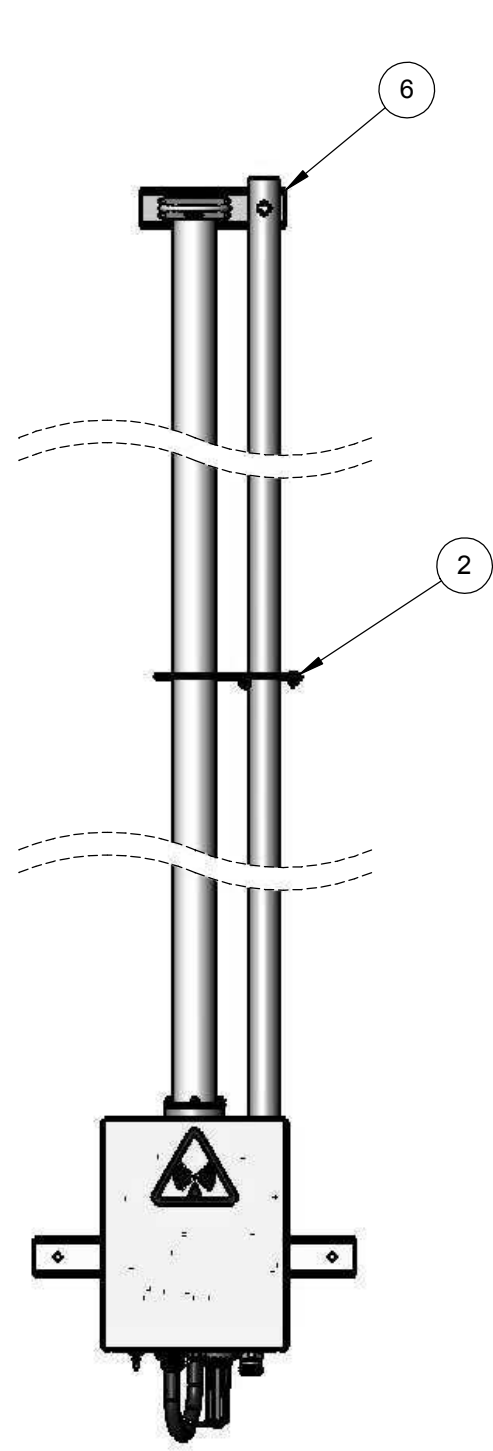
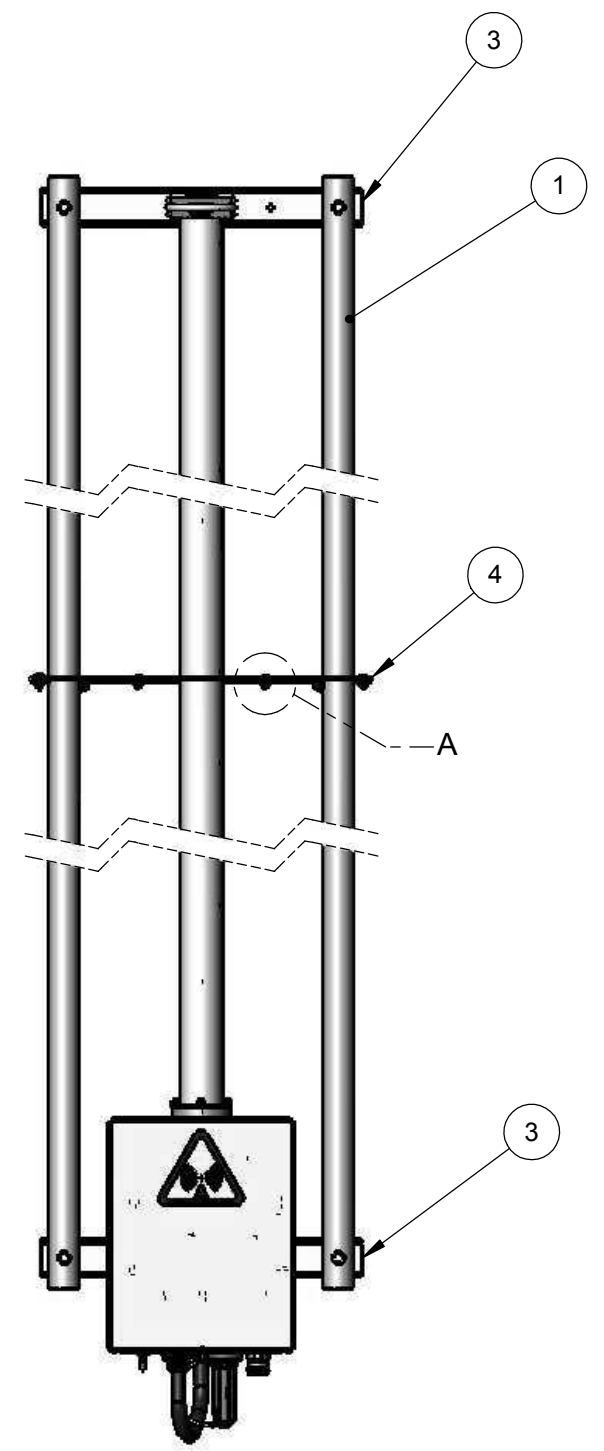


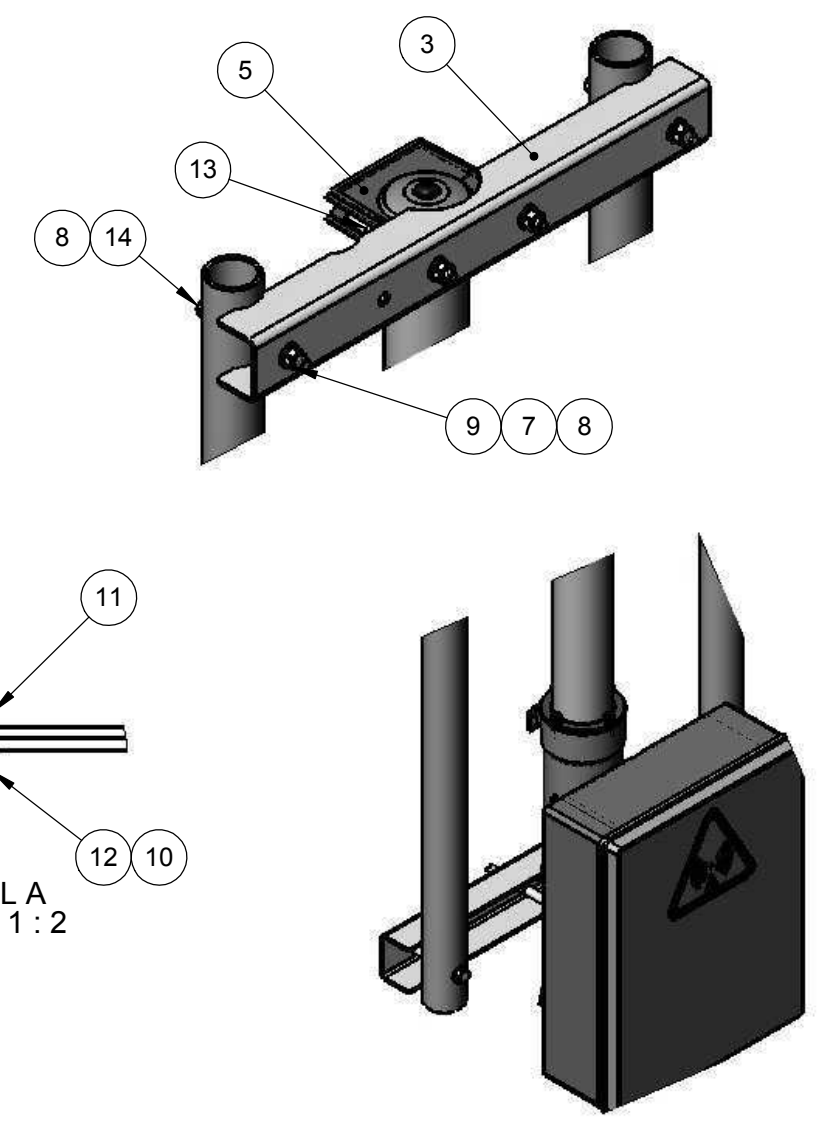
ZONE	REV.	ECR	DESCRIPTION	DRAWN BY	DATE
-	A	8000005895	INITIAL RELEASE		25/11/2014



CARDIOID CONFIGURATION



PEANUT CONFIGURATION





DETAIL A
SCALE 1 : 2

ITEM NO.	QTY.	PART NO.	DESCRIPTION
14	4	I00838	BOLT M8x90 HEX H'D SS304
13	2	I00837	U BOLT M8 SS
12	4	I00106	NUT HEX M6 NYLON
11	4	I00105	SCREW M6 X 16 HEX H'D NYLON
10	4	I00101	WASHER FLAT M6 NYLON
9	8	I00059	NUT HEX M8 SS304
8	12	I00013	WASHER FLAT M8 SS304
7	8	I00003	WASHER LOCK SPRING M8 SS304
6	1	A288-1037	BRACKET REFLECTOR, SHORT
5	2	A288-1035	CAP CLAMP, OMNI
4	2	A288-1034	LEXAN PLATE, LONG
3	2	A288-1033	BRACKET REFLECTOR, LONG
2	2	A288-1032	LEXAN PLATE, SHORT
1	2	A288-1031	POLE REFLECTOR 8, EL ASS'Y

NOTES

- MATERIALS CONTAINED IN THIS PART SHALL COMPLY WITH RoHS PROCEDURE A996-0182.

CONFIDENTIAL

UNLESS OTHERWISE SPECIFIED DIMENSIONS ARE IN MILLIMETRES. TOLERANCES ARE:		DESCRIPTION:		DWG REV	
0 - 20	±0.1	HOLE Ø	±0.5	UPK008SP	
>20-100	±0.2	HOLE Ø	±0.5	A	
>100-200	±0.5	ANGULAR	±0.5°	DATE:	
>200	± 1			25/11/2014	
DRAWN TO AS1100			PART/DWG NUMBER:		SCALE:
			A288-6001		1:10 A3
			MATERIAL:		DRAWN:
			N/A		G.J
			FINISH:		SHEET 1 OF 1
			N/A		G.J