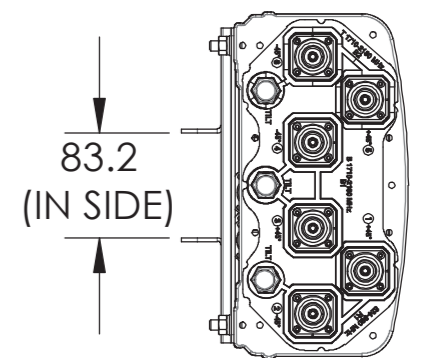
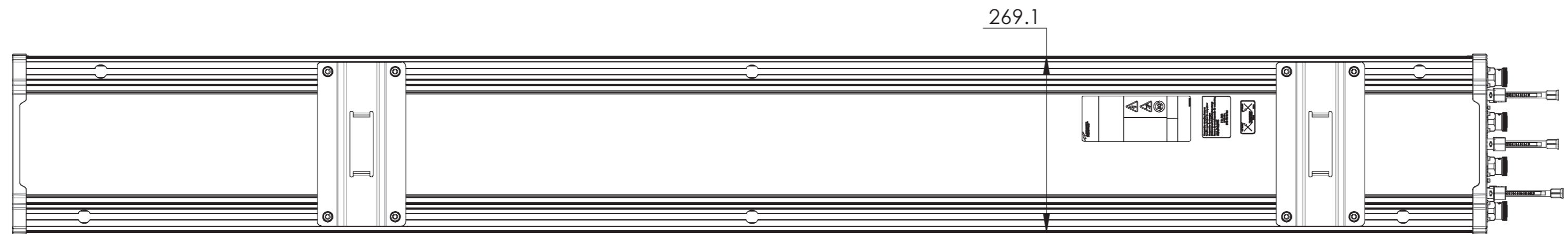
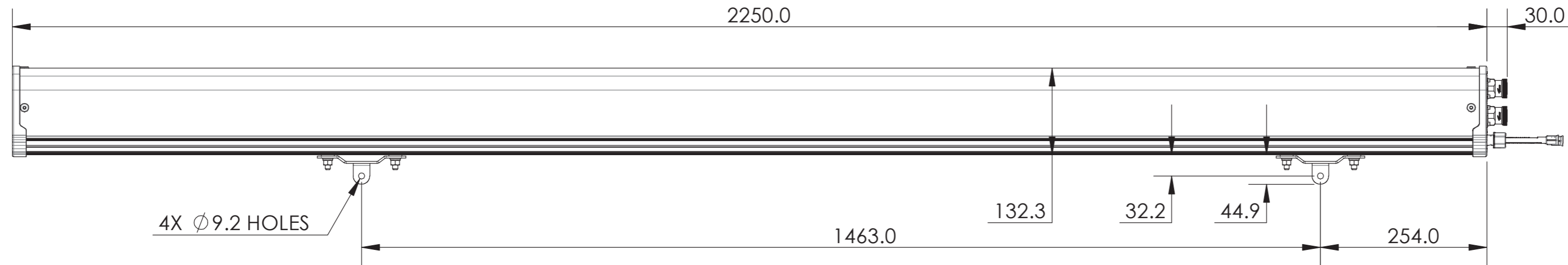


NOTES:

REVISIONS			
REV	DESCRIPTION	DATE	APPROVED
A	ECR 5074943: RELEASE TO PRODUCTION PER EAO 4003700.	13MAY08 K.W	PB/SS
J	ECR 8000000777: UPDATE DRAWING.	6/13/13 YR	EB/GD
K	ECR 8000000826: UPDATE DRAWING.	6/24/13 J.H	S.LIU/JIHE
L	ECR 8000004982: UPDATE DRAWING.	01SEP14 YMH	S.LIU/JIHE
M	ECR 8000005009: ADD DXF FILES.	04SEP14 XHX	S.LIU/JIHE



TBXLHA-6565B-VTM

MATERIAL N/A	DENSITY: MASS:	UNLESS OTHERWISE SPECIFIED DIMENSIONS ARE IN MILLIMETERS INTERPRET PER ISO STANDARDS HANDBOOK TECHNICAL DRAWINGS, VOLUMES 1 & 2, THIRD EDITION (2002)	WESTCHESTER, IL. 60154 U.S.A.	
FINISH N/A	TOLERANCES 0 PLACE X ± 1 PLACE .X ± 2 PLACE .XX ± ANGLES ± ALL SURFACES ✓	THIRD ANGLE PROJECTION 	PRODUCT DRAWING	
DRAWN BY K.W 13MAY08		SIZE A2 84147	CAGE CODE	DOCUMENT NO.
ECN 8000005009-O		MODEL	TBXLHA-6565B-VTM-L	
AUTH. GROUP 23		VERSION	STATUS	REVISION
NOTICE: These drawings and specifications are the proprietary property of ANDREW CORPORATION and may be used only for the specific purpose authorized in writing by Andrew.		07	RE	H
		VERSION	STATUS	REVISION
		11	RE	M
				SHEET 1 OF 6

4

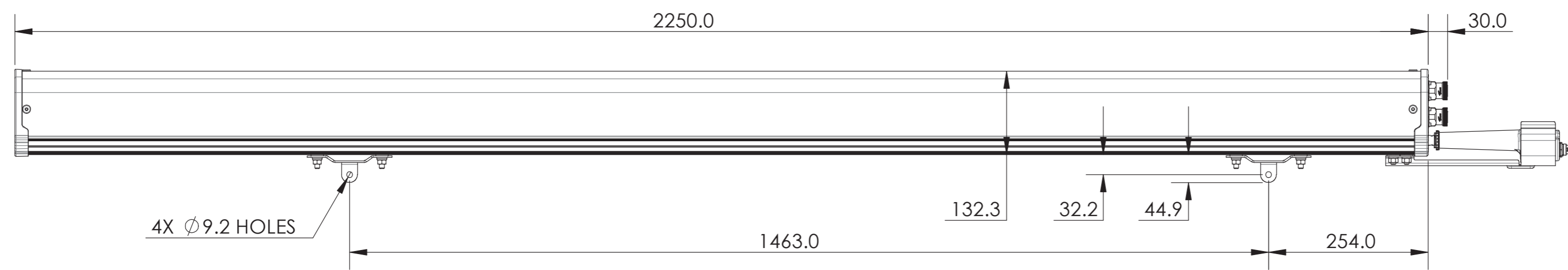
3

2

1

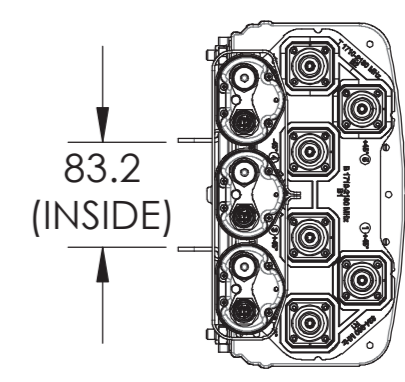
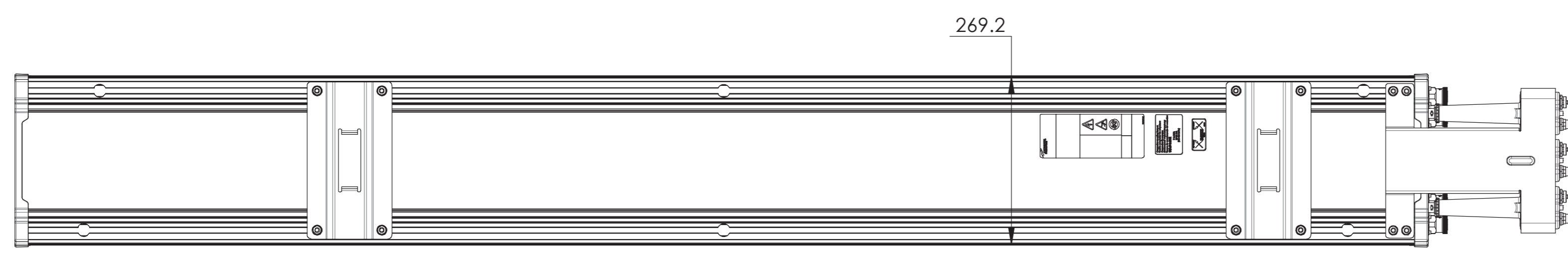
D

D



C

C



B

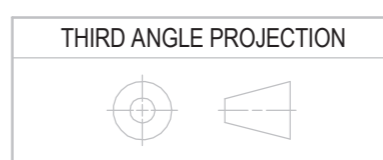
B

TBXLHA-6565B-R2M
 TBXLHA-6565B-A3M
 TBXLHA-6565B-E3M

A

A

		WESTCHESTER, IL. 60154 U.S.A.	
		PRODUCT DRAWING	
SIZE	CAGE CODE	DOCUMENT NO.	
A2	84147	TBXLHA-6565B-VTM-L	
VERSION	STATUS	REVISION	SHEET
11	RE	M	2 OF 6



NOTICE: These drawings and specifications are the proprietary property of ANDREW CORPORATION and may be used only for the specific purpose authorized in writing by Andrew.

4

3

2

1

THIRD ANGLE PROJECTION

4

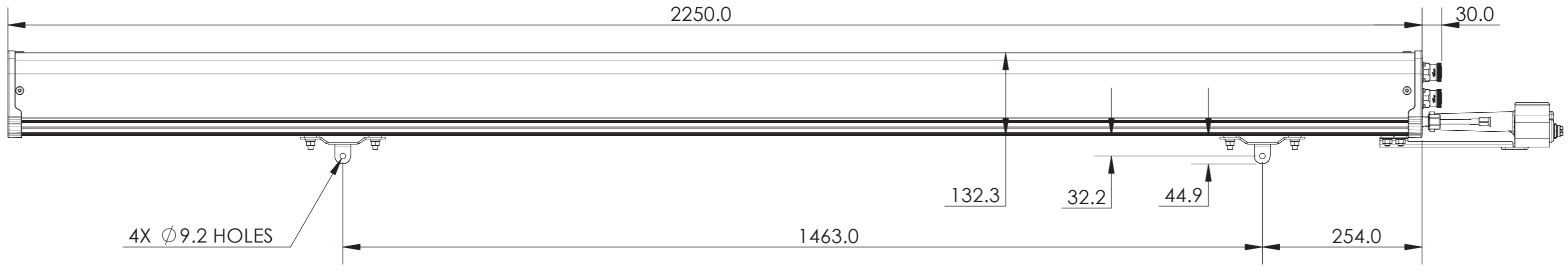
3

2

1

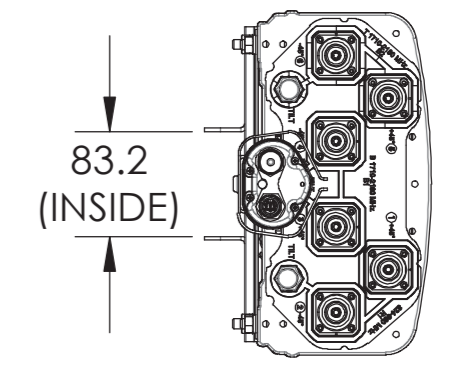
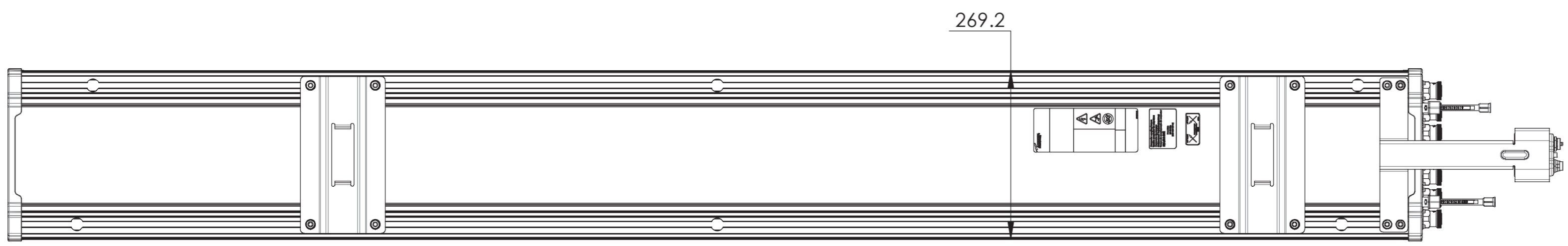
D

D



C

C



B

B

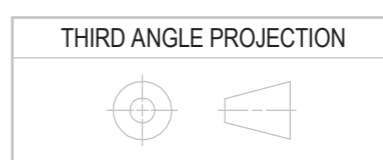
TBXLHA-6565B-A1M
 TBXLHA-6565B-E1M
 TBXLHA-6565B-R1M

A

A

ANDREW WESTCHESTER, IL. 60154
 U.S.A.

PRODUCT DRAWING



SIZE	CAGE CODE	DOCUMENT NO.
A2	84147	TBXLHA-6565B-VTM-L

NOTICE: These drawings and specifications are the proprietary property of ANDREW CORPORATION and may be used only for the specific purpose authorized in writing by Andrew.	VERSION	STATUS	REVISION	SHEET
	11	RE	M	3 OF 6

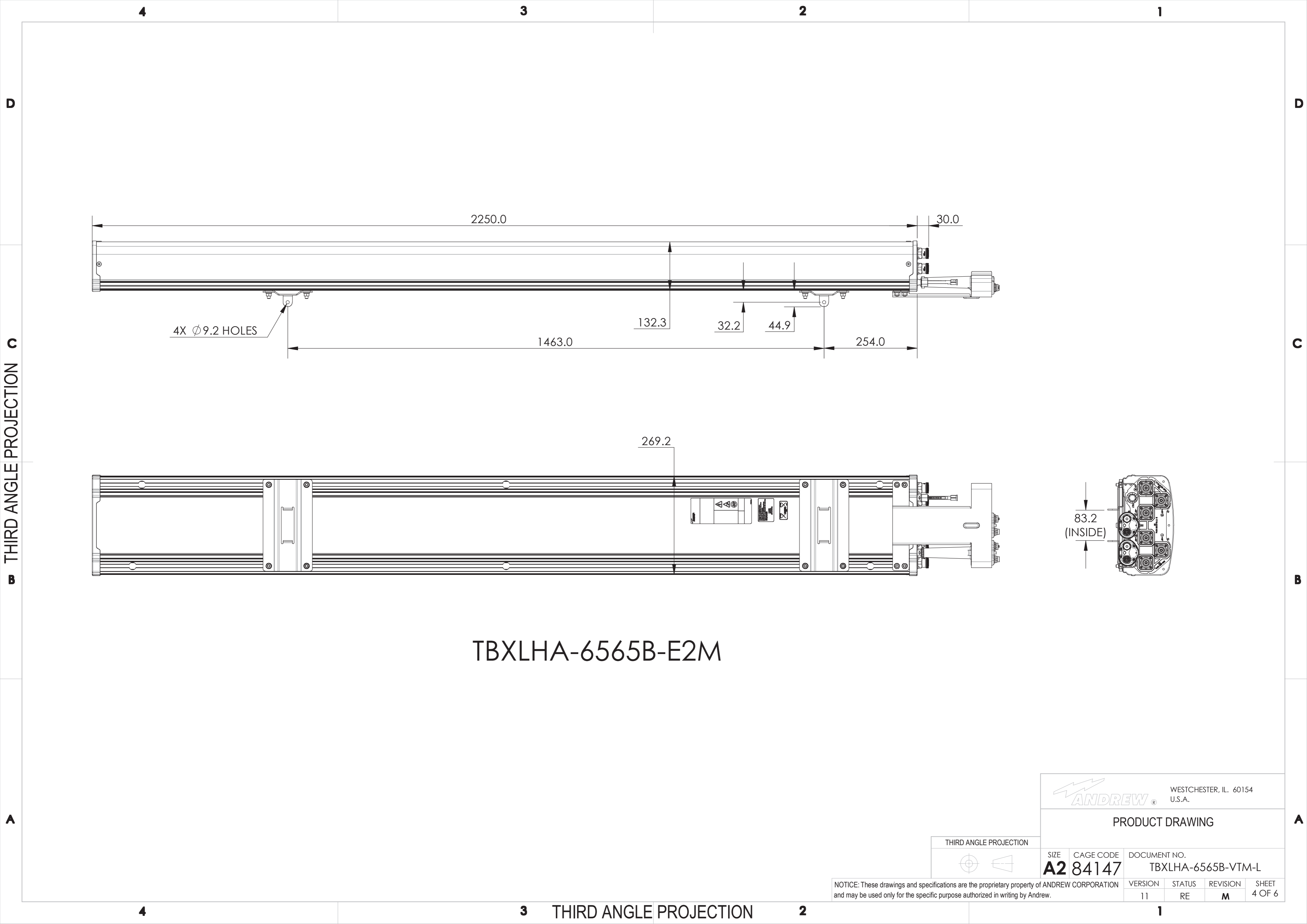
4

3

2

1

THIRD ANGLE PROJECTION



TBXLHA-6565B-E2M

		WESTCHESTER, IL. 60154 U.S.A.	
		PRODUCT DRAWING	
SIZE	CAGE CODE	DOCUMENT NO.	
A2	84147	TBXLHA-6565B-VTM-L	
VERSION	STATUS	REVISION	SHEET
11	RE	M	4 OF 6

THIRD ANGLE PROJECTION

NOTICE: These drawings and specifications are the proprietary property of ANDREW CORPORATION and may be used only for the specific purpose authorized in writing by Andrew.

3 THIRD ANGLE PROJECTION 2

4

1

4

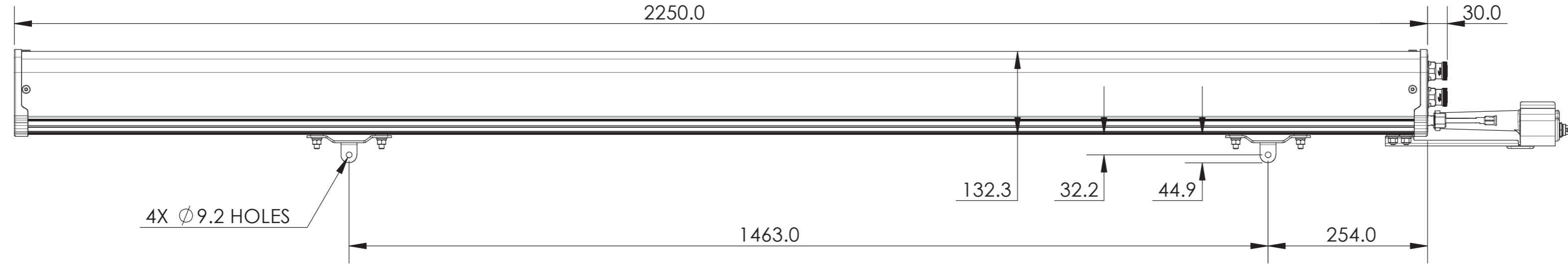
3

2

1

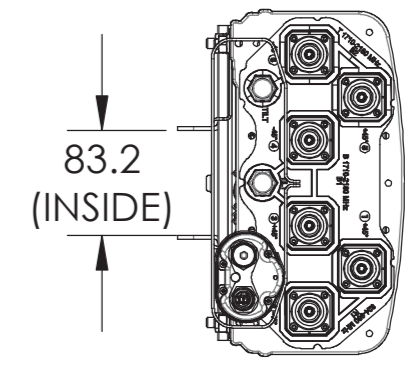
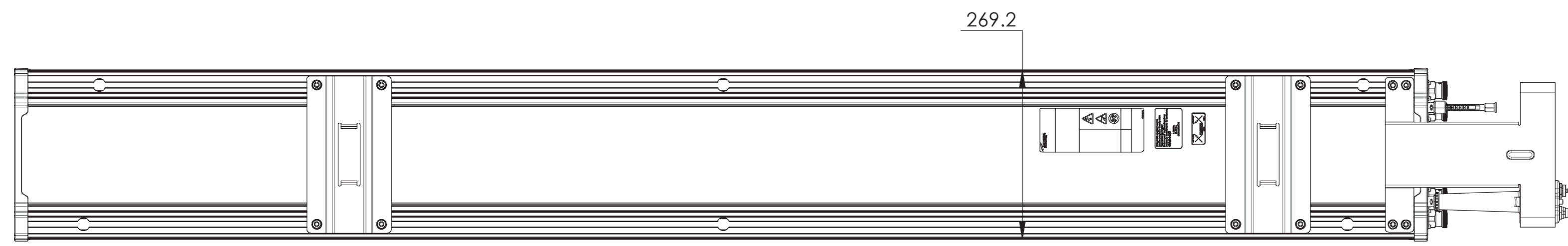
D

D



THIRD ANGLE PROJECTION C

C



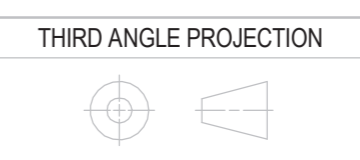
TBXLHA-6565B-ELM

A

A

ANDREW® WESTCHESTER, IL. 60154 U.S.A.

PRODUCT DRAWING



SIZE	CAGE CODE	DOCUMENT NO.
A2	84147	TBXLHA-6565B-VTM-L
VERSION	STATUS	REVISION
11	RE	M
		SHEET
		5 OF 6

NOTICE: These drawings and specifications are the proprietary property of ANDREW CORPORATION and may be used only for the specific purpose authorized in writing by Andrew.

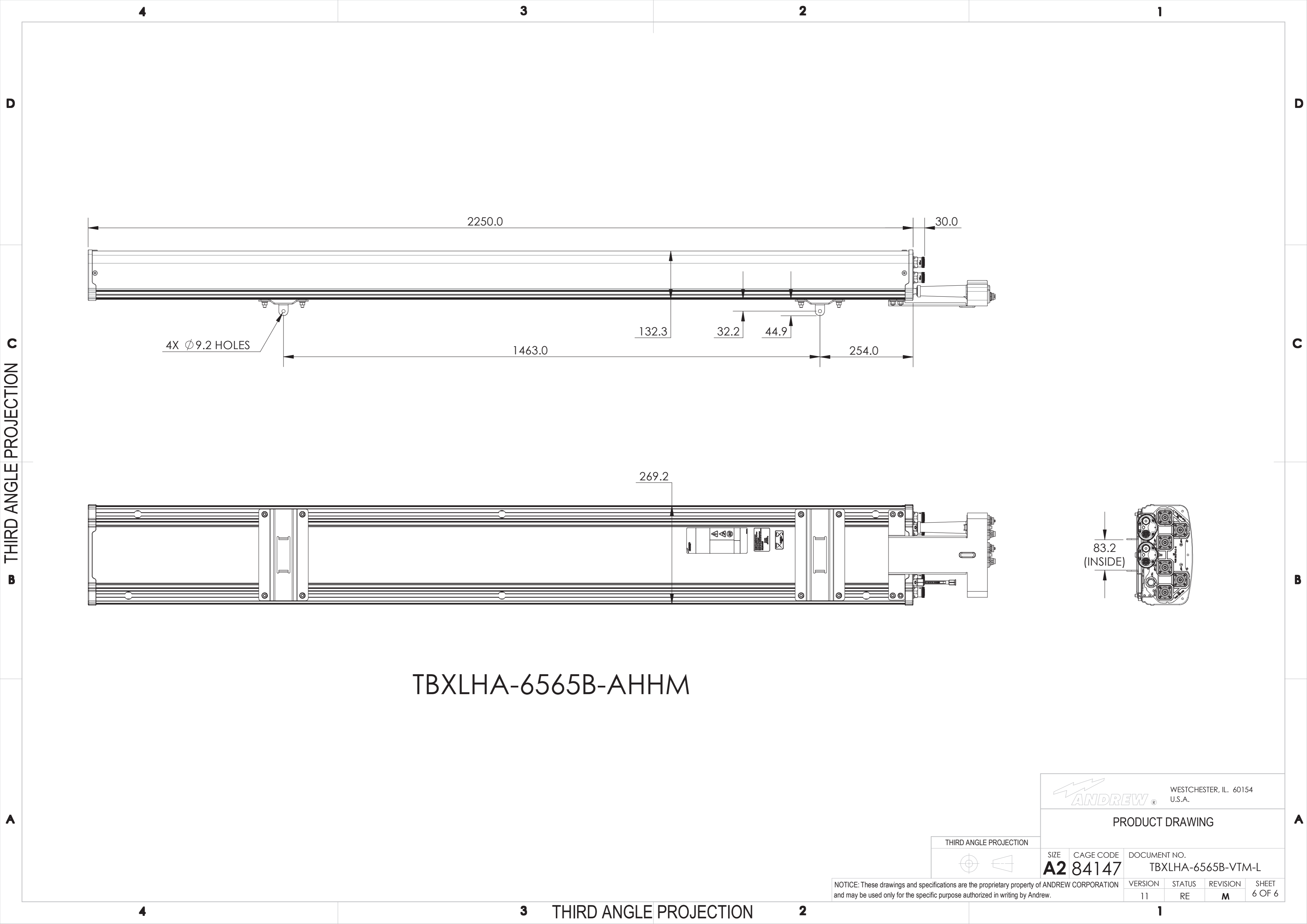
4

3

2

1

THIRD ANGLE PROJECTION



TBXLHA-6565B-AHHM

ANDREW® WESTCHESTER, IL. 60154
U.S.A.

PRODUCT DRAWING

THIRD ANGLE PROJECTION		SIZE	CAGE CODE	DOCUMENT NO.	VERSION	STATUS	REVISION	SHEET
		A2	84147	TBXLHA-6565B-VTM-L	11	RE	M	6 OF 6

NOTICE: These drawings and specifications are the proprietary property of ANDREW CORPORATION and may be used only for the specific purpose authorized in writing by Andrew.