

8

7

6

5

4

3

2

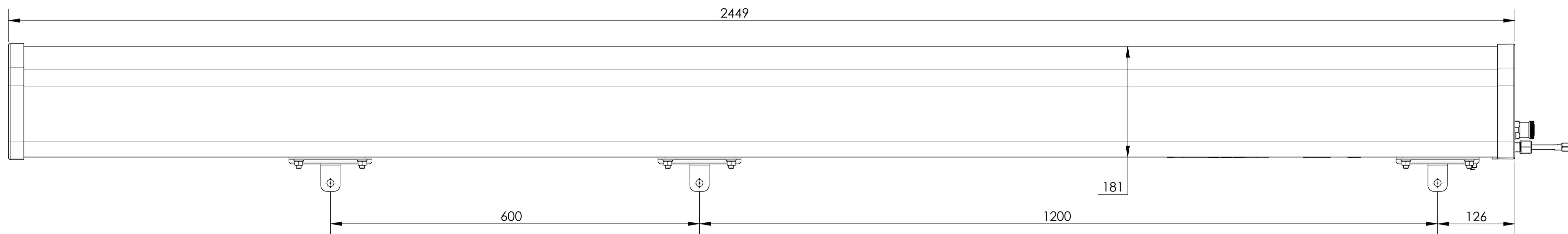
1

NOTES:

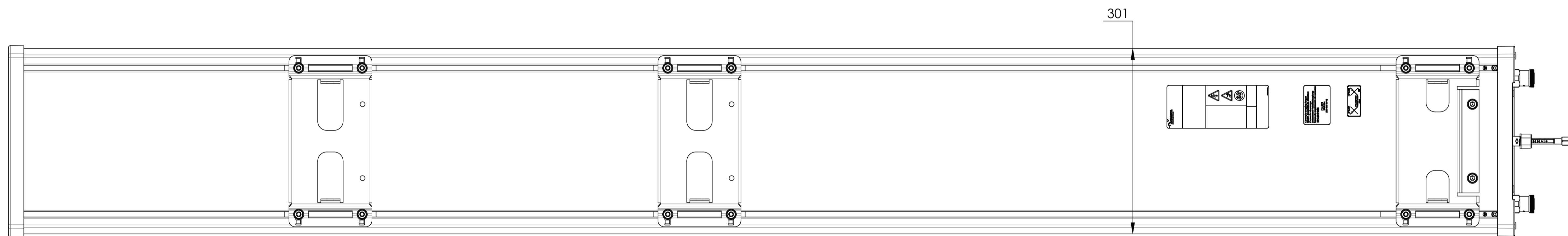
REVISIONS			
REV	DESCRIPTION	DATE	APPROVED
A	ECR 5086696: REL TO PRODUCTION EE: HDUN ME: L.YU	15AUG11 HQ	L.YU/HDUN
B	ECR 7001202: UPDATE DRAWING WITH LATEST MODEL.	12APR12 ZYL	XA/MB
C	ECR 8000000229: UPDATE DRAWING.	29MAR13 DYT	EB/GD

D

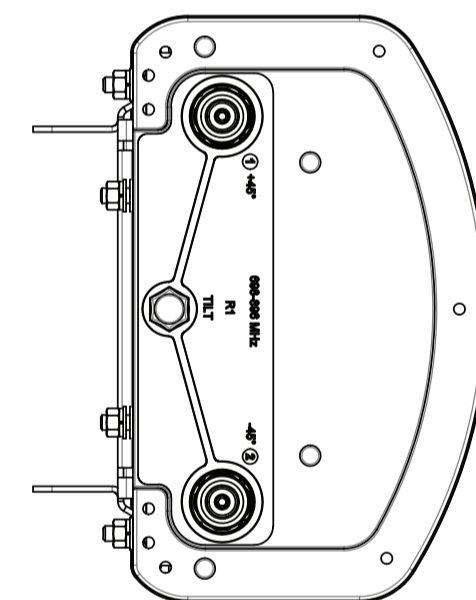
D



C



B



A

LNX-8514DS-VTM

A

MATERIAL	DENSITY:	UNLESS OTHERWISE SPECIFIED DIMENSIONS ARE IN MILLIMETERS INTERPRET PER ISO STANDARDS HANDBOOK TECHNICAL DRAWINGS, VOLUMES 1 & 2, THIRD EDITION (2002)	WESTCHESTER, IL. 60154 U.S.A.					
	MASS:		ANDREW					
FINISH	TOLERANCES	THIRD ANGLE PROJECTION	PRODUCT DRAWING					
	0 PLACE X ± 3 1 PLACE .X ± 1.0 2 PLACE .XX ± 0.20 ANGLES ± 0.5° ALL SURFACES ✓		DRAWN BY HOQIAN 27SEP11 ECN 8000000229-O AUTH. GROUP 23	SIZE A1 CAGE CODE 84147 MODEL	DOCUMENT NO. LNX-8514DS-VTM-L			
NOTICE: These drawings and specifications are the proprietary property of ANDREW CORPORATION and may be used only for the specific purpose authorized in writing by Andrew.		VERSION 04	STATUS RE	REVISION D	VERSION 03	STATUS RE	REVISION C	SHEET 1 OF 2

8

7

6

THIRD ANGLE PROJECTION

3

2

1

8

7

6

5

4

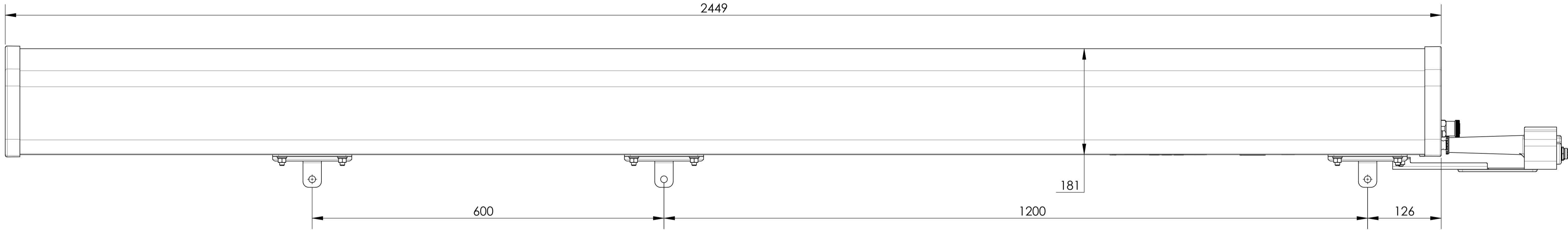
3

2

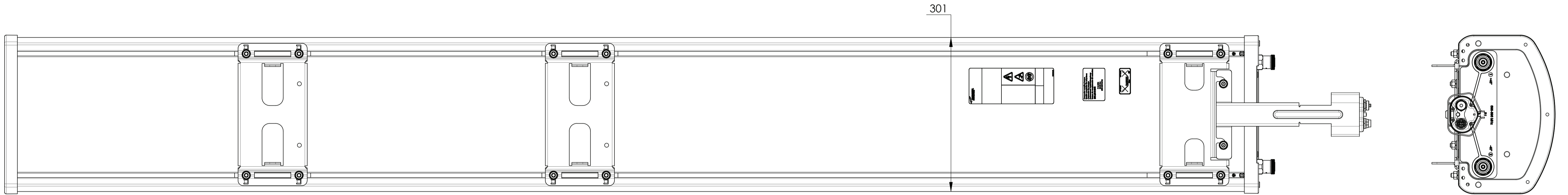
1

D

D



C



B

LNX-8514DS-R2M
LNX-8514DS-A1M

A

A

ANDREW WESTCHESTER, IL. 60154
U.S.A.

PRODUCT DRAWING

THIRD ANGLE PROJECTION



SIZE **A1** CAGE CODE **84147**

DOCUMENT NO. **LNX-8514DS-VTM-L**

NOTICE: These drawings and specifications are the proprietary property of ANDREW CORPORATION and may be used only for the specific purpose authorized in writing by Andrew.

VERSION	STATUS	REVISION	SHEET
03	RE	C	2 OF 2

8

7

6

THIRD ANGLE PROJECTION

3

2

1