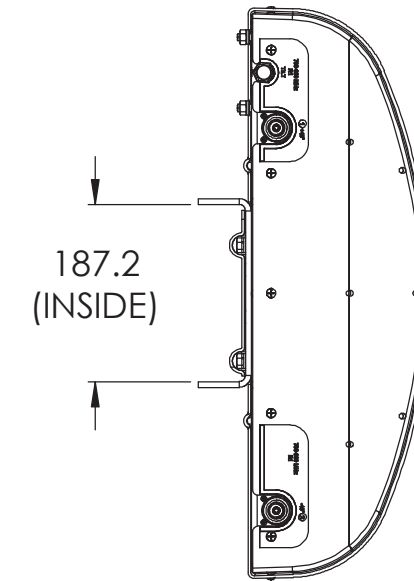
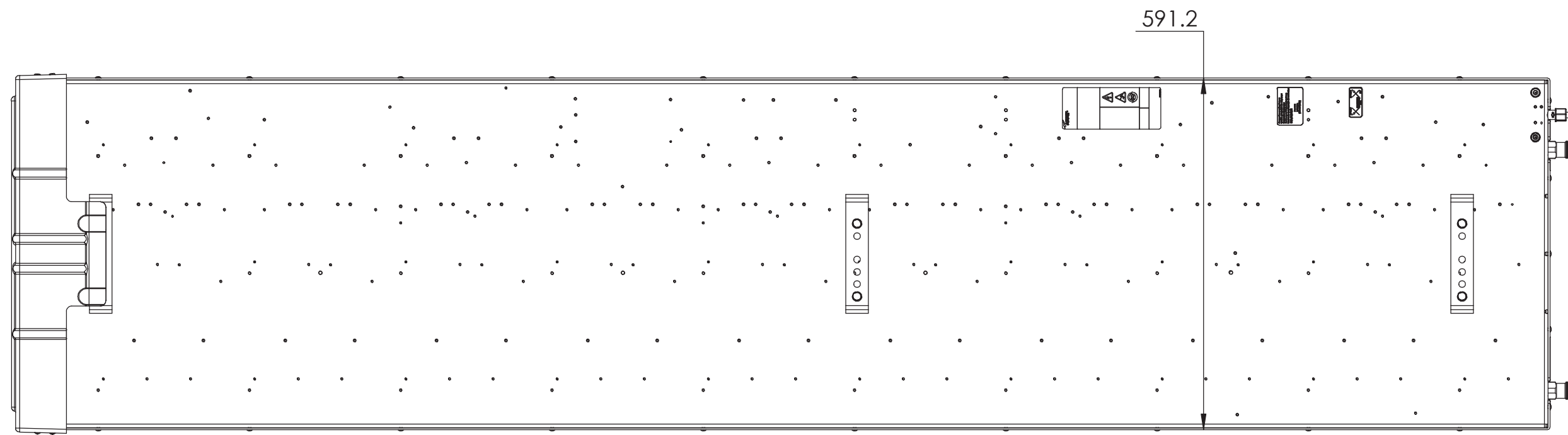
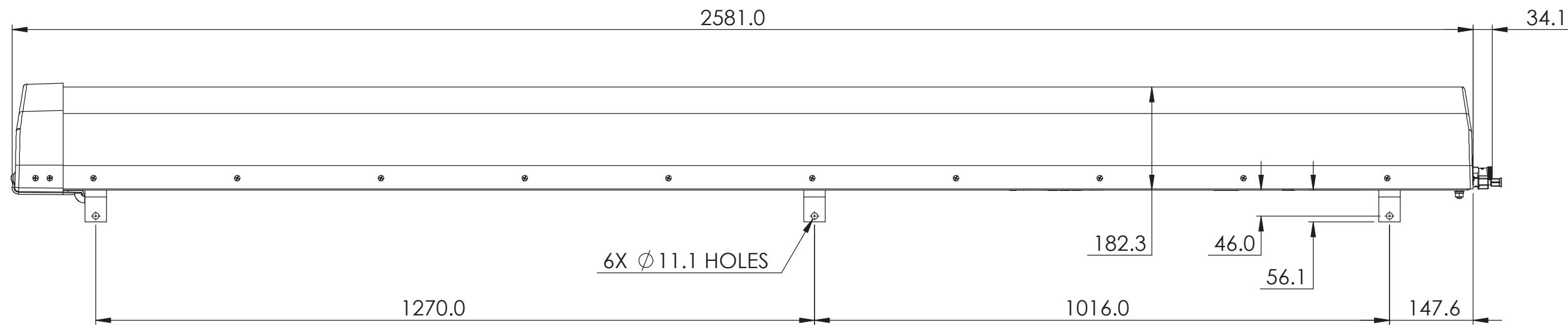


NOTES:

| REVISIONS |   |             |            |
|-----------|---|-------------|------------|
| REV.      | DESCRIPTION                                       | DATE        | APPROVED   |
| A         | ECR 8000006395: REL TO PRODUCTION PER EAO 602381. | 06FEB15 SJT | S.LIU/JIHE |



LDX-3319DS-VTM

COMMSCOPE, INC. OF NORTH CAROLINA

|               |               |                     |
|---------------|---------------|---------------------|
| DENSITY:      | TOLERANCES    | SAP MATERIAL MASTER |
| MASS:         | 0 PLACE X ±   |                     |
| VOLUME:       | 1 PLACE .X ±  |                     |
| SURFACE AREA: | 2 PLACE .XX ± |                     |
|               | ANGLES ±      |                     |

|        |          |
|--------|----------|
| FINISH | MATERIAL |
|--------|----------|

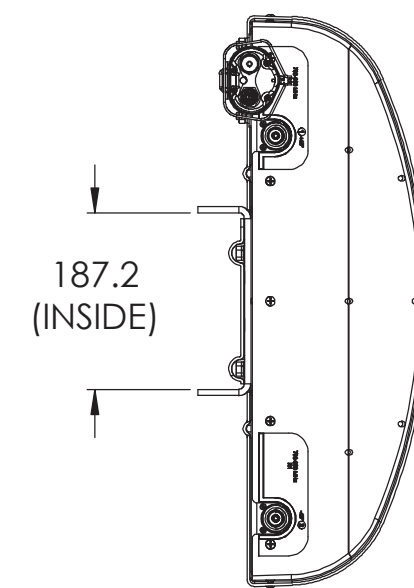
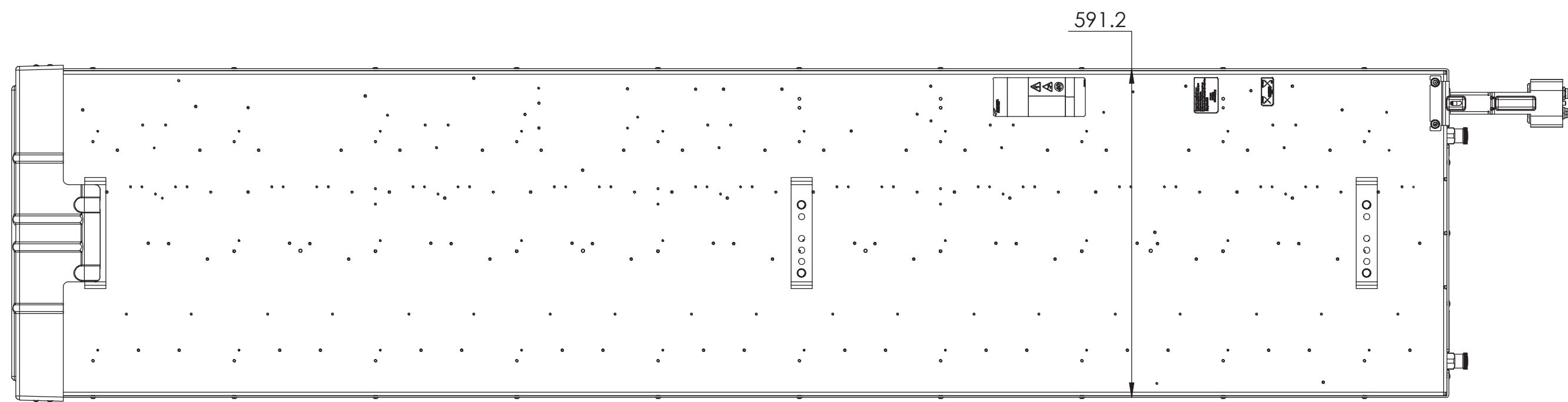
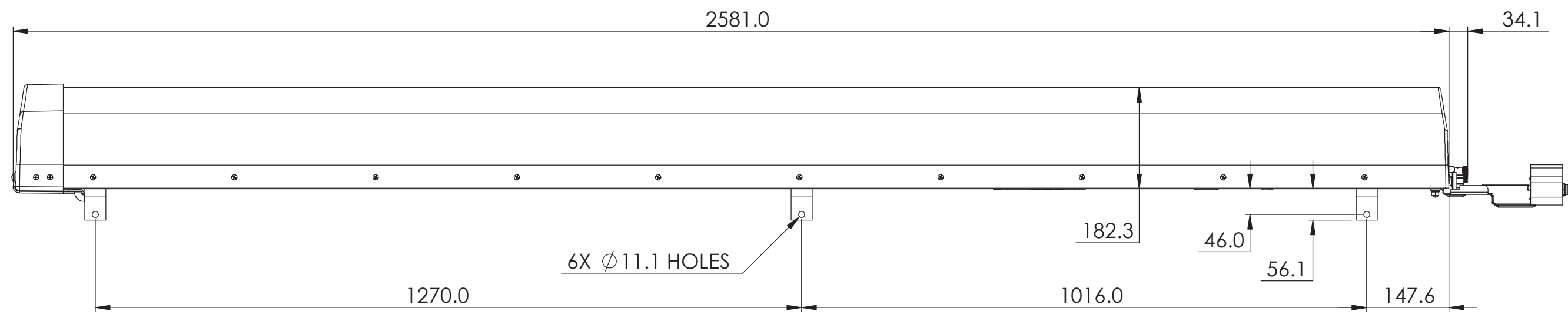
|  |                |                  |                 |
|--|----------------|------------------|-----------------|
| UNLESS OTHERWISE SPECIFIED DIMENSIONS ARE IN MILLIMETERS INTERPRET PER ISO STANDARDS HANDBOOK TECHNICAL DRAWINGS VOLUMES 1 & 2, THIRD EDITION (2002) | NAME           | DATE             | TITLE           |
|  | CE JS1061      | 2/6/2015         | PRODUCT DRAWING |
|  | RW JS1061      | 02/05/2015       |                 |
|  | RV CHALIU      | 02/06/2015       |                 |
|  | AD JIHE        | 02/06/2015       |                 |
|  | RE BYUAN       | 02/06/2015       |                 |
| ECN 8000006395-O   | SIZE <b>A2</b> | SCALE <b>1:8</b> |                 |

© 2015 CommScope, Inc.  
 NOTICE: These drawings and specifications are the proprietary property of COMMSCOPE, INC. and may be used only for the specific purpose authorized in writing by COMMSCOPE, INC.

|        |              |           |    |         |         |          |
|--------|--------------|-----------|----|---------|---------|----------|
| HEIGHT | ALL SURFACES | WORK AREA | 23 | MODEL   | DRAWING | SHEET    |
| LENGTH | ✓            | ⊕         | ▱  | VERSION | STATUS  | REVISION |
| WIDTH  |              |           |    | 00      | RE      | <b>A</b> |
|        |              |           |    | 00      | RE      | <b>A</b> |

1 OF 2

NOTES:



LDX-3319DS-A1M

|                                   |            |                  |        |       |
|-----------------------------------|------------|------------------|--------|-------|
| COMMSCOPE, INC. OF NORTH CAROLINA |            |                  |        |       |
| TITLE                             |            |                  |        |       |
| PRODUCT DRAWING                   |            |                  |        |       |
| SIZE                              | SCALE      | DOCUMENT NO.     |        |       |
| <b>A2</b>                         | <b>1:8</b> | LDX-3319DS-VTM-L |        |       |
| DRAWING                           |            |                  |        | SHEET |
| VERSION                           | STATUS     | REVISION         | 2 OF 2 |       |
| 00                                | RE         | <b>A</b>         |        |       |

© 2015 CommScope, Inc.  
 NOTICE: These drawings and specifications are the proprietary property of COMMSCOPE, INC. and may be used only for the specific purpose authorized in writing by COMMSCOPE, INC.