

4

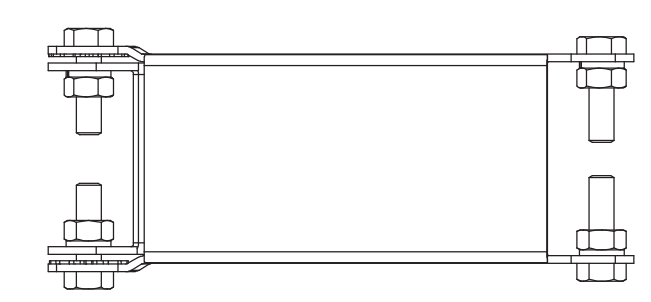
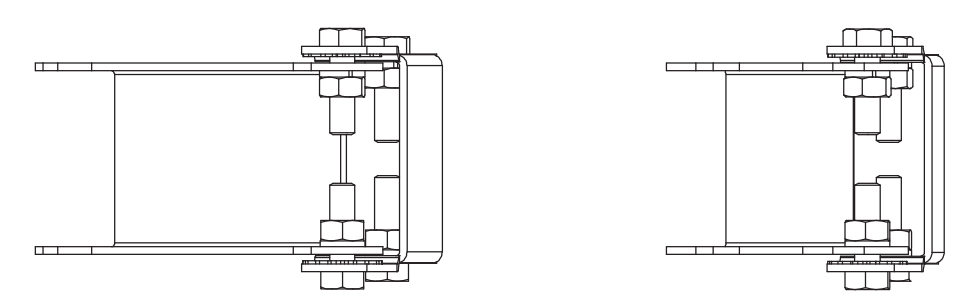
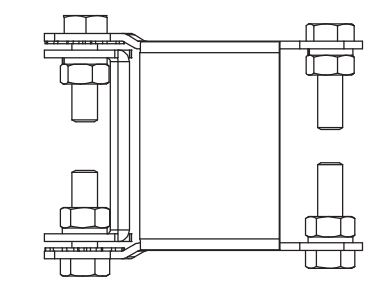
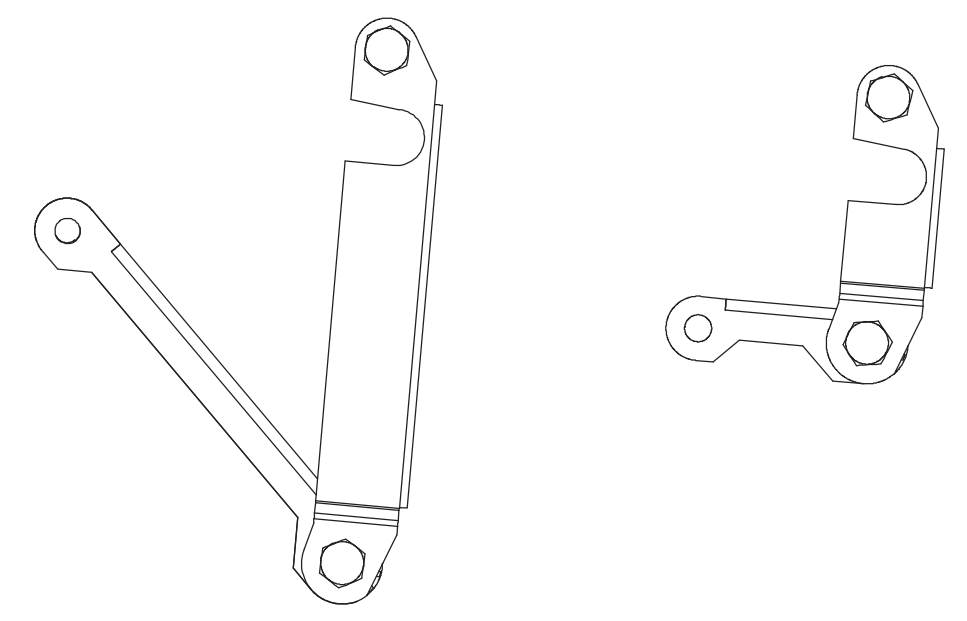
3

2

1


NOTES:

REVISIONS			
REV	DESCRIPTION	DATE	APPROVED
A	ECR 8000003574: REL TO PRODUCTION PER EAO 601665	17SEP14 JJH	MB XA



DB5098-3

CONFIDENTIAL

MATERIAL N/A	DENSITY: N/A MASS: 5 Kg	UNLESS OTHERWISE SPECIFIED DIMENSIONS ARE IN MILLIMETERS INTERPRET PER ISO STANDARDS HANDBOOK TECHNICAL DRAWINGS, VOLUMES 1 & 2, THIRD EDITION (2002)	 WESTCHESTER, IL. 60154 U.S.A.	
	TOLERANCES 0 PLACE X ± 1 PLACE .X ± 2 PLACE .XX ± ANGLES ± ALL SURFACES ✓			
FINISH N/A	DRAWN BY JJH 17SEP14 ECN 8000003574-O	AUTH. GROUP 23	SIZE A2 CAGE CODE 84147	DOCUMENT NO. DB5098-3-L
	NOTICE: These drawings and specifications are the proprietary property of ANDREW CORPORATION and may be used only for the specific purpose authorized in writing by Andrew.		MODEL VERSION STATUS REVISION 00 RE A	DRAWING VERSION STATUS REVISION 00 RE A

4

3

2

1