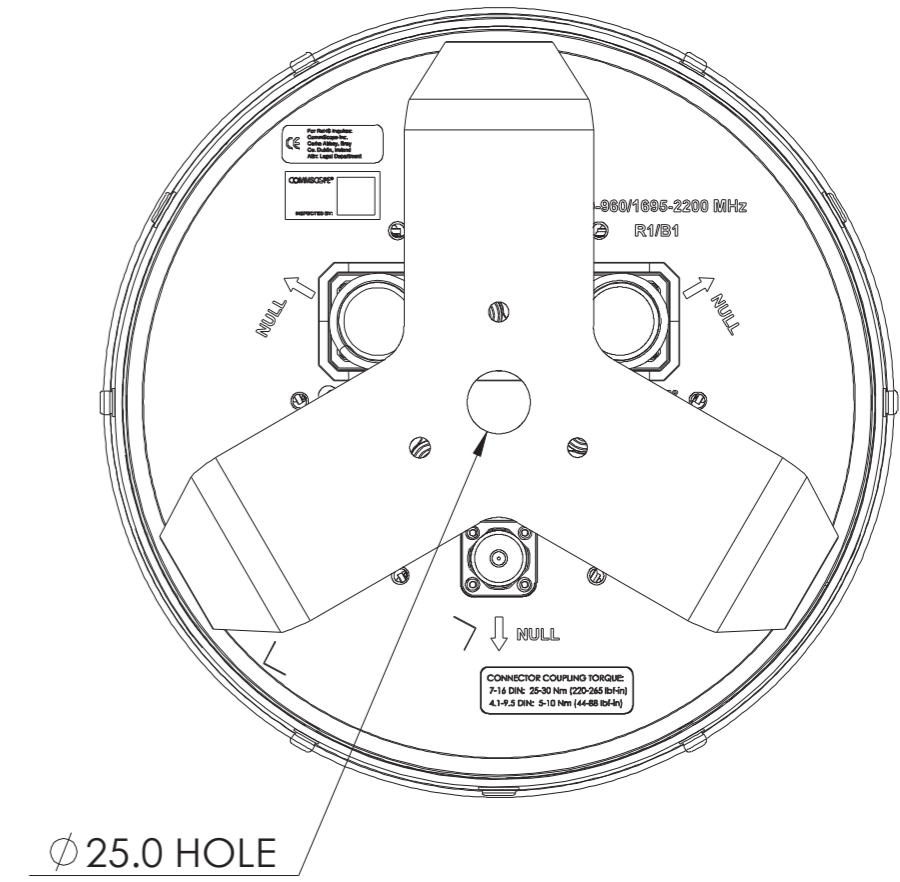
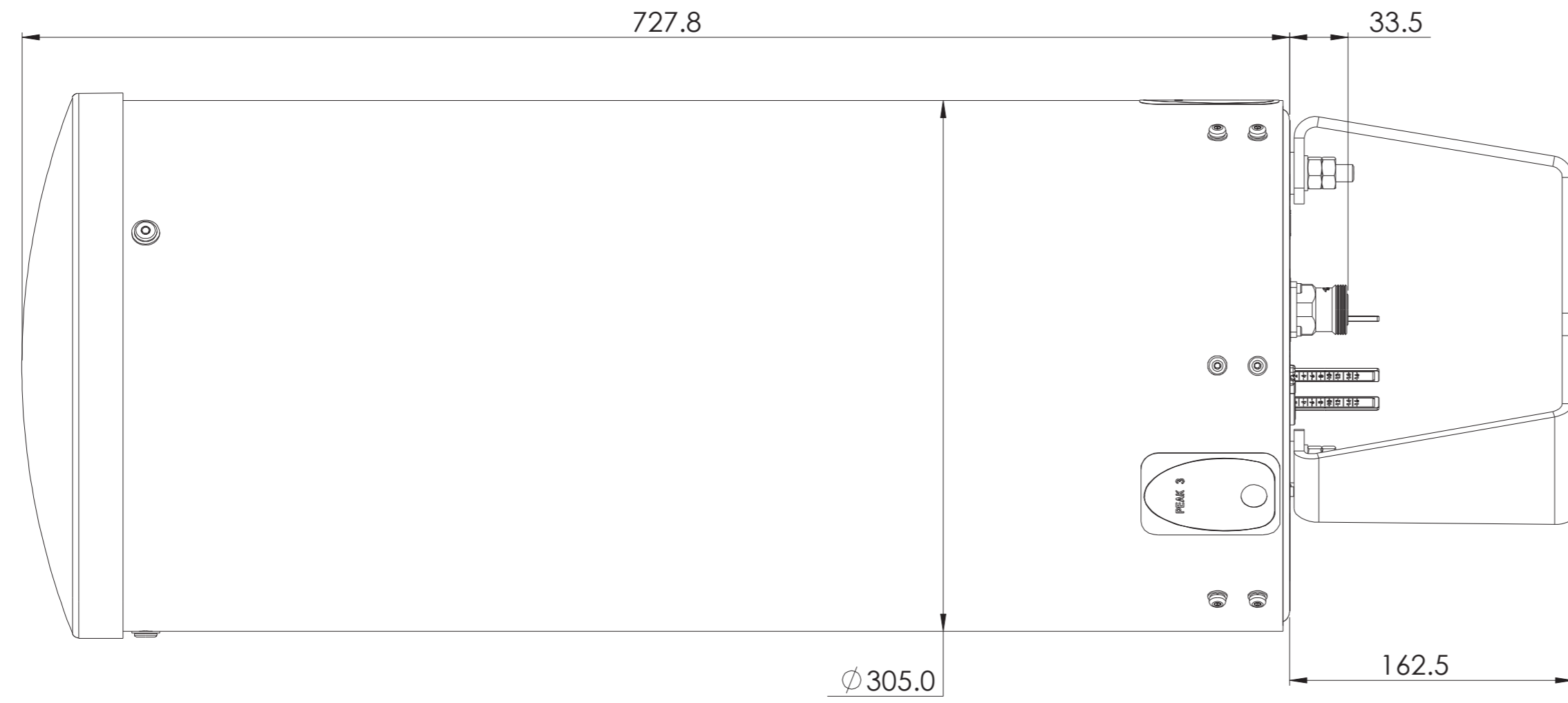


NOTES:

REVISIONS			
REV.	DESCRIPTION	DATE	APPROVED
A	ECR 8000006517: REL TO PRODUCTION PER EAO 602420.	24JUN15 HH	HQ/WFW



CH360QS-DG-F2M

<b>COMMSCOPE, INC. OF NORTH CAROLINA</b>														
TOLERANCES						SAP MATERIAL MASTER								
0 PLACE X ±			2 PLACE XX ±											
1 PLACE .X ±			ANGLES ±											
FINISH N/A						MATERIAL N/A								
<b>PRODUCT DRAWING</b>														
ECN 8000006517-O														
SCALE <b>1:3</b> DOCUMENT NO. <b>CH360QS-DG-F2M-L</b>														
SIZE			WORK AREA			MODEL			DRAWING			SHEET		
<b>A2</b>			23			AD			AD			1 OF 1		
VERSION			STATUS			REVISION			VERSION			STATUS		
00			AD			A			00			AD		

DENSITY	g/mm <sup>3</sup>
MASS	grams
VOLUME	mm <sup>3</sup>
SURFACE AREA	mm <sup>2</sup>

© 2015 CommScope, Inc. Confidential

UNLESS OTHERWISE SPECIFIED  
DIMENSIONS ARE IN MILLIMETERS  
INTERPRET PER ISO STANDARDS  
HANDBOOK TECHNICAL DRAWINGS  
VOLUMES 1 & 2, THIRD EDITION (2002)