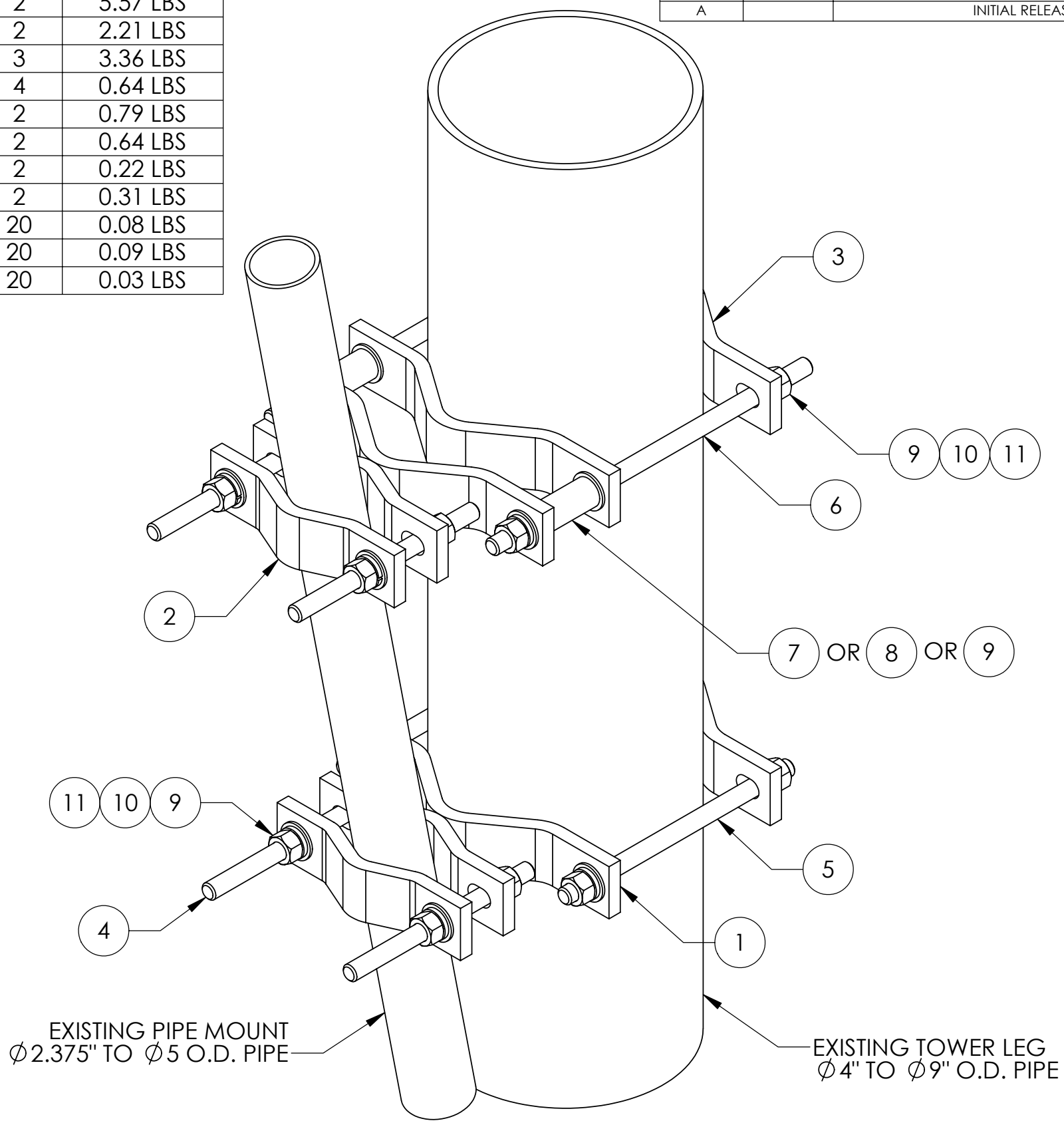



ITEM	PART NO.	DESCRIPTION	QTY.	WEIGHT
1	JSS	DISH TO MEDIUM PIPE ADAPTER	2	5.57 LBS
2	DCP10	SMALL CLAMP HALF	2	2.21 LBS
3	MCP10	MEDIUM CLAMP HALF	3	3.36 LBS
4	MT-381-8	5/8" X 8" GALV THREADED ROD	4	0.64 LBS
5	MT-381-10	5/8" X 10" THREADED ROD	2	0.79 LBS
6	MT-382-14	5/8" X 14" THREADED ROD	2	0.64 LBS
7	OS234	3/4" X 2-1/4" OFFSET SLEEVE	2	0.22 LBS
8	OS334	3/4" X 3-1/4" OFFSET SLEEVE	2	0.31 LBS
9	GN05A	5/8" GALV HEX NUT (A325)	20	0.08 LBS
10	GWL-05	5/8" GALV LOCK WASHER	20	0.09 LBS
11	GWF05A	5/8" GALV FLAT WASHER (A325)	20	0.03 LBS

REVISIONS				
REV.	ZONE	DESCRIPTION	BY	DATE
A		INITIAL RELEASE	JTS	04/06/01



**NOTE:**  
 1. INCLUDED SLEEVES (ITEMS 7 & 8) & NUT (ITEM 9) TO BE INSERTED IF REQUIRED FOR TOWER TAPER.  
 2. OFFSET SLEEVES MAY BE CUT FOR DIFFERENT TAPER.

<small>These drawings and specifications are the proprietary property of ANDREW CORPORATION and may be used only for the specific purpose authorized in writing by Andrew Corporation.</small> <small>ALL DIMENSIONS ARE IN INCHES U.O.S.</small> <small>TOLERANCES UNLESS OTHERWISE SPECIFIED:</small> .X = ± .06      ANGLES      ±2° .XX = ± .03      FRACTIONS      ±1/32 .XXX = ± .010 <small>REMOVE BURRS AND BREAK EDGES .005</small> <b>DO NOT SCALE THIS PRINT</b>	<small>DRAWN BY:</small> ACG	<small>SHEET:</small> 1 of 1	<small>PART NUMBER:</small> JS-SI00-SSH
	<small>CHECKED BY:</small> TP	<small>SCALE:</small> NTS	<small>DESCRIPTION:</small> TAPERED PIPE ADAPTER CLAMP SET
	<small>DATE:</small> 02/17/06	<small>MATERIAL:</small> A36	<small>DRAWING TYPE:</small> ASSEMBLY DRAWING
	<small>REVISION:</small> A	<small>FINISH:</small> GALV A123  <small>WEIGHT:</small> 30.05 LBS	 ORLAND PARK, IL. 60462 U.S.A.