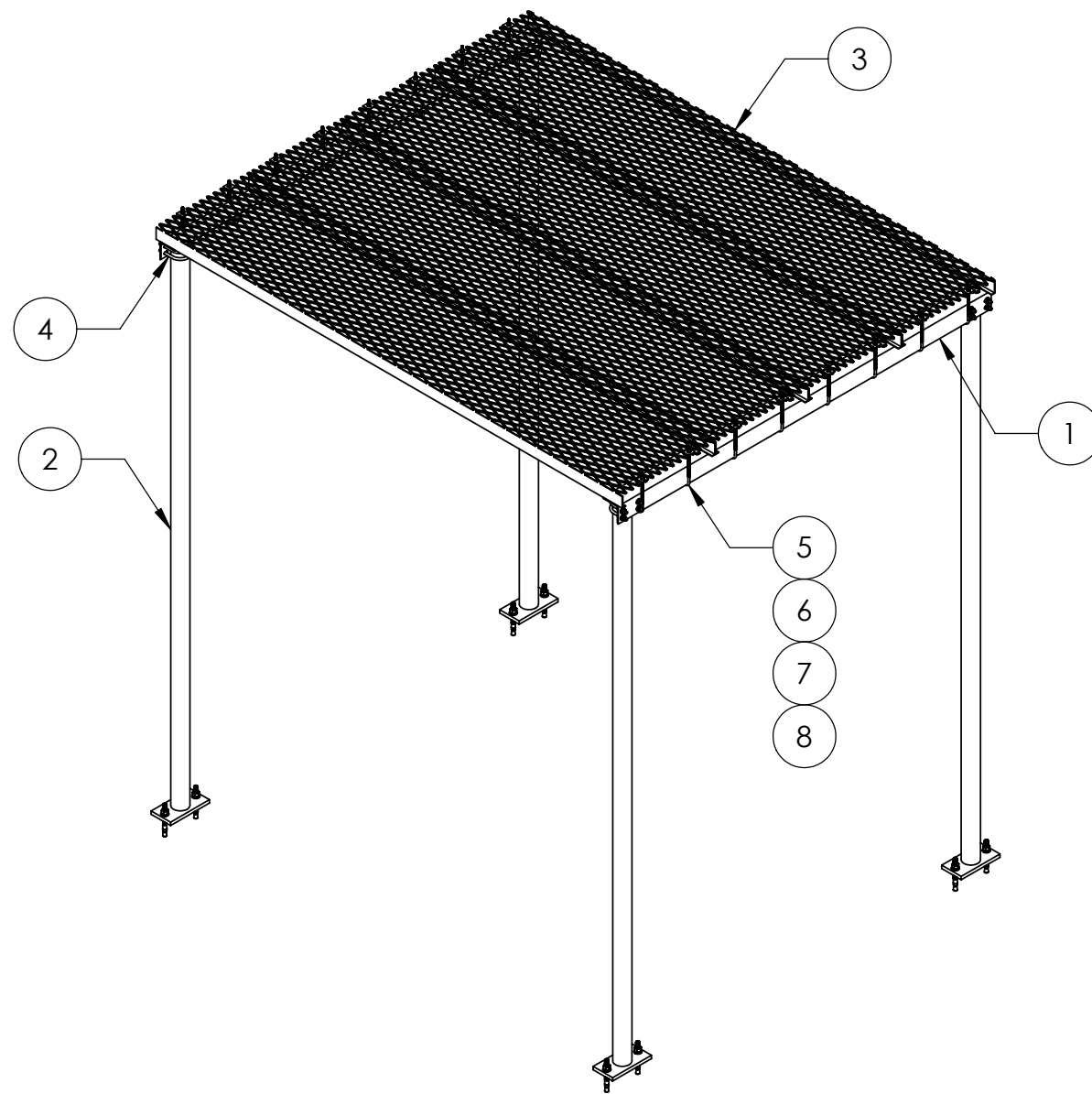
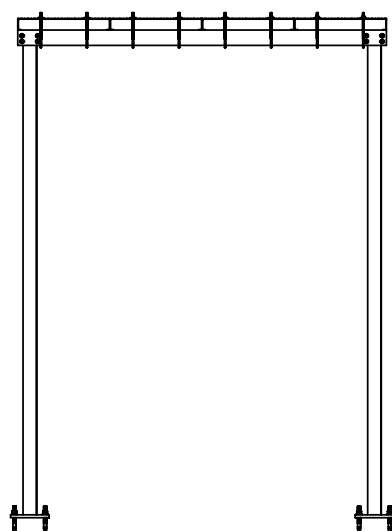
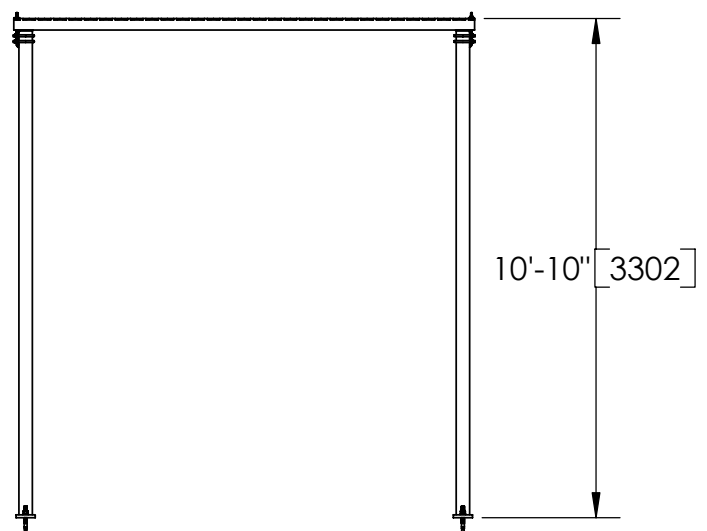
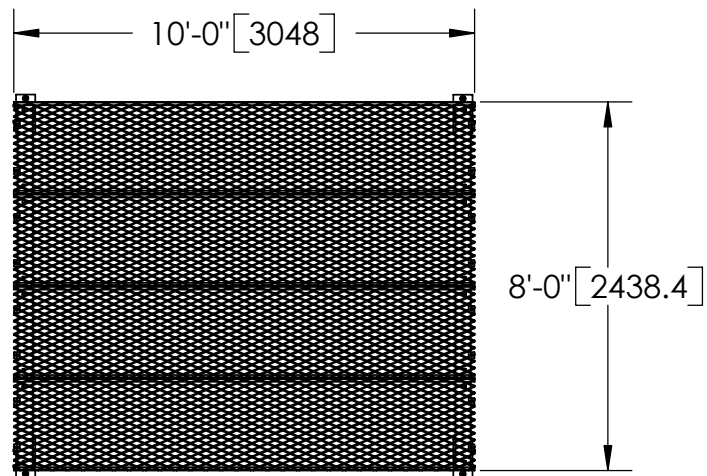


ITEM	PART NO.	DESCRIPTION	QTY.	WEIGHT
1	MTC9660.01	8' ICE SHIELD SUPPORT BRACKET	2	51.95 LBS
2	MF-126	BASE SHOE PIPE COLUMN 10'-6"	4	91.25 LBS
3	WB-CY210	SAFETY GRATING 24" X 10'	4	111.00 LBS
4	GUB-4355	1/2" X 3-5/8" X 5" GALV U-BOLT	8	0.57 LBS
5	GJB0380	8" GALV J-BOLT KIT	16	0.31 LBS
6	MT-387	SQUARE WASHER, 1-1/2" X 1-5/8" W/ 7/16" HOLE	16	0.12 LBS
7	GWL-03	3/8" GALV LOCK WASHER	16	0.00 LBS
8	GN-03	3/8" GALV HEX NUT	16	0.01 LBS

REVISIONS				
REV.	ZONE	DESCRIPTION	BY	DATE
A		INITIAL RELEASE	ACG	03/29/07



NOTES:  
1. ALL METRIC DIMENSIONS ARE IN BRACKETS.

These drawings and specifications are the proprietary property of ANDREW CORPORATION and may be used only for the specific purpose authorized in writing by Andrew Corporation.  ALL DIMENSIONS ARE IN INCHES U.O.S. TOLERANCES UNLESS OTHERWISE SPECIFIED: .X = ± .06      ANGLES      ±2° .XX = ± .03      FRACTIONS      ±1/32 .XXX = ± .010  REMOVE BURRS AND BREAK EDGES .005  DO NOT SCALE THIS PRINT	DRAWN BY: ACG	SHEET: 1 of 1	PART NUMBER: IC-0810-S
	CHECKED BY: TP	SCALE: NTS	DESCRIPTION: 8' X 10' ICE CANOPY w/ BASE SHOE LEGS
	DATE: 03/29/07	MATERIAL: A36, A53, A568	DRAWING TYPE: ASSEMBLY DRAWING
	REVISION: A	FINISH: GALV A123	WEIGHT: 927.12 LBS