

SSH-1416

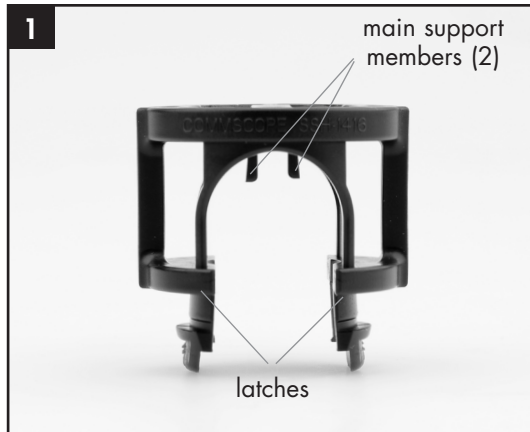
CommScope® SnapTak Adjustable Cable Hanger

Bulletin 7823346 Rev. A | Page 1 of 1

CommScope Infrastructure Academy offers installation training.

NOTE: This hanger is intended for toptop and rooftop cable installations. It is not to be used for vertical cable runs in excess of 10 ft unless specified in CommScope's Cable Hanger Selection Guide.

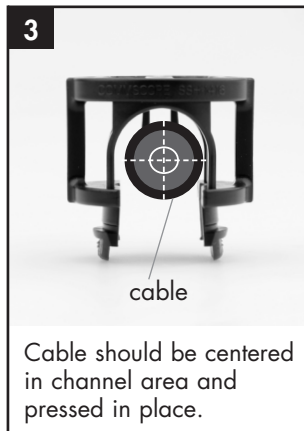
Visit www.commscope.com or call 1-800-255-1479 for more information.



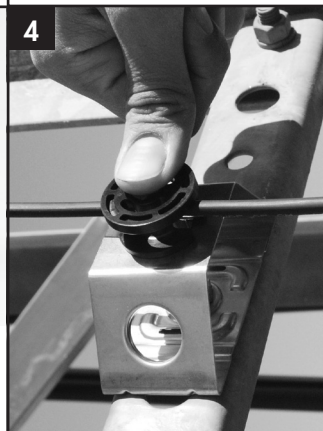
The SnapTak hanger has two main support members to engage the cable and six guide pins to help center the cable.



Press hanger onto cable until cable centers in channel.



Cable should be centered in channel area and pressed in place.



Push SnapTak hanger in tower member or mounting adapter with $\frac{3}{4}$ " hole. Snap the latches in place.



Polymer SnapTak hangers may be snapped into any other CommScope metal or polymer SnapTak hanger size.

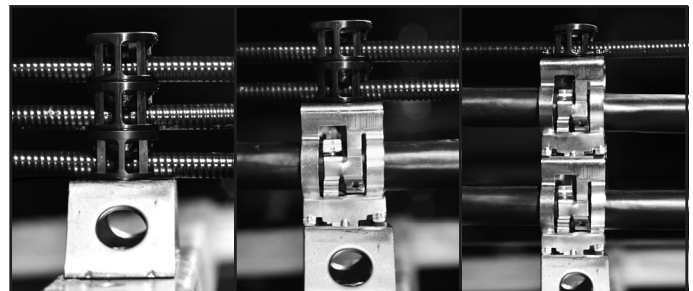


WARNING

This product is to be used for horizontal cable management and cable organization between devices such as RRUs and antennas on the top of towers and rooftops only. It is not to be used for vertical cable runs up the tower unless specified by CommScope.

Part Information for Available Hangers

Part Number	Stackability	Cable Diameter Range (mm)
SSH-47	3	4.00 min to 7.00 max
SSH-710	3	7.10 min to 10.00 max
SSH-1014	3	10.10 min to 14.00 max
SSH-1416	3	14.10 min to 16.00 max



Acceptable stack combinations

CommScope

1100 CommScope Place SE P.O. Box 339, Hickory, NC 28603-0339
 (828) 324-2200 (800) 982-1708
www.commscope.com

Customer Service 24 hours

North America: +1-800-255-1479 (toll free)
 Any country: +1-779-435-6500
 email: acicustomersupportcenter@commscope.com

Notice: CommScope disclaims any liability or responsibility for the results of improper or unsafe installation, inspection, maintenance, or removal practices.
 Aviso: CommScope no acepta ninguna obligación ni responsabilidad como resultado de prácticas incorrectas o peligrosas de instalación, inspección, mantenimiento o retiro.
 Avis: CommScope décline toute responsabilité pour les conséquences de procédures d'installation, d'inspection, d'entretien ou de retrait incorrectes ou dangereuses.
 Hinweis: CommScope lehnt jede Haftung oder Verantwortung für Schäden ab, die aufgrund unsachgemäßer Installation, Überprüfung, Wartung oder Demontage auftreten.
 Atenção: A CommScope abdica do direito de toda responsabilidade pelos resultados de práticas inadequadas e sem segurança de instalação, inspeção, manutenção ou remoção.
 Avvertenza: CommScope declina eventuali responsabilità derivanti dall'esecuzione di procedure di installazione, ispezione, manutenzione e smontaggio improprie o poco sicure.
 注意: CommScope 公司申明對於不恰當或不安全的安裝、檢驗、維修或拆卸操作所導致的後果不負責任 何義務和責任

