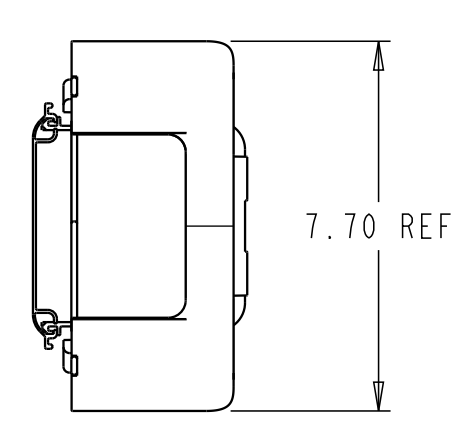
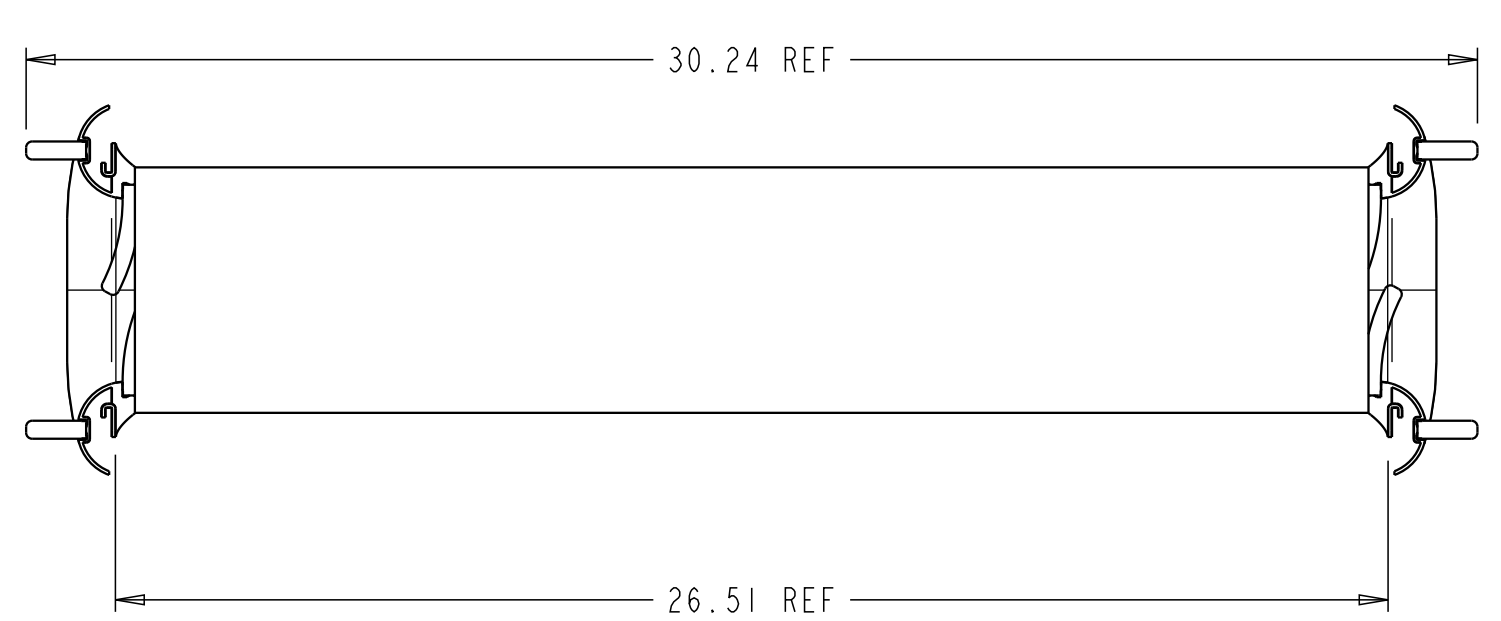
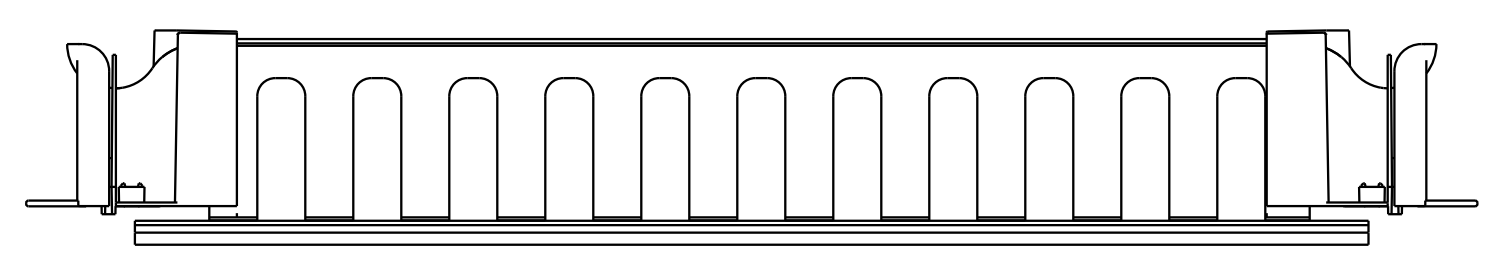
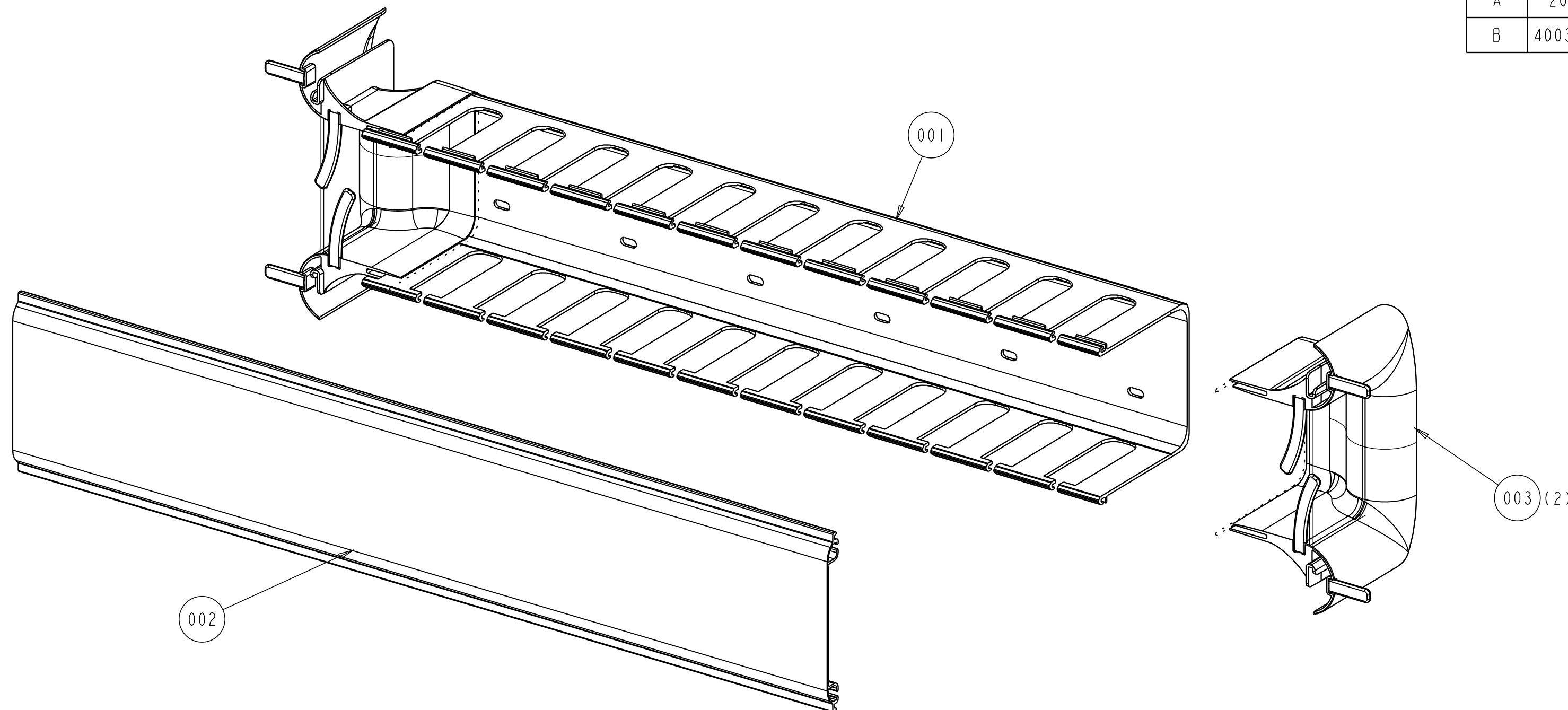


REV.	MCO	DWN	DATE
A	20309369	EEG	21-JUN-11
B	40032067MCO	OAVL	08-JUL-16



LIST OF PARTS IN KIT		
ITEM	DESCRIPTION	QTY
001	FGS, TROUGH, 4X4 SLOTTED	1
002	FGS, COVER, 4"	1
003	EXIT TRUMPET 4" TO 4"	2

CATALOG NUMBER: FGS-KIT-H44

COMMSCOPE, INC.

<small>© 2016 COMMSCOPE, INC. CONFIDENTIAL NOTICE: THESE DRAWINGS AND SPECIFICATIONS ARE THE PROPRIETARY PROPERTY OF COMMSCOPE, INC. AND MAY BE USED ONLY FOR THE SPECIFIC PURPOSE AUTHORIZED IN WRITING BY COMMSCOPE, INC.</small>		TITLE INSTALLATION DRAWING 4X4 KIT	
<small>ALL DIMS AND TOLERANCES ARE INCHES UNLESS OTHERWISE SPECIFIED</small>		C SIZE	DRAWING NUMBER 300001730171
DO NOT SCALE DRAWING		ENGR: ERIK ESTRADA DWN: ERIK ESTRADA	B REV SHT. 1 OF 1

**DIMENSIONS IN INCHES
THIRD ANGLE PROJECTION**