

4

3

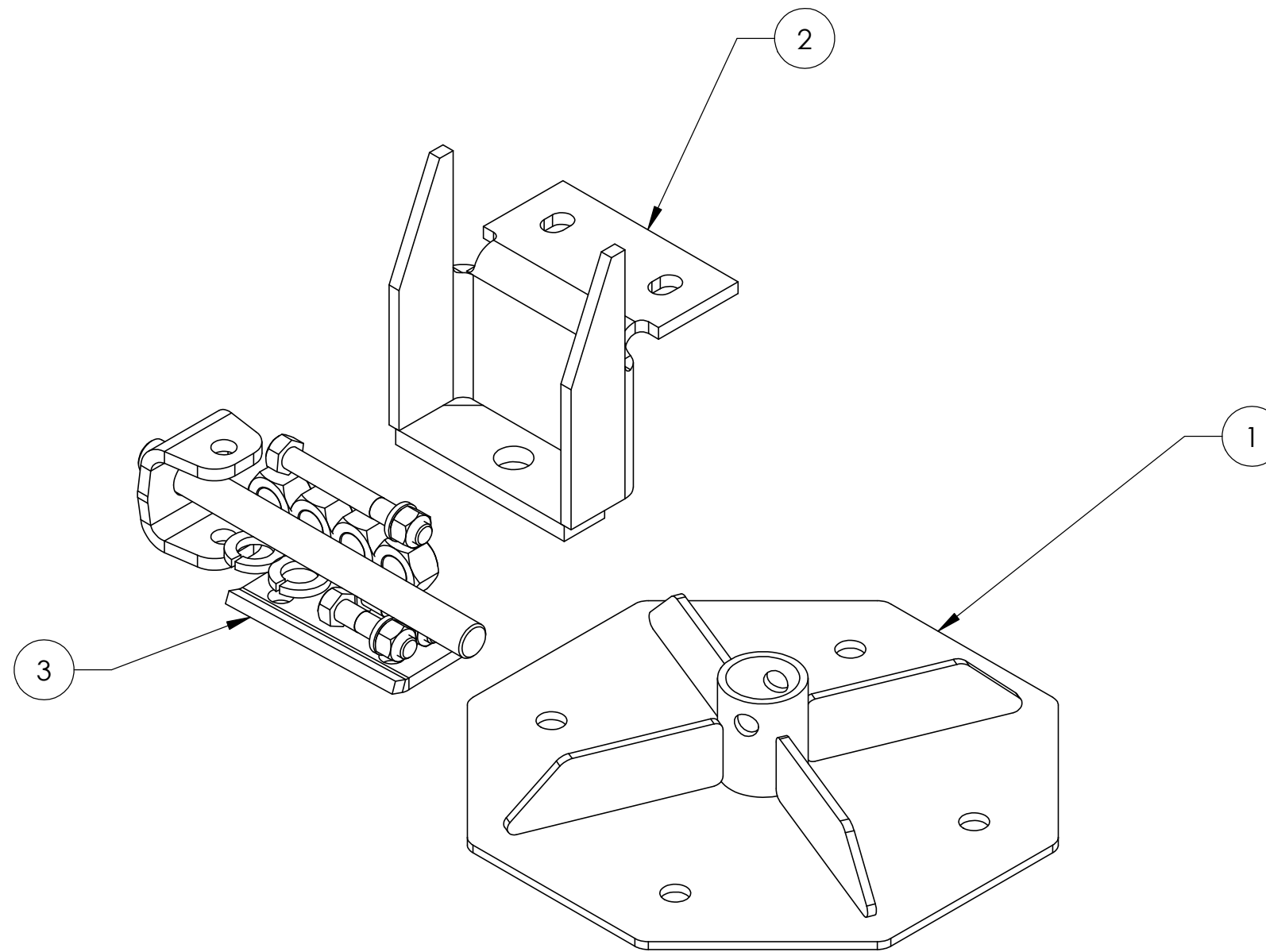
2

1

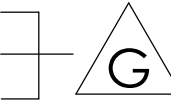
NOTES:

1.0 ALL METRIC DIMENSIONS ARE IN BRACKETS.

REVISIONS				
REV.	ECN	DESCRIPTION	BY	DATE
A		INITIAL RELEASE	ACG	06/19/03
B		UPDATE FOOTPAD ITEM 1	ACG	01/30/04
C		UPDATE BOM	ACG	02/09/04
D		UPDATE FOOTPAD & BOM	AW	02/13/06
E		UPDATE FOOTPAD	OGG	7/19/2010
F	8000016300	FOOTPAD REPLACED WITH NEW PART. ADDED HOLES	DRR	09/21/16
G	8000025131	UPDATED EQ-P-DF DESIGN	DRR	07/24/17



ITEM	PART NO.	DESCRIPTION	QTY.	WEIGHT	NOTE NO.
1	MTC3738DF01	BASE FOOT	1	17.92 LBS	
2	EQPDF25	WELDMENT, ADJUSTABLE FOOT - DF STYLE	1	10.96 LBS	
3	EQPDFHK2	HARDWARE KIT FOR EQ-P-DF	1	8.85 LBS	



DENSITY	0.28	lbs/in ³
MASS	37.73	lbs
VOLUME	133.90	in ³
SURFACE AREA		in ²
HEIGHT		
LENGTH		
WIDTH		

COMMScope, INC. OF NORTH CAROLINA

TOLERANCES		SAP MATERIAL MASTER	
0 PLACE X ± .25	2 PLACE .XX ± .06	EQ-P-DF	
1 PLACE .X ± .12	ANGLES ± 2°		
FINISH		MATERIAL	
GALV A123		A36	
UNLESS OTHERWISE SPECIFIED DIMENSIONS ARE IN MILLIMETERS INTERPRET PER ISO STANDARDS HANDBOOK TECHNICAL DRAWINGS VOLUMES 1 & 2, THIRD EDITION (2002)		NAME	DATE
		CE AW	02/13/06
		RW	
		RV	
TITLE		EQUIPMENT PLATFORM DISPLACEMENT FOOT	
AD			
RE TP	02/13/06	SCALE	DOCUMENT NO.
ECN 800000		1:4	EQ-P-DF
SIZE	WORK AREA	MODEL	
C		VERSION	STATUS
		REVISION	REVISION
		DRAWING	
		VERSION	STATUS
		REVISION	REVISION
		G	
			SHEET
			1 OF 2

4

3

2

1

4

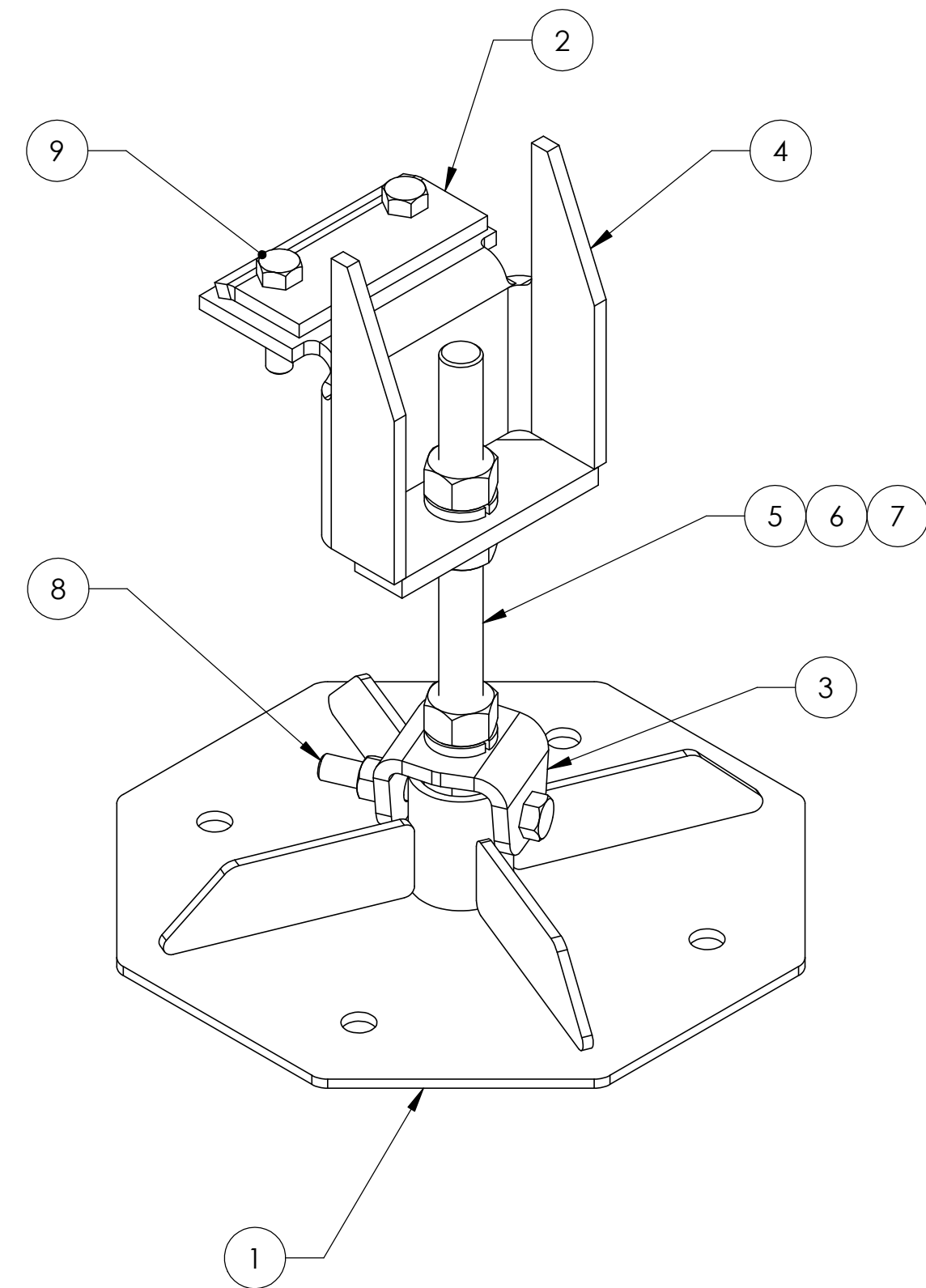
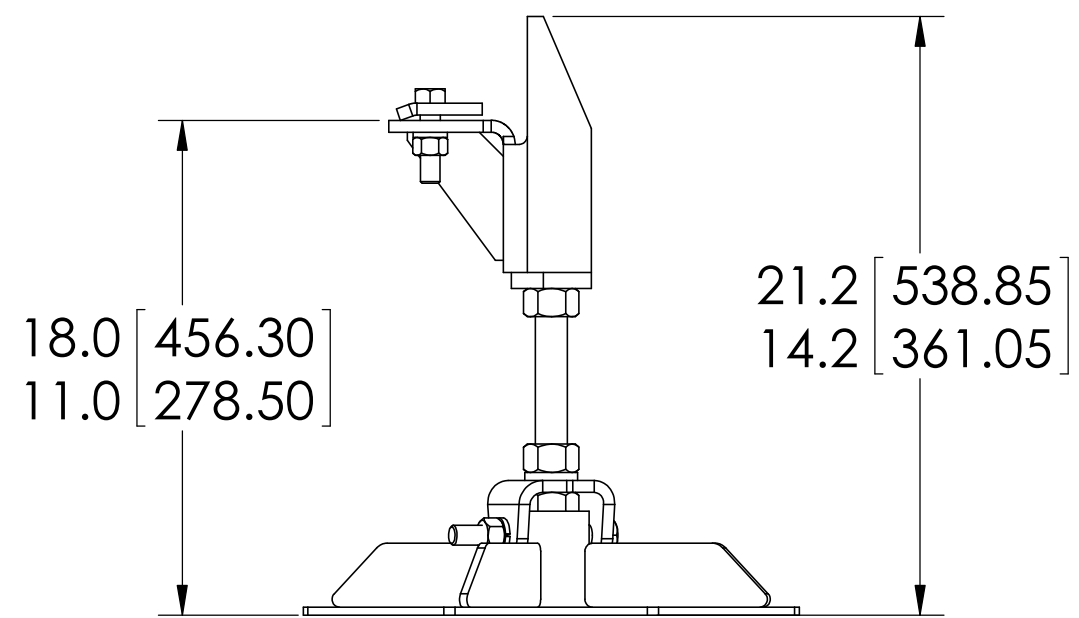
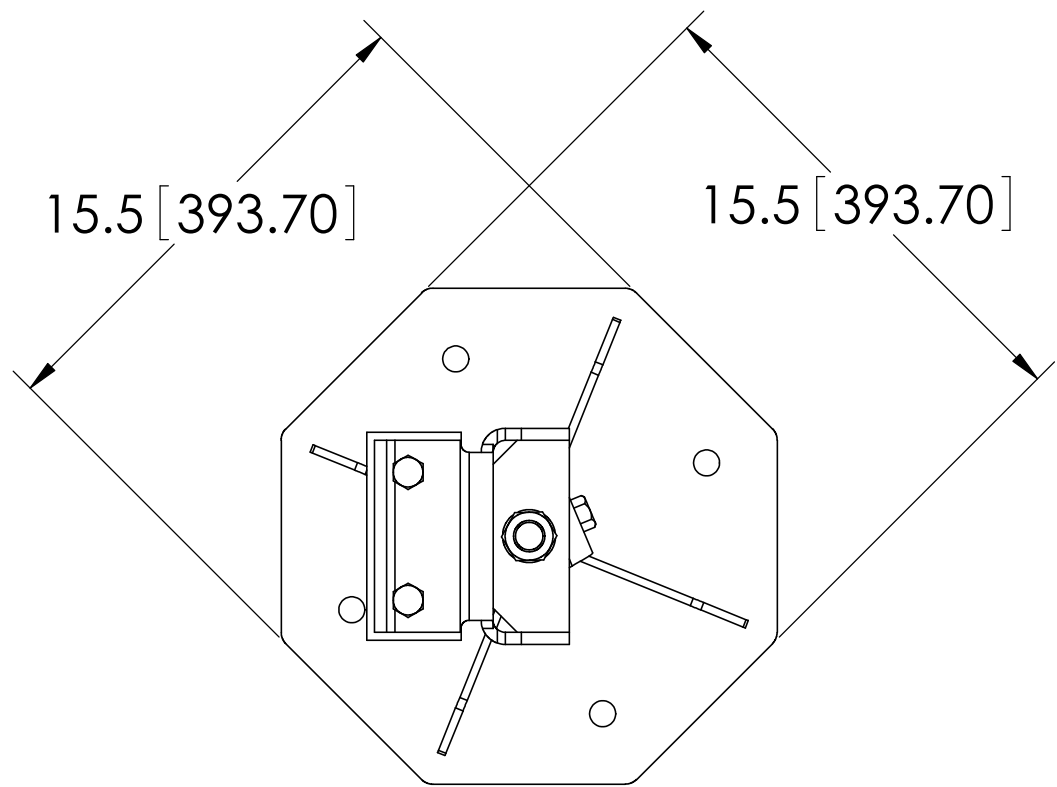
3

2

1

NOTES:

1.0 ALL METRIC DIMENSIONS ARE IN BRACKETS.



ITEM	PART NO.	DESCRIPTION	QTY.	WEIGHT	NOTE NO.
1	MTC3738DF01	BASE FOOT	1	17.92 LBS	
2	MTC7902AL07	PINCH PLATE	1	1.60 LBS	
3	EQPDF30	CLIP, PIVOT	1	1.63 LBS	
4	EQPDF25	WELDMENT, ADJUSTABLE FOOT - DF STYLE	1	10.96 LBS	
5	EQPDF29	1-8 x 12" Threaded Rod - B7	1	2.65 LBS	
6	GN-08	1" GALV HEX NUT	4	0.33 LBS	
7	GWL-08	1" GALV LOCK WASHER	2	0.09 LBS	
8	GB-05505	5/8" X 5" GALV BOLT KIT	1	0.52 LBS	
9	GB-05245	5/8" X 2-1/2" GALV BOLT KIT	2	0.30 LBS	

COMMSCOPE, INC. OF NORTH CAROLINA

TOLERANCES		SAP MATERIAL MASTER	
0 PLACE X ± .25	2 PLACE .XX ± .06	EQ-P-DF	
1 PLACE .X ± .12	ANGLES ± 2°		
FINISH		MATERIAL	
GALV A123		A36	
UNLESS OTHERWISE SPECIFIED DIMENSIONS ARE IN MILLIMETERS INTERPRET PER ISO STANDARDS HANDBOOK TECHNICAL DRAWINGS VOLUMES 1 & 2, THIRD EDITION (2002)	NAME	DATE	TITLE
	CE AW	02/13/06	EQUIPMENT PLATFORM DISPLACEMENT FOOT
	RW		
	RV		
	AD		
RE TP	02/13/06	SCALE	DOCUMENT NO.
ECN 800000		1:6	EQ-P-DF
SIZE	WORK AREA	MODEL	
C		VERSION	STATUS
		REVISION	VERSION
		REVISION	STATUS
		REVISION	REVISION
			G
		SHEET	
		2 OF 2	

DENSITY		lbs/in ³
MASS	37.73	lbs
VOLUME		in ³
SURFACE AREA		in ²
HEIGHT		
LENGTH		
WIDTH		

4

3

2

1