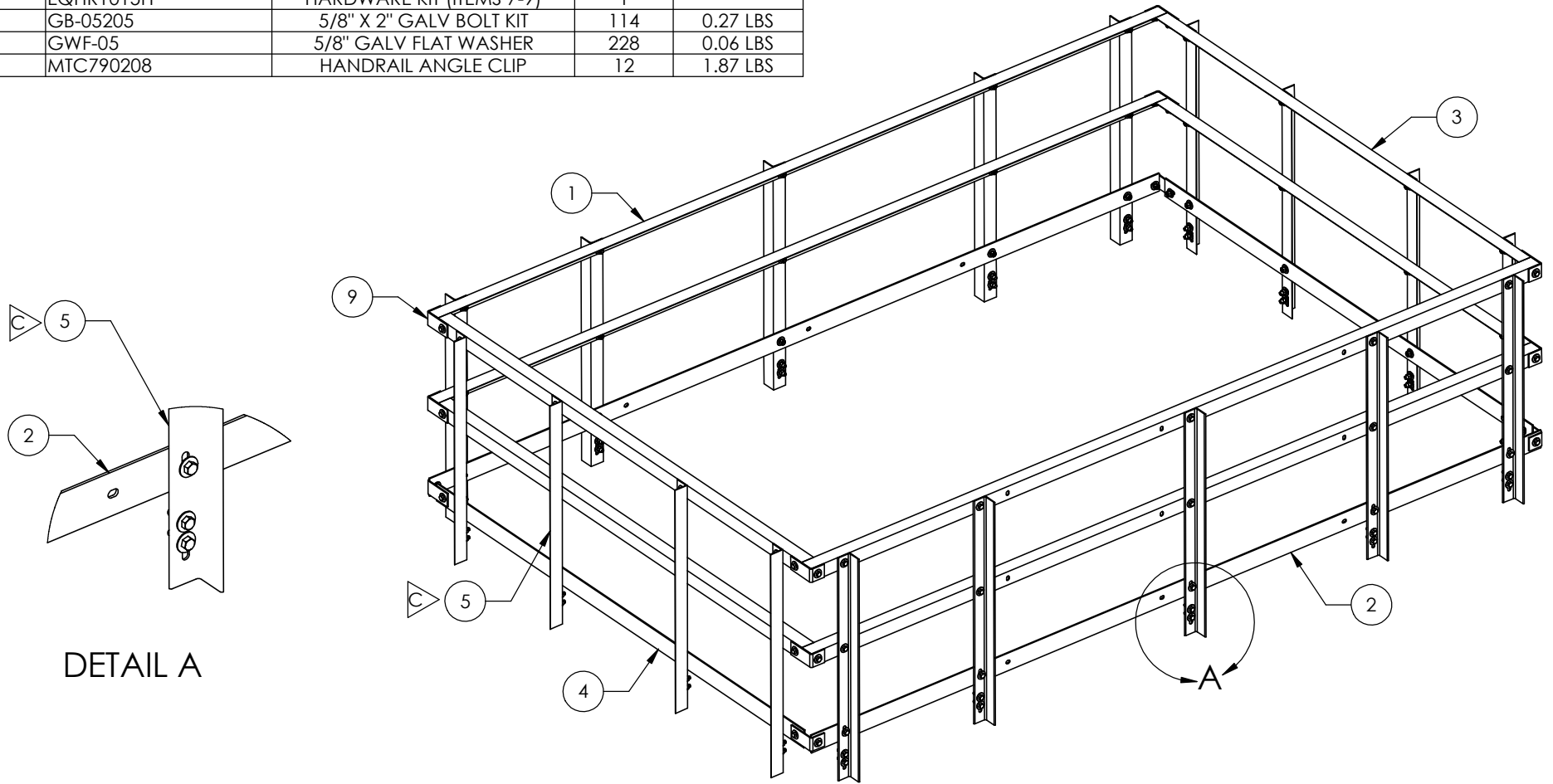



ITEM	PART NO.	DESCRIPTION	QTY.	WEIGHT
1	MTC79021015.02	SIDE HANDRAIL	4	55.27 LBS
2	MTC79021015.03	15' SIDE TOEBOARD	2	50.31 LBS
3	MTC79021010.05	10' CENTER HANDRAIL	4	35.01 LBS
4	MTC79021010.04	10' CENTER TOEBOARD	2	32.23 LBS
5	EQHR01	HANDRAIL POST	18	15.52 LBS
6	EQHR1015H	HARDWARE KIT (ITEMS 7-9)	1	
7	GB-05205	5/8" X 2" GALV BOLT KIT	114	0.27 LBS
8	GW-05	5/8" GALV FLAT WASHER	228	0.06 LBS
9	MTC790208	HANDRAIL ANGLE CLIP	12	1.87 LBS

REVISIONS				
REV.	ECN	DESCRIPTION	BY	DATE
A		INITIAL RELEASE	ACG	11/14/06
B		UPDATE HARDWARE KIT	MSM	02/23/11
C	8000008700	REPLACED MTC790204 WITH EQHR01	RJC	6/15/2015



DETAIL A

<small>These drawings and specifications are the proprietary property of ANDREW CORPORATION and may be used only for the specific purpose authorized in writing by Andrew Corporation.</small>		DRAWN BY: ACG CHECKED BY: TP DATE: 11/14/06 REVISION: C	SHEET: 1 of 1 SCALE: NTS MATERIAL: A36 FINISH: GALV A123 WEIGHT: 883.37 LBS	PART NUMBER: EQ-HR1015 DESCRIPTION: 10' X 15' PLATFORM HANDRAIL DRAWING TYPE: ASSEMBLY DRAWING  ORLAND PARK, IL. 60462 U.S.A.
<small>ALL DIMENSIONS ARE IN INCHES U.O.S. TOLERANCES UNLESS OTHERWISE SPECIFIED: .X = .06 ANGLES 2' .XX = .03 FRACTIONS 1/32 .XXX = .010 REMOVE BURRS AND BREAK EDGES .005 DO NOT SCALE THIS PRINT</small>				