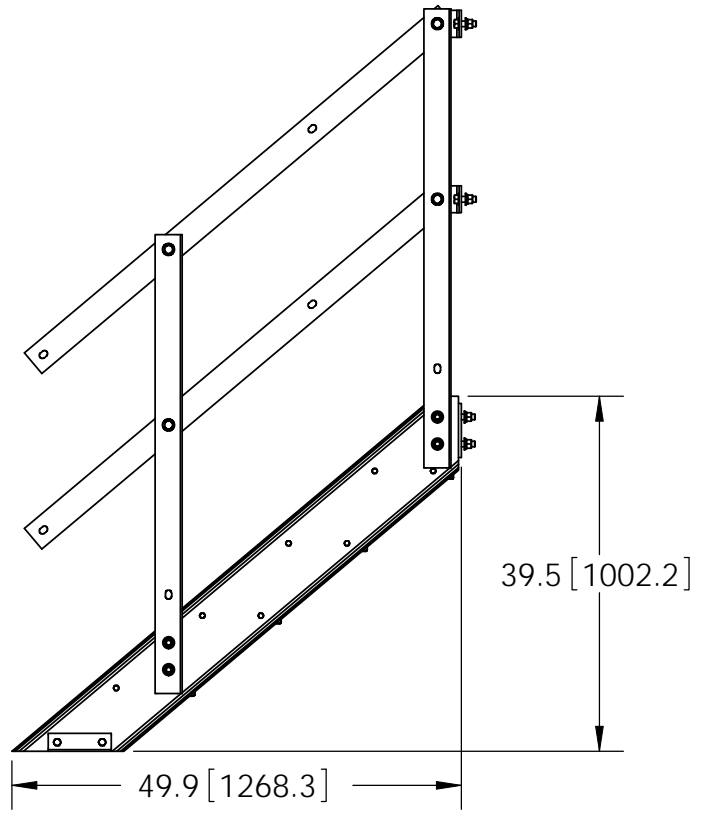
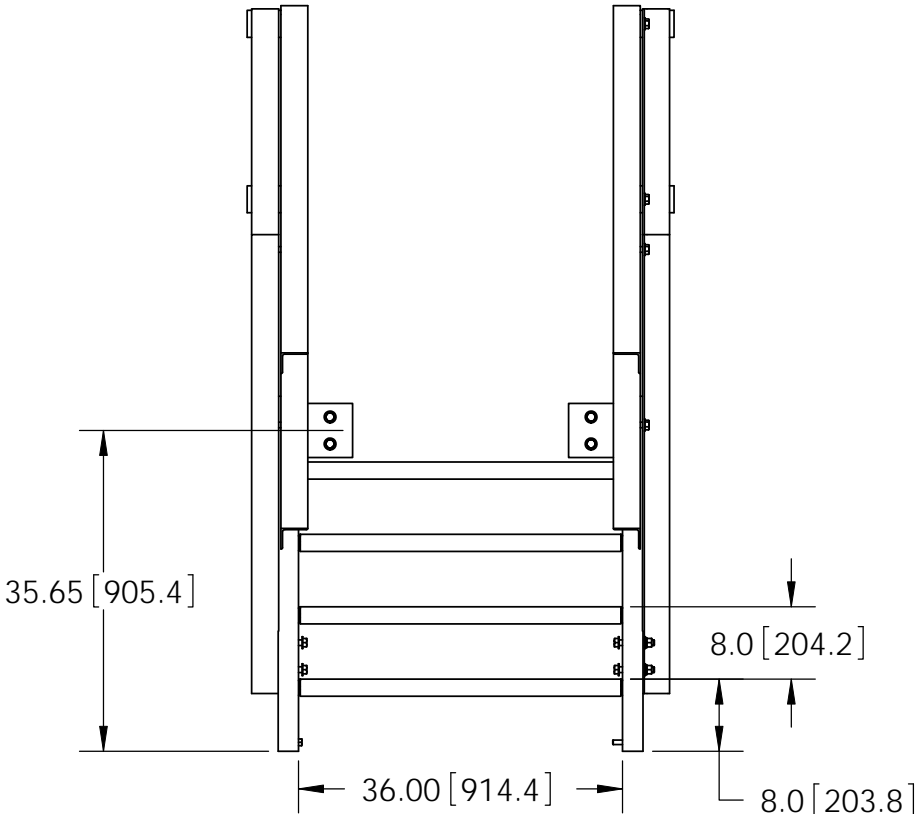
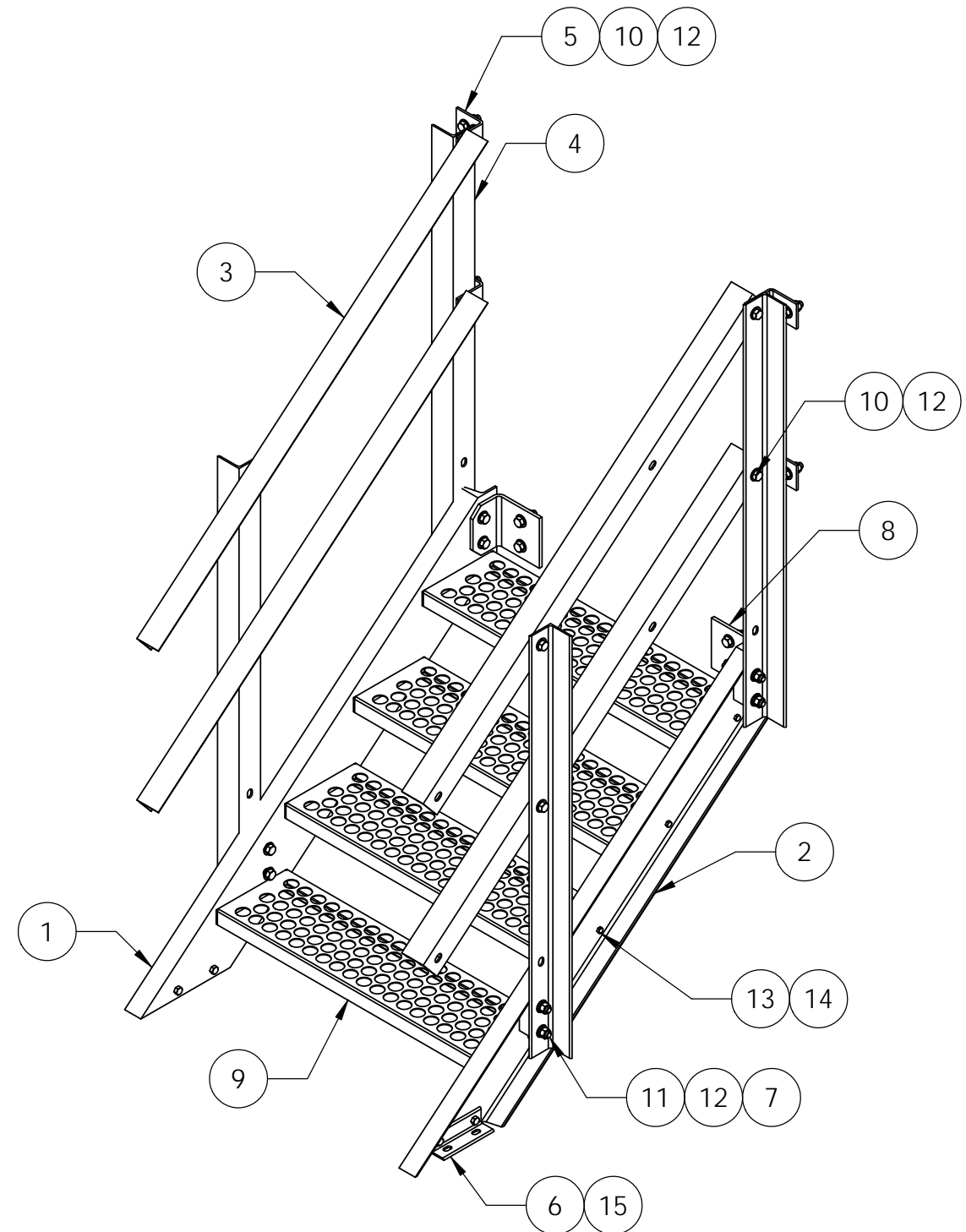
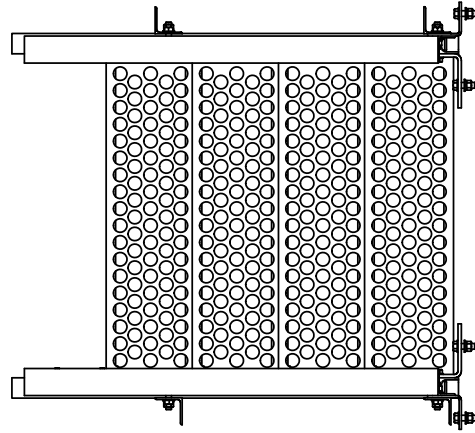



ITEM	PART NO.	DESCRIPTION	QTY.	WEIGHT
1	MTC9055.01	RIGHT STAIR LEG	1	52.85 LBS
2	MTC9055.02	LEFT STAIR LEG	1	52.85 LBS
3	MTC9055.03	STEP HANDRAIL	4	18.27 LBS
4	MTC7902.04	HANDRAIL POST	4	15.59 LBS
5	MTC9055.05	HANDRAIL CLIP	4	1.42 LBS
6	MTC9016.05	STAIR ANCHOR CLIP	2	1.32 LBS
7	MTC9016.07	RAILING SPACER	4	1.40 LBS
8	MTC9016.08	STEP CHANNEL MOUNTING ANGLE	2	5.57 LBS
9	MTC9722.09	10" X 36" STAIR GRIP STEP	4	20.59 LBS
10	GB-05205	5/8" X 2" GALV BOLT KIT	16	0.11 LBS
11	GB-05405	5/8" X 4" GALV BOLT KIT	8	0.11 LBS
12	GWF-05	5/8" GALV FLAT WASHER	48	0.09 LBS
13	GB-03145	3/8" X 1-1/2" GALV BOLT KIT	16	0.07 LBS
14	GWF-03	3/8" GALV FLAT WASHER	8	0.01 LBS
15	GB-04145	1/2" X 1-1/2" GALV BOLT KIT	4	0.11 LBS

REVISIONS				
REV.	ZONE	DESCRIPTION	BY	DATE
A		INITIAL RELEASE	MSM	11/23/10



NOTES:
 1. ALL METRIC DIMENSIONS ARE IN BRACKETS.
 2. UP TO 5% ADDITIONAL HARDWARE INCLUDED.

These drawings and specifications are the proprietary property of ANDREW CORPORATION and may be used only for the specific purpose authorized in writing by Andrew Corporation. ALL DIMENSIONS ARE IN INCHES U.O.S. TOLERANCES UNLESS OTHERWISE SPECIFIED: .X = ± .12 ANGLES ±2° .XX = ± .06 FRACTIONS ±1/32 .XXX = ± .03 REMOVE BURRS AND BREAK EDGES .005 DO NOT SCALE THIS PRINT	DRAWN BY: MSM	SHEET: 1 of 1	PART NUMBER: EQ-STEP-4	
	CHECKED BY: TP	SCALE: NTS	DESCRIPTION: STAIRS W/ 4 STEPS	
	DATE: 11/23/10	MATERIAL: A36, A500, A568	DRAWING TYPE: ASSEMBLY DRAWING	
	REVISION: A	FINISH: GALV A123	 ORLAND PARK, IL. 60462 U.S.A.	
	WEIGHT: 361.93 LBS			