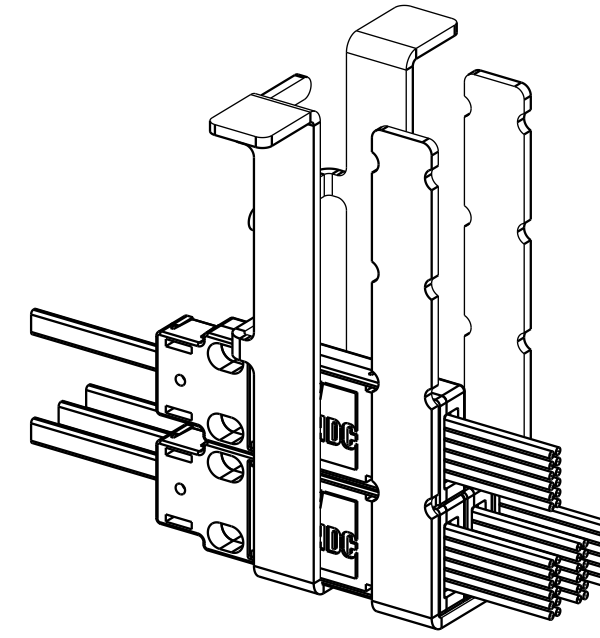
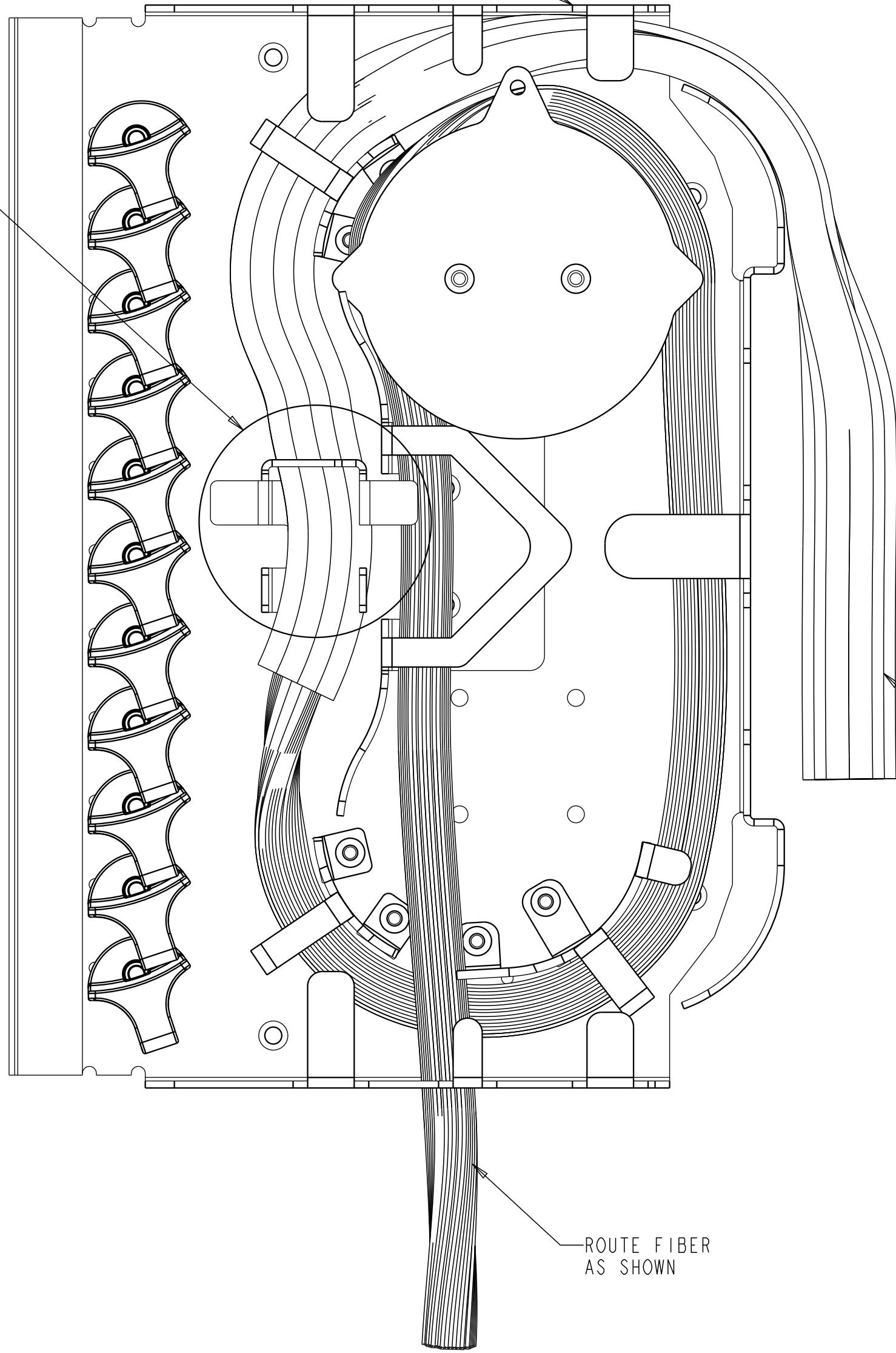


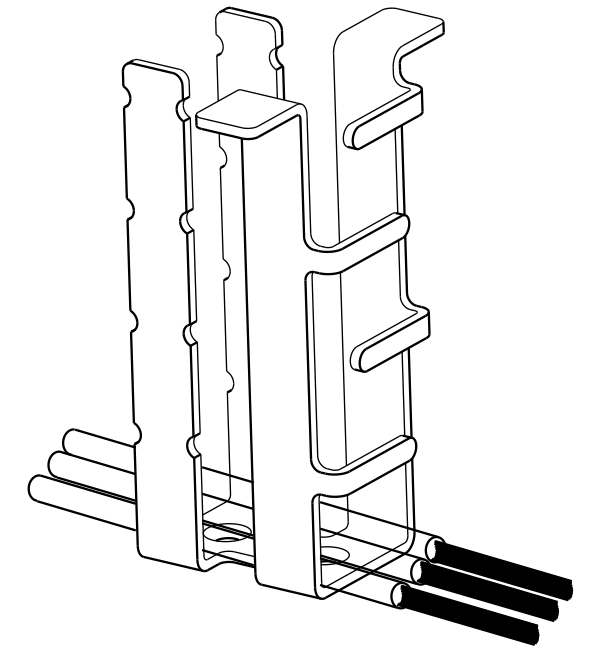
REV	ECN	DWN	DATE
A	20322315	JAJR	13-MAR-12
B	8000019919	ERR	10-FEB-17

SEE DETAIL A

TIE SUBUNITS WITH LACING (REF)



FOR RIBBON FIBER



FOR STRANDED FIBER

DETAIL A

CLAMP LOCATION SHOWN ON ASSEMBLY DRAWING (CLAMP CABLE BEFORE ROUTING)

ROUTE FIBER AS SHOWN

CABLE ROUTING
STEP 1

COMMSCOPE, INC.

© 2016 COMMSCOPE, INC. CONFIDENTIAL
NOTICE: THESE DRAWINGS AND SPECIFICATIONS ARE THE PROPRIETARY PROPERTY OF COMMSCOPE, INC. AND MAY BE USED ONLY FOR THE SPECIFIC PURPOSE AUTHORIZED IN WRITING BY COMMSCOPE, INC.

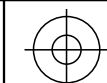
ALL DIMS AND TOLERANCES ARE INCHES UNLESS OTHERWISE SPECIFIED

DO NOT SCALE DRAWING

TITLE DRAWING REF, CABLE ROUTING, LEFT, CABLE EXIT DOWN

DRAWING NUMBER 300001749814

SHT. 1 OF 4



DIMENSIONS IN INCHES
THIRD ANGLE PROJECTION

A

B

C

D

ROW 12

ROW 11

ROW 10

ROW 9

ROW 8

ROW 7

ROW 6

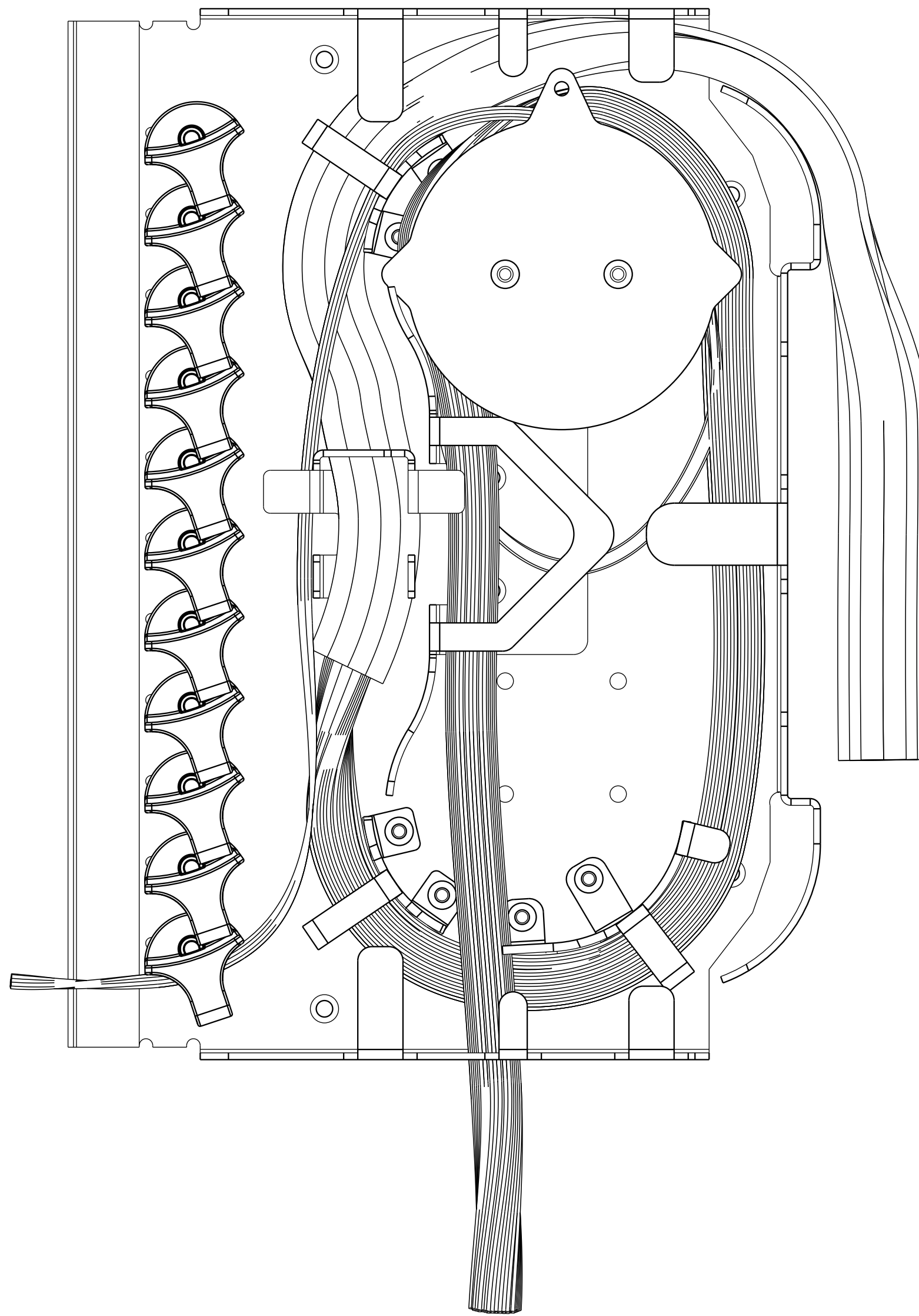
ROW 5

ROW 4

ROW 3

ROW 2

ROW 1



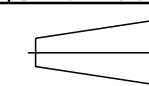
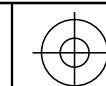
NOTES:

1. START WITH ROW 1 SEE CONNECTION TABLE (F/N 986) FOR CORRECT FIBERS.
 ROUTE FIBERS AS SHOWN TO ROW 1

CABLE ROUTING
STEP 2

COMMSCOPE, INC.

<small>© 2016 COMMSCOPE, INC. CONFIDENTIAL NOTICE: THESE DRAWINGS AND SPECIFICATIONS ARE THE PROPRIETARY PROPERTY OF COMMSCOPE, INC. AND MAY BE USED ONLY FOR THE SPECIFIC PURPOSE AUTHORIZED IN WRITING BY COMMSCOPE, INC.</small>		TITLE DRAWING REF, CABLE ROUTING, LEFT, CABLE EXIT DOWN	
<small>ALL DIMS AND TOLERANCES ARE INCHES UNLESS OTHERWISE SPECIFIED</small>	<small>.XX:±N/A .XXX:±N/A ANGULAR:±N/A</small>	C SIZE	DRAWING NUMBER 300001749814
DO NOT SCALE DRAWING		ENGR: JOSE MENDOZA DWN: JOSE A JARA	B REV SHT. 2 OF 4



**DIMENSIONS IN INCHES
 THIRD ANGLE PROJECTION**

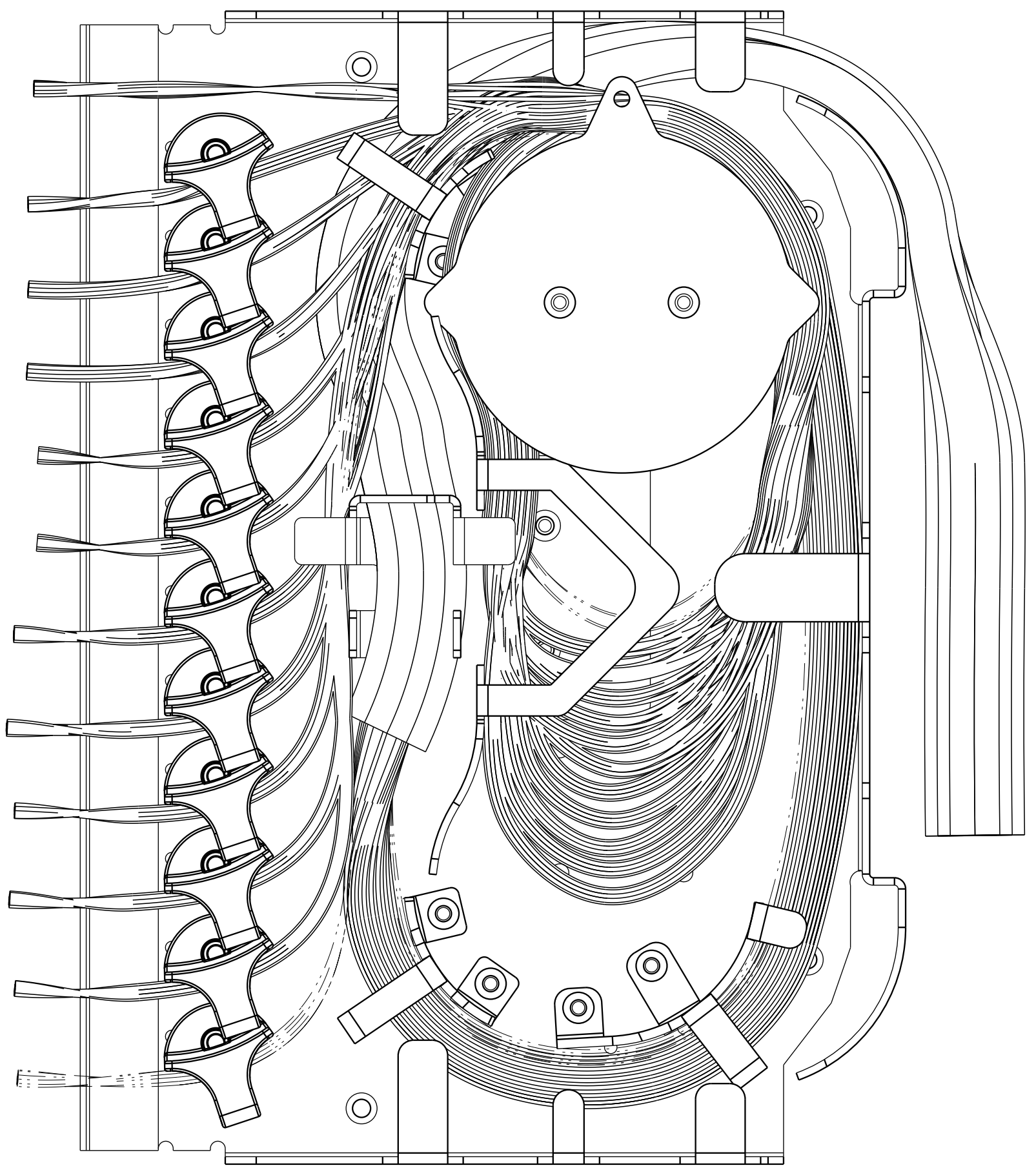
A

B

C

D

ROW 12
 ROW 11
 ROW 10
 ROW 9
 ROW 8
 ROW 7
 ROW 6
 ROW 5
 ROW 4
 ROW 3
 ROW 2
 ROW 1



NOTES:

- 2. ROUTE ROW 2 AS SHOWN. CONTINUE WITH ROWS 3, THROUGH 12. SEE CONNECTION TABLE FOR CORRECT FIBERS.

CABLE ROUTING
STEP 3

COMMSCOPE, INC.

© 2016 COMMSCOPE, INC. CONFIDENTIAL
 NOTICE: THESE DRAWINGS AND SPECIFICATIONS ARE THE PROPRIETARY PROPERTY OF COMMSCOPE, INC. AND MAY BE USED ONLY FOR THE SPECIFIC PURPOSE AUTHORIZED IN WRITING BY COMMSCOPE, INC.

ALL DIMS AND TOLERANCES .XX:±N/A
 ARE INCHES UNLESS .XXX:±N/A
 OTHERWISE SPECIFIED ANGULAR:±N/A

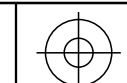
TITLE DRAWING REF,
 CABLE ROUTING, LEFT,
 CABLE EXIT DOWN

DRAWING NUMBER 300001749814

DO NOT SCALE DRAWING

ENGR: JOSE MENDOZA
 DWN: JOSE A JARA

SHT. 3 OF 4



**DIMENSIONS IN INCHES
 THIRD ANGLE PROJECTION**

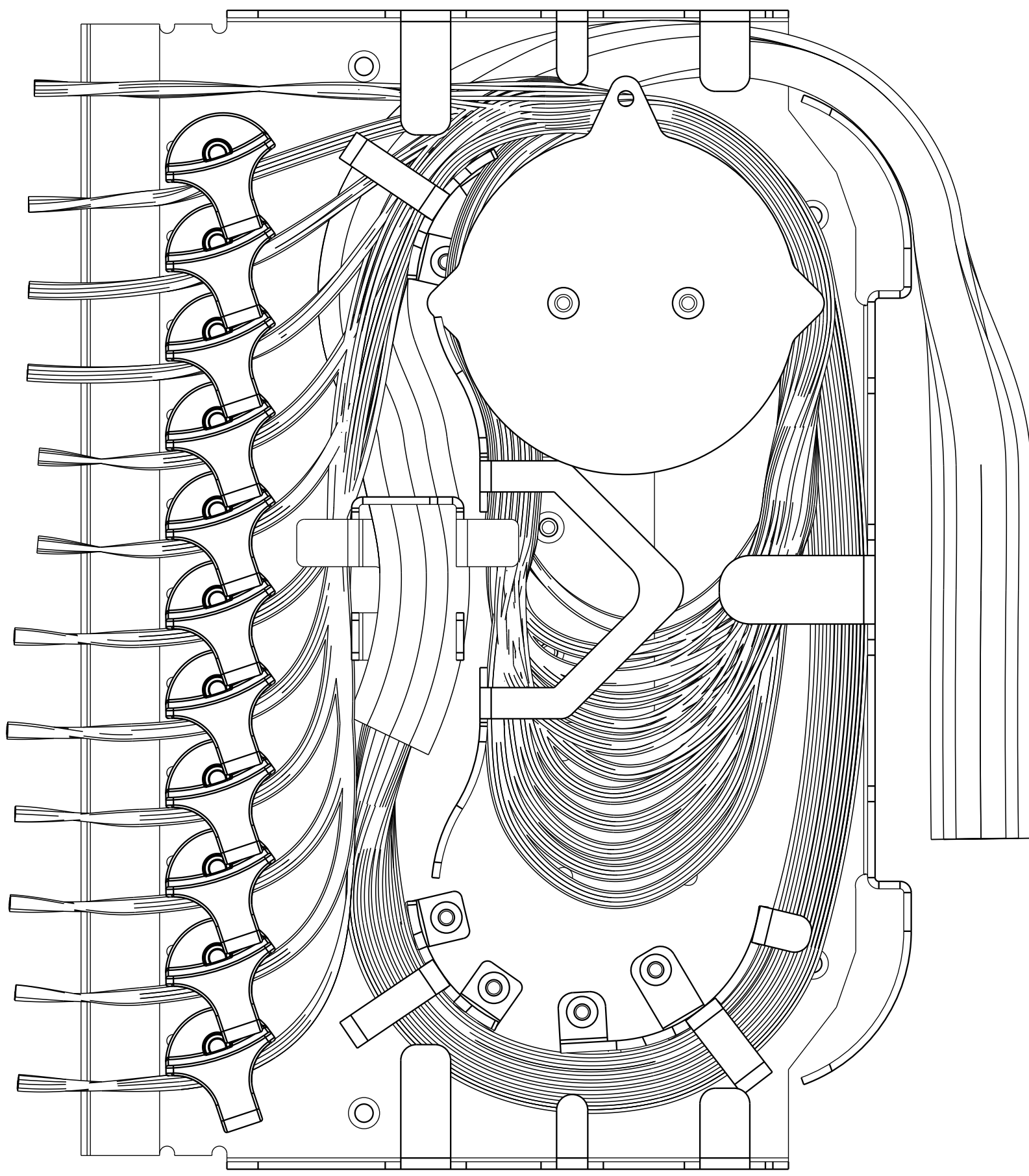
A

B

C

D

ROW 12
 ROW 11
 ROW 10
 ROW 9
 ROW 8
 ROW 7
 ROW 6
 ROW 5
 ROW 4
 ROW 3
 ROW 2
 ROW 1



NOTES:

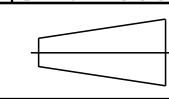
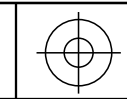
- 3. AFTER INSTALLING CABLE, EXTEND ALL ADAPTER PACKS.
- 4. PUSH ADAPTER PACKS BACK IN, CHECK FIBER FOR BENDS. REDRESS FIBERS IF NECESSARY.

FINISHED CABLE ROUTING

COMMSCOPE, INC.

© 2016 COMMSCOPE, INC. CONFIDENTIAL
 NOTICE: THESE DRAWINGS AND SPECIFICATIONS ARE THE PROPRIETARY PROPERTY OF COMMSCOPE, INC. AND MAY BE USED ONLY FOR THE SPECIFIC PURPOSE AUTHORIZED IN WRITING BY COMMSCOPE, INC.
 ALL DIMS AND TOLERANCES .XX:±N/A ARE INCHES UNLESS .XXX:±N/A OTHERWISE SPECIFIED ANGULAR:±N/A

TITLE DRAWING REF, CABLE ROUTING, LEFT, CABLE EXIT DOWN		DRAWING NUMBER 300001749814	B REV
DO NOT SCALE DRAWING	ENGR: JOSE MENDOZA DWN: JOSE A JARA	SHT. 4 OF 4	



**DIMENSIONS IN INCHES
 THIRD ANGLE PROJECTION**

A

B

C