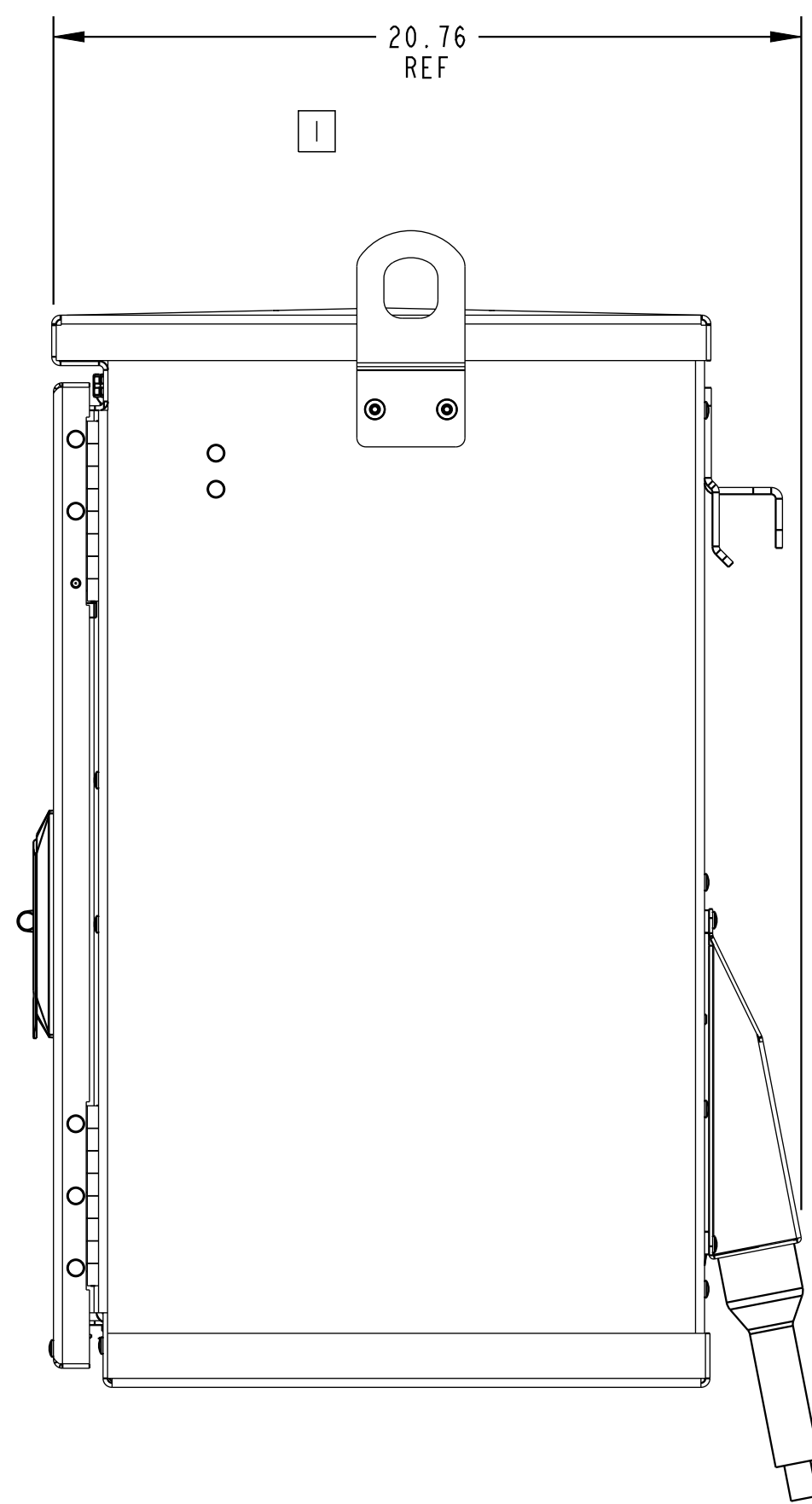
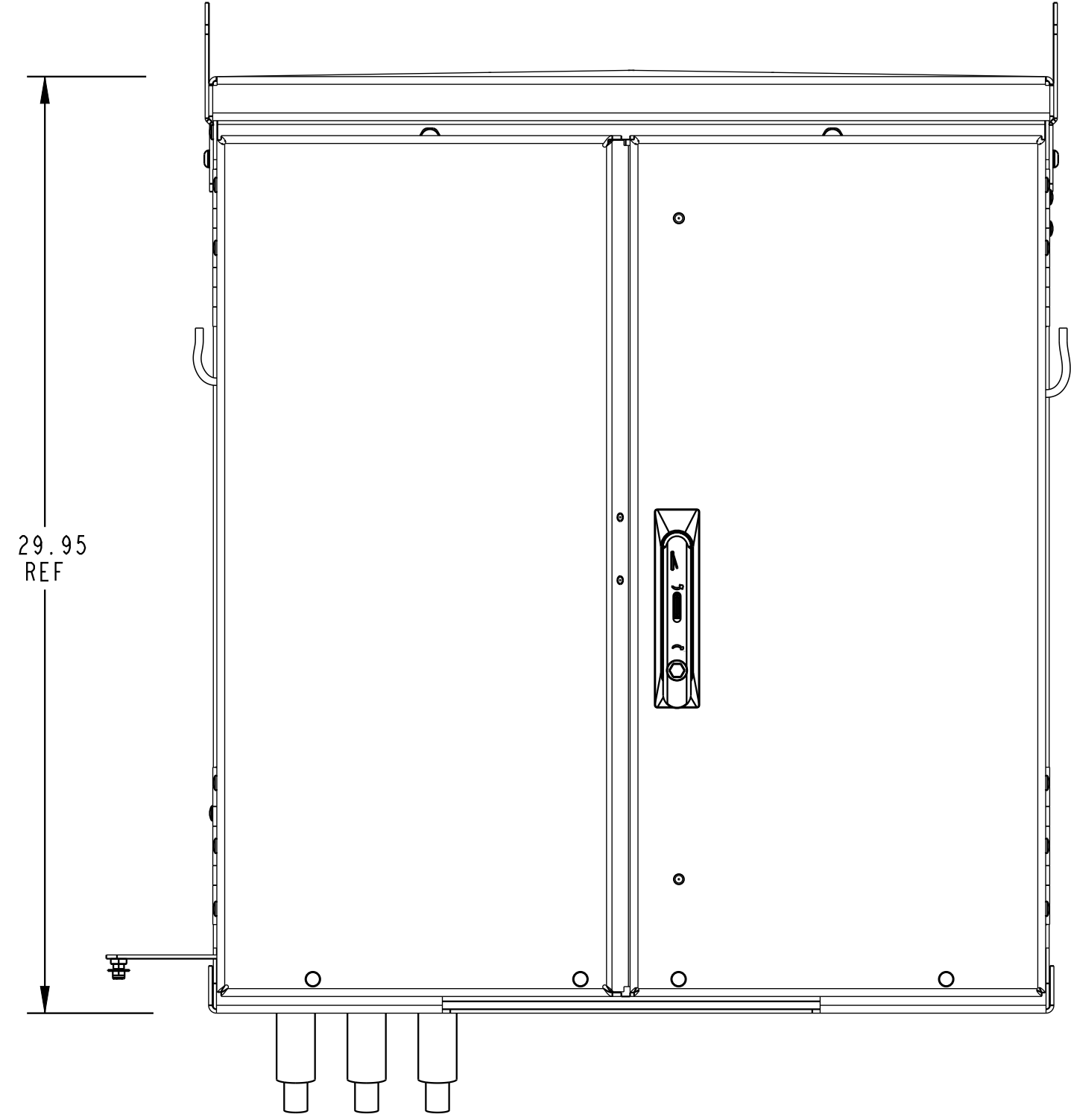
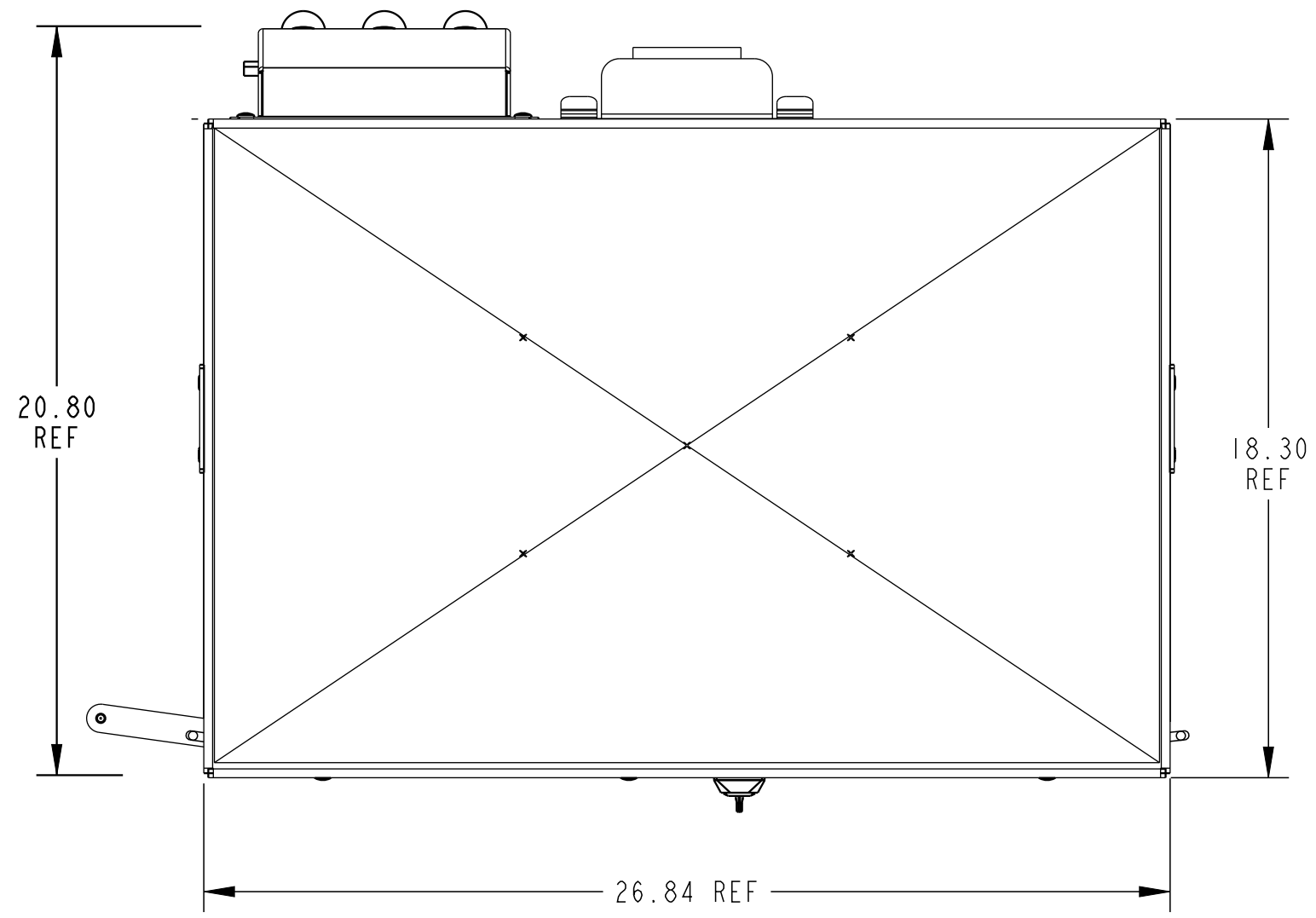


REV.	MCO	DWN	DATE
A	40016774MCO	JST	12-SEP-14
B	40032793MCO	JGZV	11-AUG-16



NOTES:

- 1 REMOVE THE LIFTING LUGS AND DISCARD THEM.
- 2 PADLOCK IS NOT PROVIDED.

COMMSCOPE, INC.

© 2016 COMMSCOPE, INC. CONFIDENTIAL NOTICE: THESE DRAWINGS AND SPECIFICATIONS ARE THE PROPRIETARY PROPERTY OF COMMSCOPE, INC. AND MAY BE USED ONLY FOR THE SPECIFIC PURPOSE AUTHORIZED IN WRITING BY COMMSCOPE, INC.		TITLE INST DRW, 288 FDH3000 POLE MOUNT	
ALL DIMS AND TOLERANCES ARE INCHES UNLESS OTHERWISE SPECIFIED	.XX:±N/A .XXX:±N/A ANGULAR:±N/A	C SIZE DRAWING NUMBER 300100105785	B REV
DO NOT SCALE DRAWING	ENGR: ARTURO MAYA DWN: JORGE SOTO	SHT. 1 OF 5	

DIMENSIONS IN INCHES
THIRD ANGLE PROJECTION

A

B

C

D

1

2

3

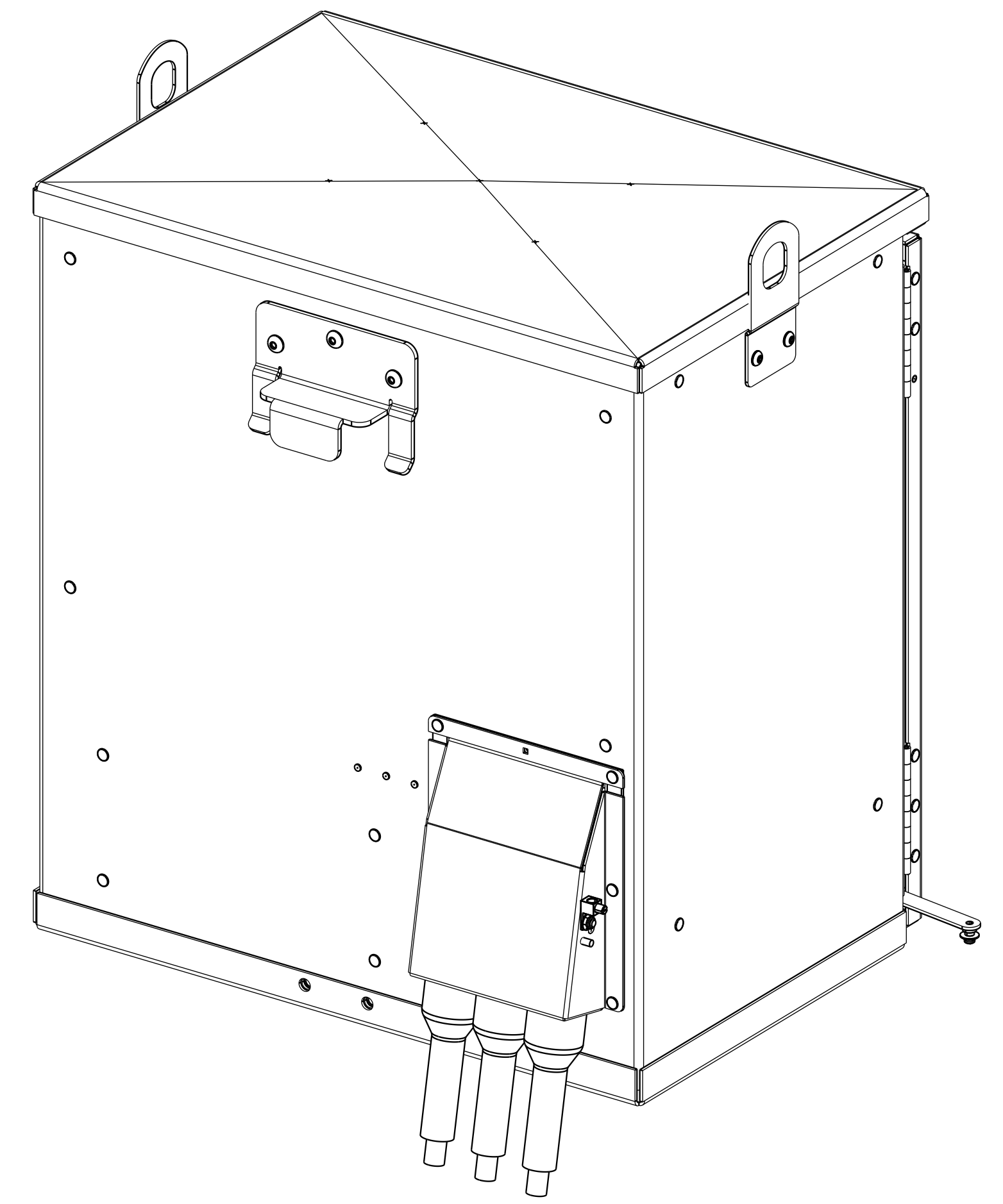
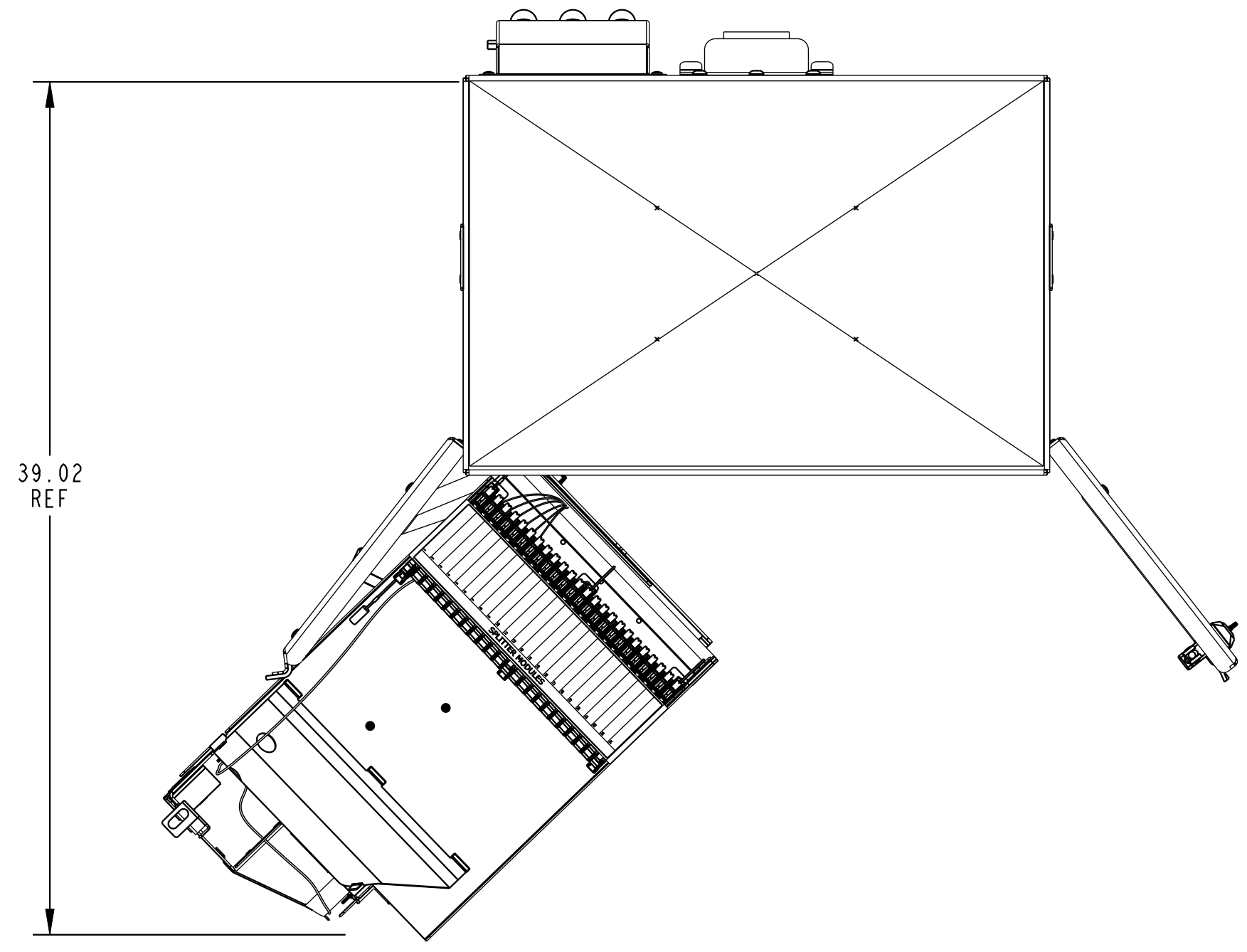
4

1

2

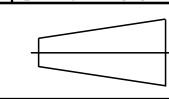
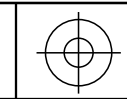
3

4



COMMSCOPE, INC.

<small>© 2016 COMMSCOPE, INC. CONFIDENTIAL NOTICE: THESE DRAWINGS AND SPECIFICATIONS ARE THE PROPRIETARY PROPERTY OF COMMSCOPE, INC. AND MAY BE USED ONLY FOR THE SPECIFIC PURPOSE AUTHORIZED IN WRITING BY COMMSCOPE, INC.</small>		TITLE INST DRW, 288 FDH3000 POLE MOUNT	
<small>ALL DIMS AND TOLERANCES ARE INCHES UNLESS OTHERWISE SPECIFIED</small>	<small>.XX:±N/A .XXX:±N/A ANGULAR:±N/A</small>	C SIZE	DRAWING NUMBER 300100105785
DO NOT SCALE DRAWING	ENGR: ARTURO MAYA DWN: JORGE SOTO	SHT. 2 OF 5	



DIMENSIONS IN INCHES
THIRD ANGLE PROJECTION

A

B

C

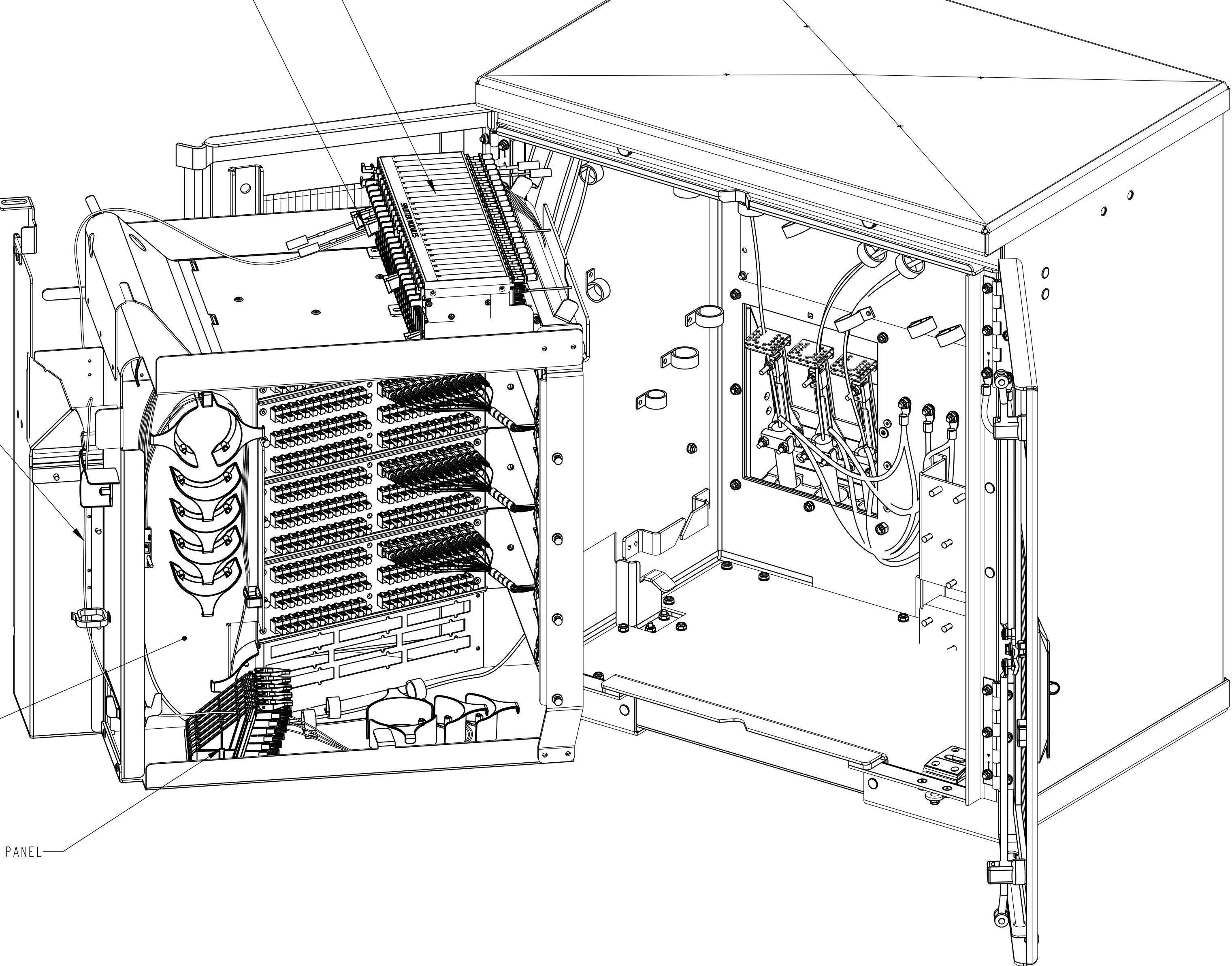
D

SPLITTER COMPARTMENT
SPLITTER MODULE

PASS THROUGH CABLE

FEEDER STORAGE PANEL

PATCH PANEL



COMMSCOPE, INC.

© 2016 COMMSCOPE, INC. CONFIDENTIAL
 NOTICE: THESE DRAWINGS AND SPECIFICATIONS
 ARE THE PROPRIETARY PROPERTY OF
 COMMSCOPE, INC. AND MAY BE USED ONLY FOR THE
 SPECIFIC PURPOSE AUTHORIZED IN WRITING BY
 COMMSCOPE, INC.

ALL DIMS AND TOLERANCES .XX:±N/A
 ARE INCHES UNLESS .XXX:±N/A
 OTHERWISE SPECIFIED ANGULAR:±N/A

DO NOT SCALE DRAWING

ENGR: ARTURO MAYA
 DWN: LUCERO XACA

TITLE INST DRW,
 288 FDH3000 POLE MOUNT

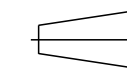
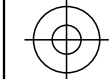
C SIZE	DRAWING NUMBER 300100105785	B REV
-----------	--------------------------------	----------

SHT. 3 OF 5

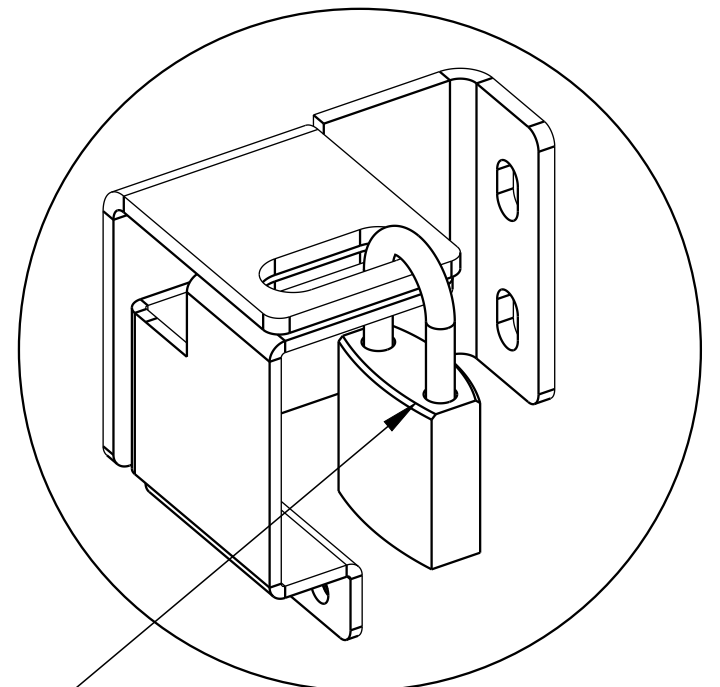
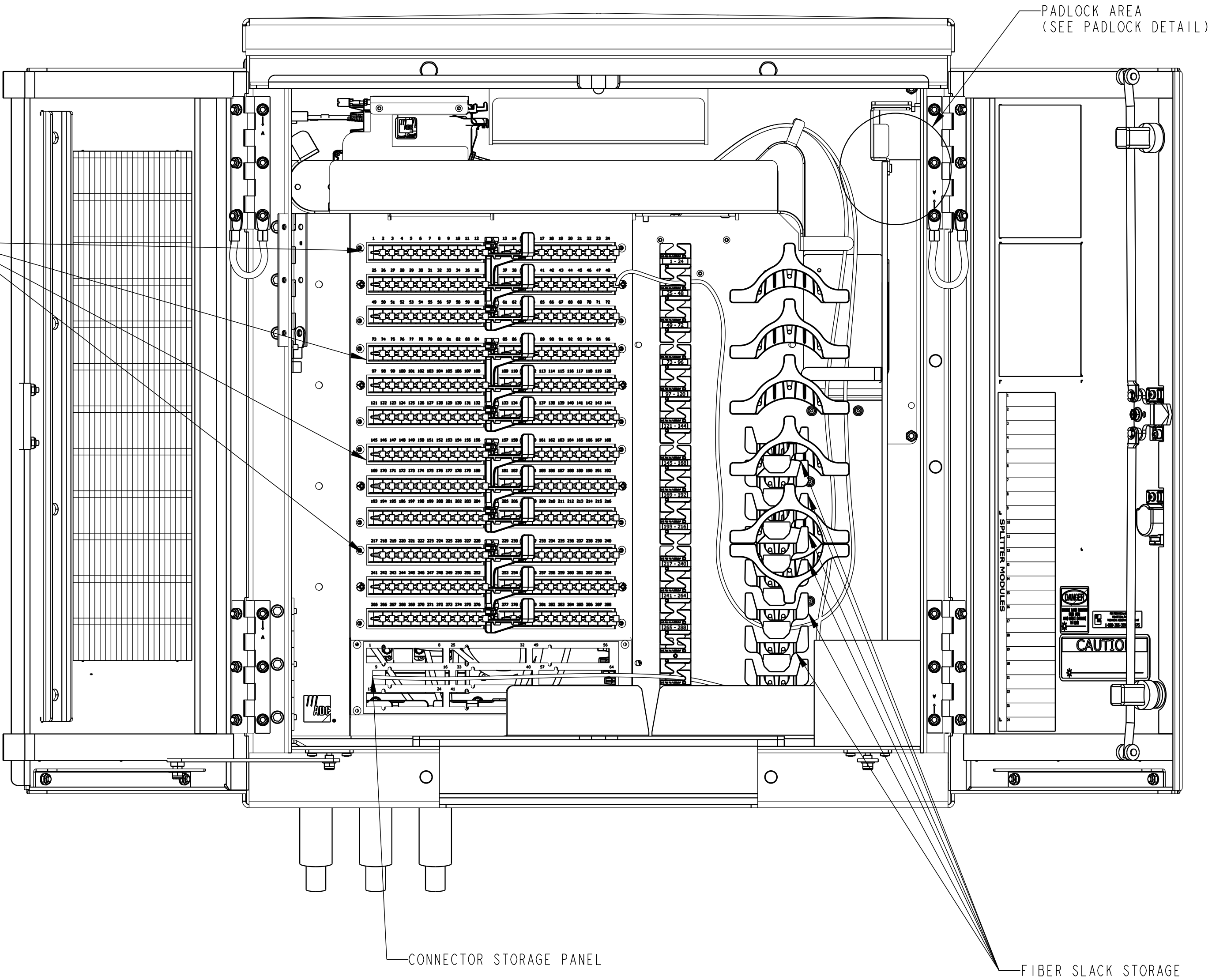
A

B

C



**DIMENSIONS IN INCHES
 THIRD ANGLE PROJECTION**



PADLOCK DETAIL

COMMSCOPE, INC.

© 2016 COMMSCOPE, INC. CONFIDENTIAL
 NOTICE: THESE DRAWINGS AND SPECIFICATIONS
 ARE THE PROPRIETARY PROPERTY OF
 COMMSCOPE, INC. AND MAY BE USED ONLY FOR THE
 SPECIFIC PURPOSE AUTHORIZED IN WRITING BY
 COMMSCOPE, INC.

ALL DIMS AND TOLERANCES .XX:±N/A
 ARE INCHES UNLESS .XXX:±N/A
 OTHERWISE SPECIFIED ANGULAR:±N/A

DO NOT SCALE DRAWING

TITLE	INST DRW, 288 FDH3000 POLE MOUNT		
DRAWING NUMBER	300100105785		
ENGR:	ARTURO MAYA	SHT.	4 OF 5
DWN:	LUCERO XACA		

DIMENSIONS IN INCHES
 THIRD ANGLE PROJECTION

A

B

C

D

Ø REF

3.57 REF

SEE DETAIL A

DETAIL A
SCALE 0.360

POLE MOUNT BRACKET SCREWS
FIRMLY TIGHTEN THE SCREWS
USING A 7/32 HEX KEY WRENCH

GASKET
IMPORTANT:
NOTE THE GASKET ORIENTATION
WHEN INSTALLING THE GASKET

© 2016 COMMSCOPE, INC. CONFIDENTIAL
NOTICE: THESE DRAWINGS AND SPECIFICATIONS
ARE THE PROPRIETARY PROPERTY OF
COMMSCOPE, INC. AND MAY BE USED ONLY FOR THE
SPECIFIC PURPOSE AUTHORIZED IN WRITING BY
COMMSCOPE, INC.

TITLE INST DRW,
288 FDH3000 POLE MOUNT

COMMSCOPE, INC.

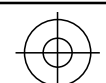
ALL DIMS AND TOLERANCES .XX:±N/A
ARE INCHES UNLESS .XXX:±N/A
OTHERWISE SPECIFIED ANGULAR:±N/A

C DRAWING NUMBER B
SIZE 300100105785 REV

DO NOT SCALE DRAWING

ENGR: ARTURO MAYA
DWN: LUCERO XACA

SHT. 5 OF 5



DIMENSIONS IN INCHES
THIRD ANGLE PROJECTION

A

B

C