

THIS DRAWING IS UNPUBLISHED.

RELEASED FOR PUBLICATION

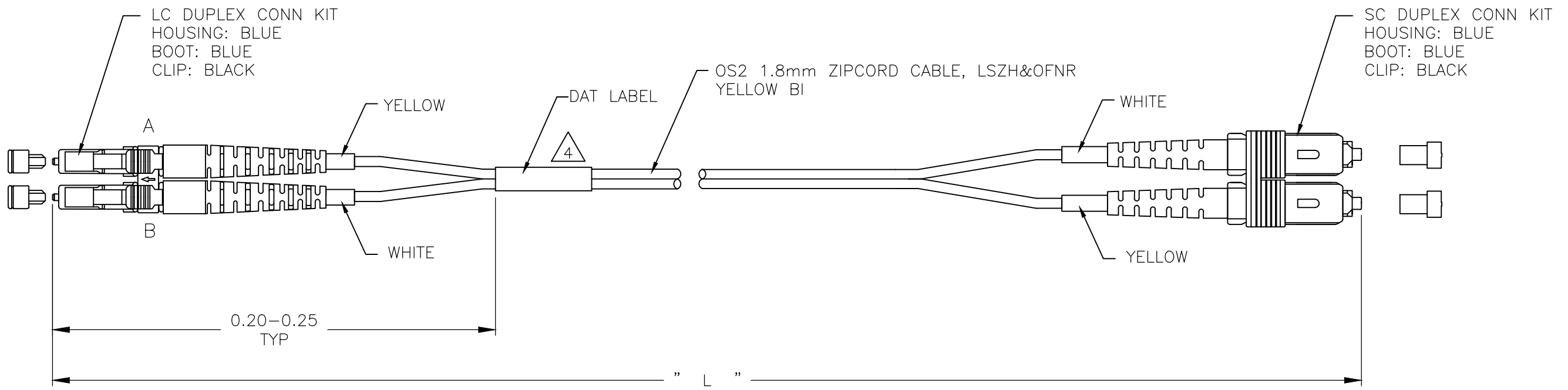
REVISIONS

© 2016 Commscope, INC. Confidential

NOTICE: These drawings and specifications are the proprietary property of COMMSCOPE, INC. and may be used only for the specific purpose authorized in writing by COMMSCOPE, INC.

P	LTR	DESCRIPTION	DATE	DWN	APVD
	D	40031648MCO	23JUN16	M.D	G.W

PART NUMBER	"L" (METER) & TOLERANCE (METER)
X-2105032-Y	ACC. TO CUSTOMER DRAWING 1859590



NOTES:

- 1 INSERTION LOSS: (MEASURED AGAINST REF. CONN AT 1310nm AND 1550nm)  
 <=0.3dB (LC)  
 <=0.5dB (SC)
- 2 RETURN LOSS >= 50dB MATED AT 1310nm AND 1550nm
- 3 TEST DATA SHEET TO BE ENCLOSED WITH UNIT PACKAGE
- 4 LABEL INFORMATION AS DETAIL.

LC (LEFT)	SC (RIGHT)
(A) YELLOW	WHITE
(B) WHITE	YELLOW

XXXXXXXXXXXXXXXXXX

x-2105032-y COO: China  
 LC-SC DPX OS2 1.8mm LSZH&OFNR "L" M

THIS DRAWING IS A CONTROLLED DOCUMENT.		DWN SHI BI YUN 23JUN09	COMMSCOPE, INC.		
DIMENSIONS: mm		CHK ALLEN GUMP 23JUN09			
TOLERANCES UNLESS OTHERWISE SPECIFIED:		APVD RICHARD ZHAO 23JUN09	NAME LC TO SC 1.8mm OS2 DUPLEX, LSZH&OFNR		
0 PLC ± -		PRODUCT SPEC	-		
1 PLC ± -		APPLICATION SPEC	-		
2 PLC ± -		SIZE	CAGE CODE	DRAWING NO	RESTRICTED TO
3 PLC ± -		-	-	A3 00779	G-2105032
4 PLC ± -		WEIGHT	-		
ANGLES ± -		CUSTOMER DRAWING			
FINISH -		SCALE NTS		SHEET 1 OF 1	REV D