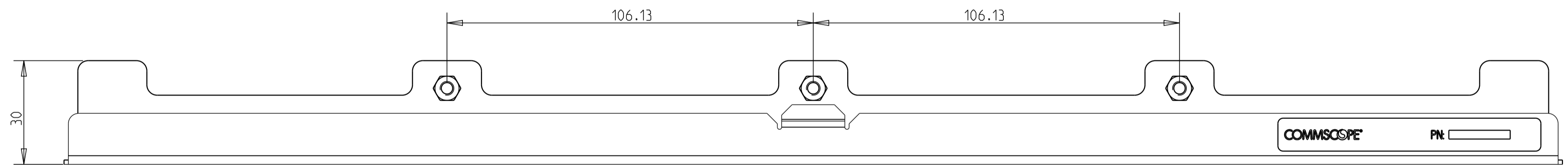
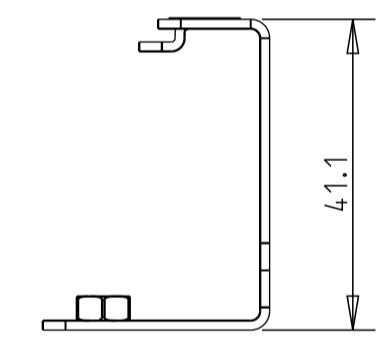
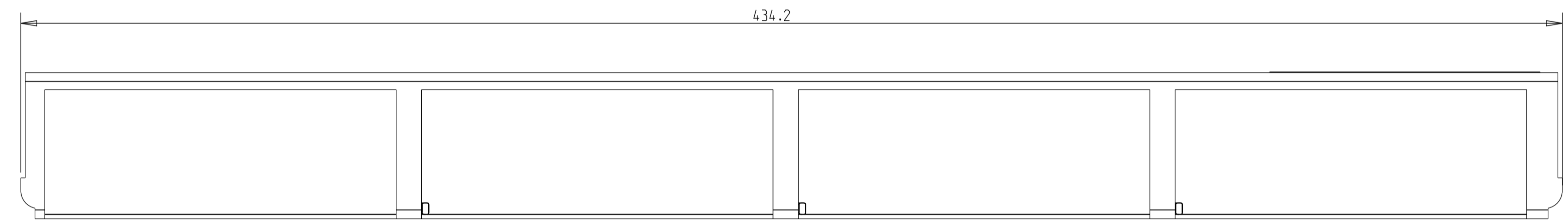
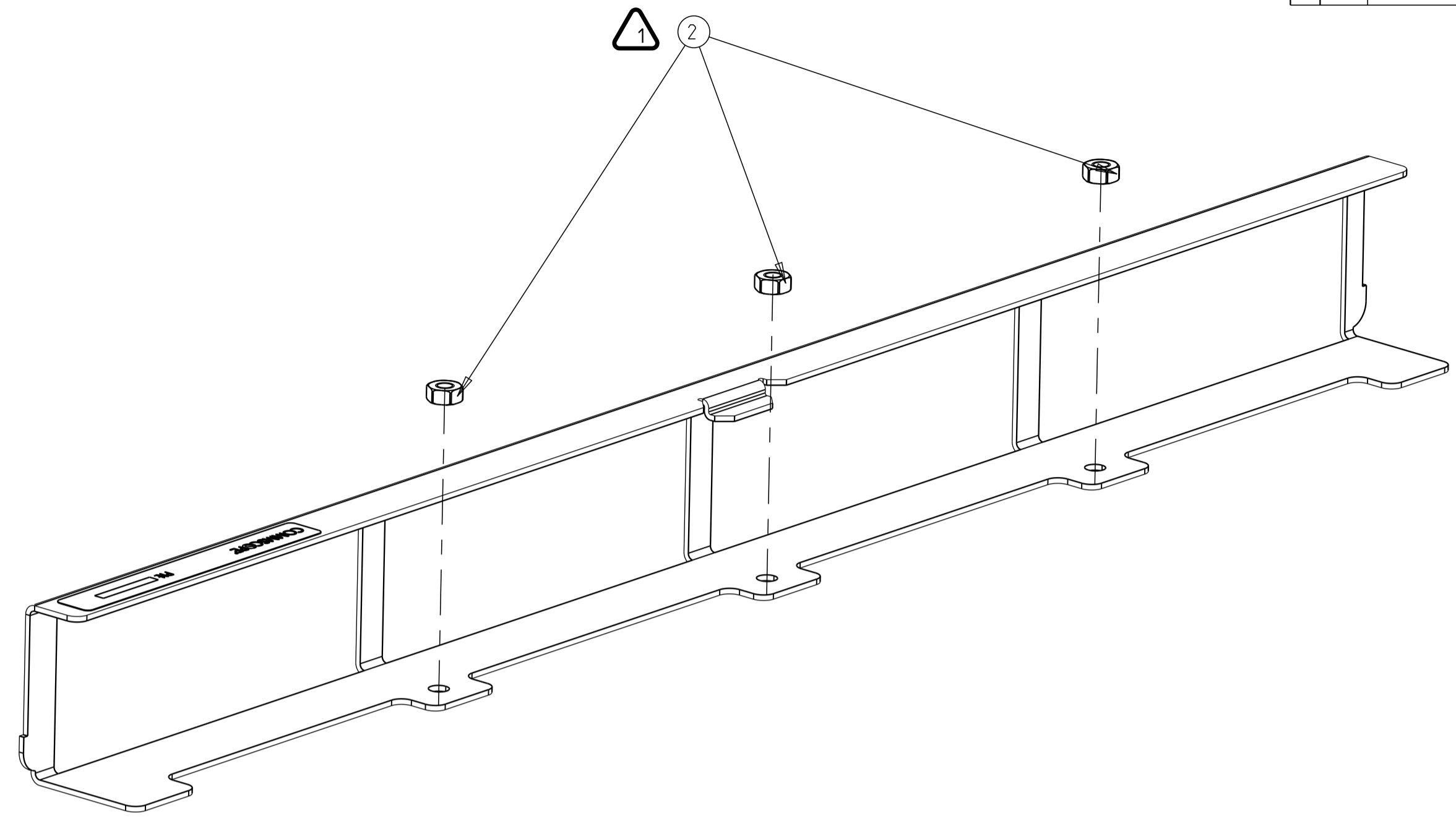
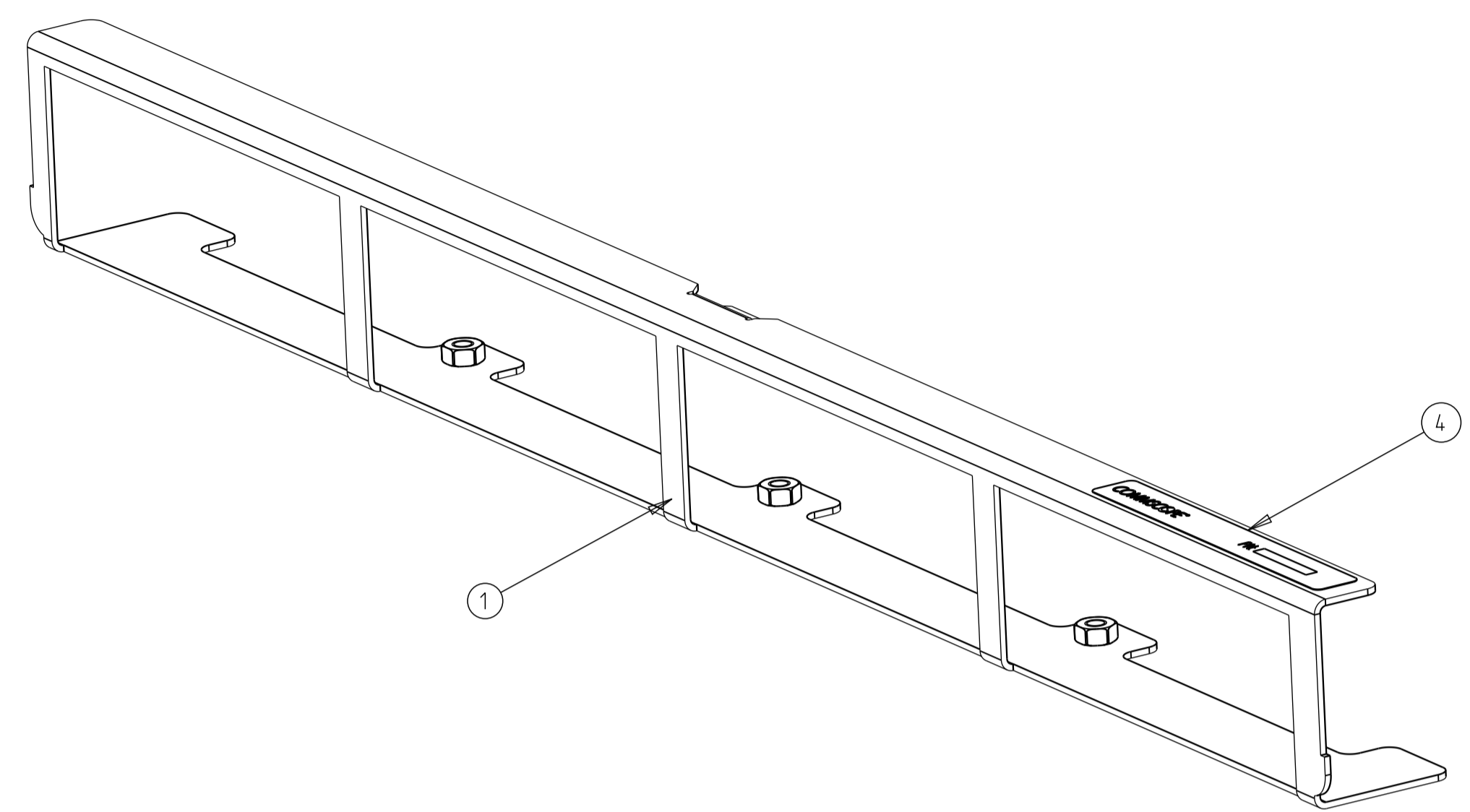


REVISIONS				
P.	LTN	DESCRIPTION	DATE	DWN APVD
D	ECR-13-00687		15JAN2013	HB DT
D1		Position of the label added	05MAR2013	WDV HB
E	ECN 8000017762 - REBRANDING		01DEC2016	OV LS



ITEMS 2 IS PACKED IN A PLASTIC BAG

QTY	DESCRIPTION	ITEM
1	Label	4
1	Installation instruction	3
3	Hexagon nut Din934 M4	2
1	Adaptor panel for 4 Quick Fit Modules (Grey RAL 7035)	1
-1	Adaptor panel for 4 Quick Fit Modules (Black RAL 9005)	1
-2		-1

THIS DRAWING IS A CONTROLLED DOCUMENT.

DWN	H. BLEUS	03MAR2009
CHK	H. BLEUS	03MAR2009
APVD	D. THIJS	03MAR2009

COMMSCOPE, INC.
 NAME: Adaptor panel, 4 Quick-Fit Modules Unpopulated
 SIZE: A1 CAGE CODE: - DRAWING NO: C=1671263-C
 RESTRICTED TO: -
 SCALE: 1.000 SHEET 1 OF 1 REV E

DIMENSIONS:	TOLERANCES UNLESS OTHERWISE SPECIFIED:
mm	0 PLC #SEE TABLE
	1 PLC #SEE TABLE
	2 PLC #SEE TABLE
	3 PLC #SEE TABLE
	4 PLC #SEE TABLE
	ANGLES #SEE TABLE
MATERIAL:	FINISH:
-	-

CUSTOMER DRAWING