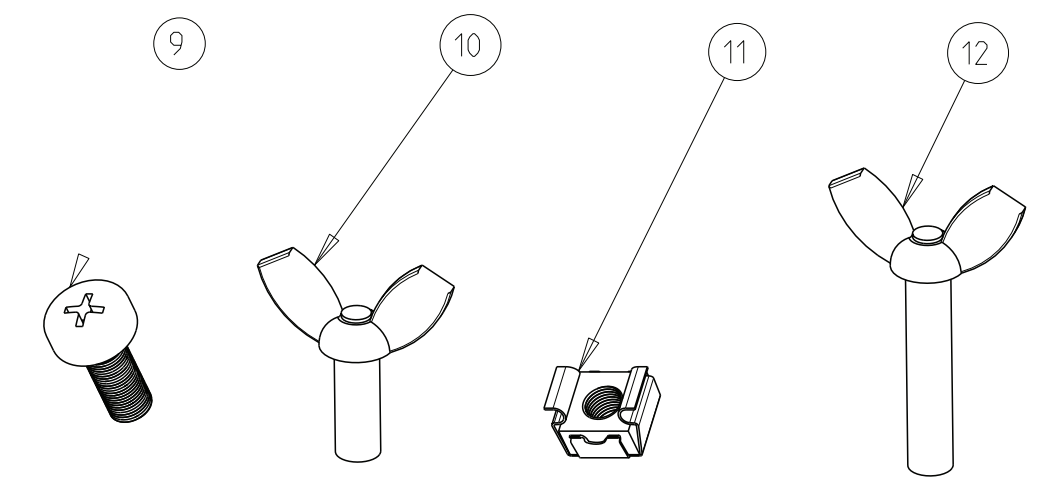
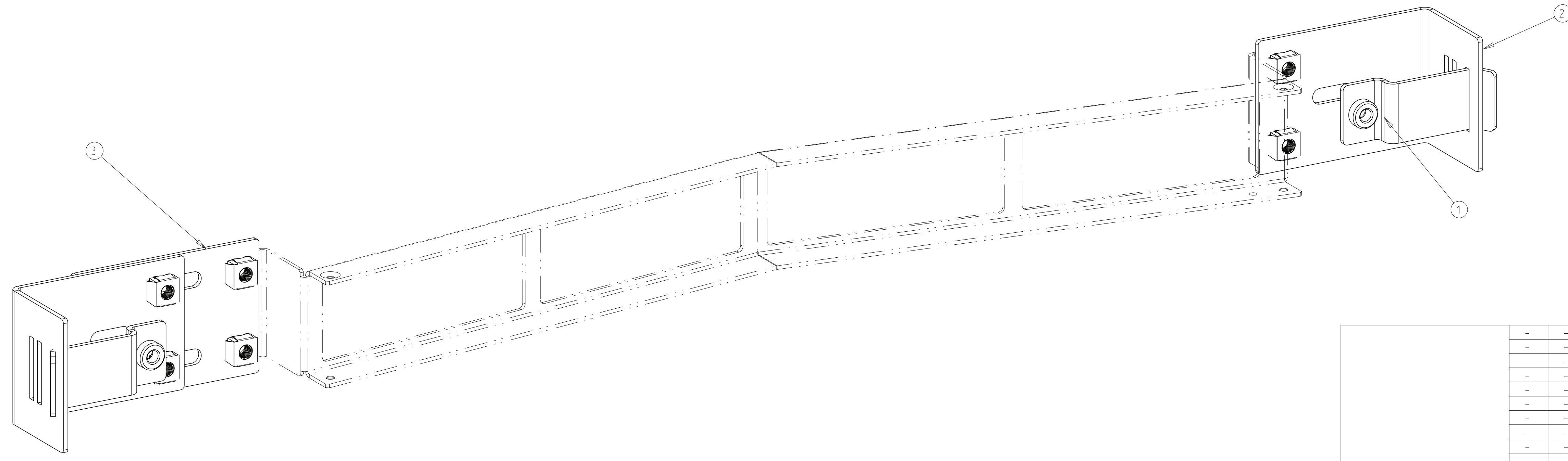
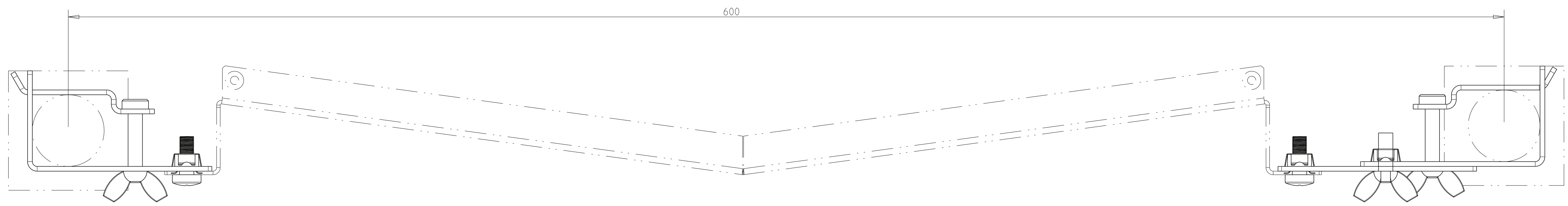
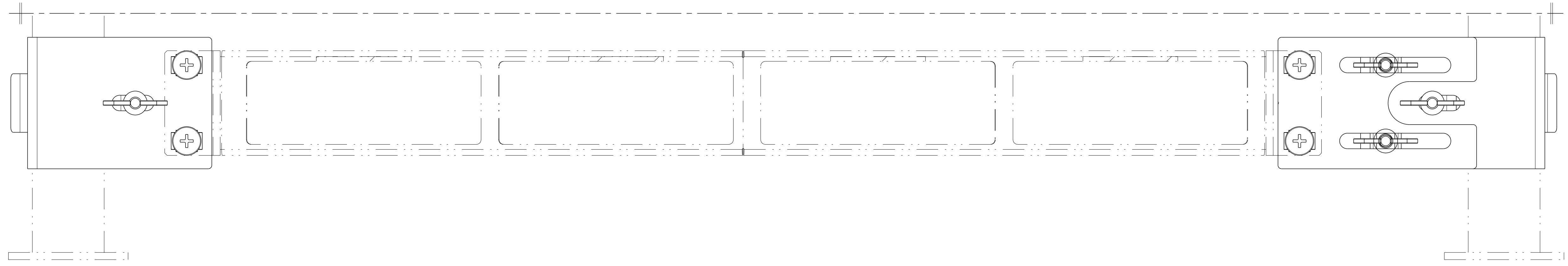


| REVISIONS | | | | |
|-----------|---------------------------|----------|-----|------|
| REV | DESCRIPTION | DATE | DWN | APVD |
| AC | ECN 8000017777-REBRANDING | 11-28-16 | SC | JV |



| QTY | DESCRIPTION | ITEM |
|-----|----------------------------|------|
| 2 | WING SCREW M6x30 | 12 |
| 6 | CAGE NUT M6 2.7mm | 11 |
| 2 | WING SCREW M6x16 | 10 |
| 4 | SCREW DIN 7985 M6x12 | 9 |
| - | SLIDING PLATE - SHK 4U | 8 |
| - | FIXED BRACKET - SHK 4U | 7 |
| - | HINGEABLE BRACKET - SHK 4U | 6 |
| - | SLIDING PLATE - SHK 2U | 5 |
| - | FIXED BRACKET - SHK 2U | 4 |
| - | SLIDING PLATE - SHK 1U | 3 |
| 2 | FIXED BRACKET - SHK 1U | 2 |
| 2 | HINGEABLE BRACKET - SHK | 1 |

| | | | | | |
|---------------------------------|----------------------|--|--|--------------------------|--|
| DRAWING STATUS | | REVISION DESCRIPTION: - Design hingeable - fixed bracket changed | | part N° : 1671189 | |
| RELEASED | | DRAWING BY NAME: J. VAN OUTRYVE DATE: 07-AUG-08 | DRAWING REVISION BY NAME: J. VAN OUTRYVE DATE: 21-AUG-08 | VOLUME in mm³ 1696024 | |
| SCALE: 0.250 | DRAWING FORMAT A1 | DRAWING TITLE SUBFLOOR HOLDER KIT 1U | | | |
| ISO-SYMBOL GENERAL TOLERANCE | | DRAWING SHEET, REVISION NUMBER D_0019257_01.AC | | REVISION AC | |
| COMMSCOPE, INC. | | THE DRAWING AND INFORMATION SET FORTH HEREON ARE THE PROPERTY OF COMMSCOPE, INC. AND ARE TO BE HELD IN TRUST AND CONFIDENCE. PUBLICATION, DUPLICATION, DISCLOSURE OR USE FOR ANY PURPOSE NOT EXPRESSLY AUTHORIZED IN WRITING BY COMMSCOPE IS PROHIBITED. | | | |

8

7

6

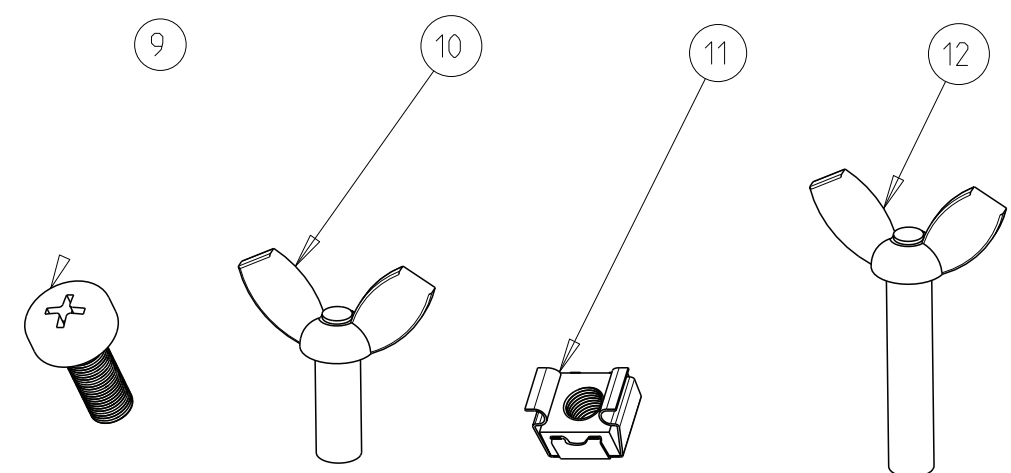
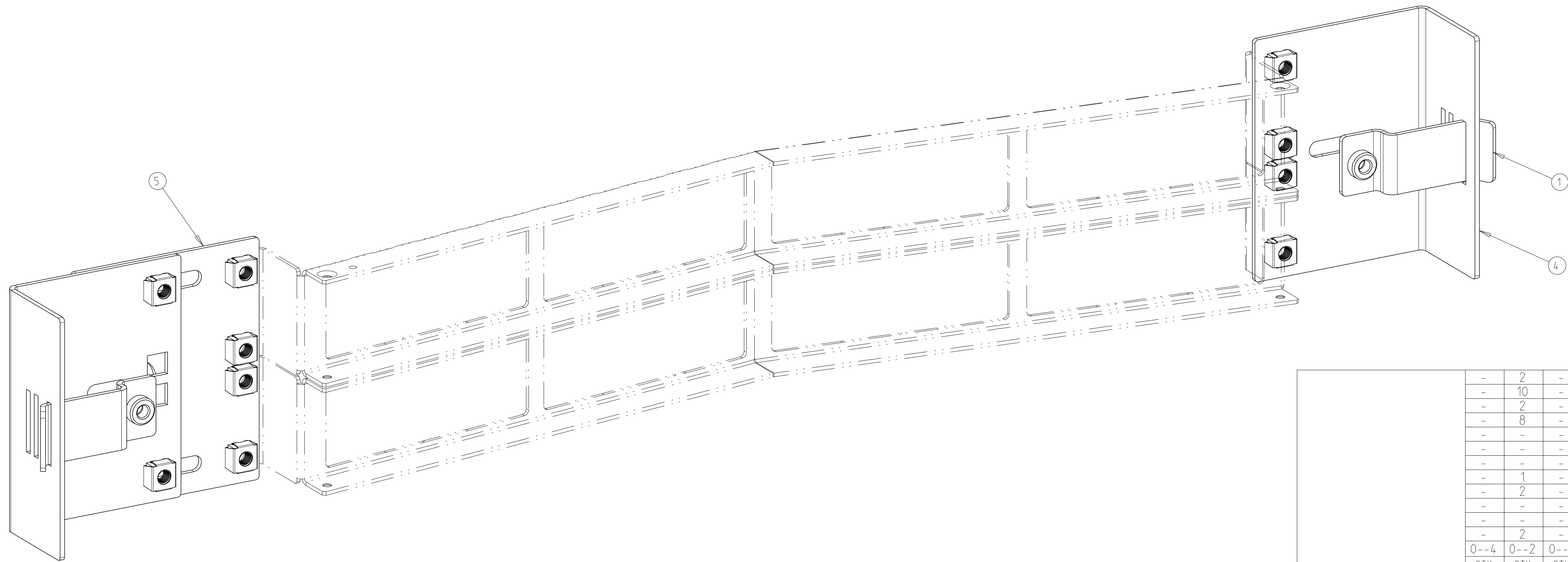
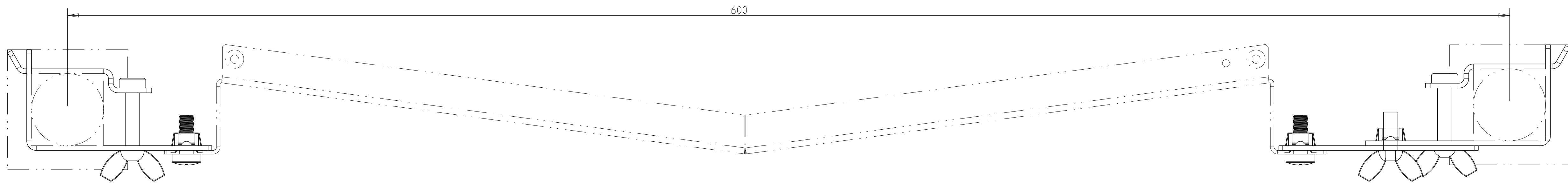
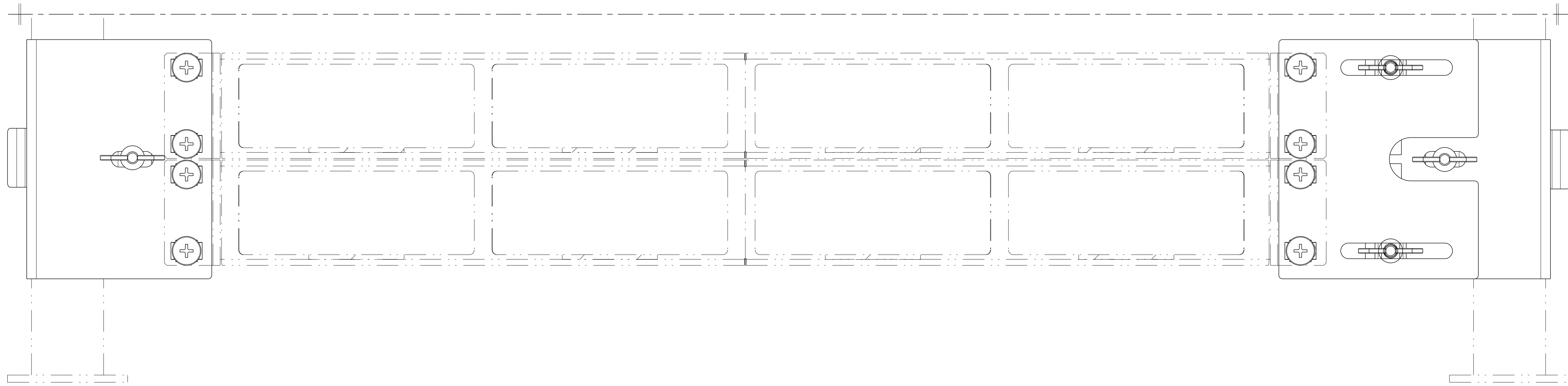
5

4

3

2

1



| QTY | QTY | QTY | DESCRIPTION | ITEM |
|-----|-----|-----|----------------------------|------|
| - | 2 | - | WING SCREW M6x30 | 12 |
| - | 10 | - | CAGE NUT M6 2.7mm | 11 |
| - | 2 | - | WING SCREW M6x16 | 10 |
| - | 8 | - | SCREW DIN 7985 M6x12 | 9 |
| - | - | - | SLIDING PLATE - SHK 4U | 8 |
| - | - | - | FIXED BRACKET - SHK 4U | 7 |
| - | - | - | HINGEABLE BRACKET - SHK 4U | 6 |
| - | 1 | - | SLIDING PLATE - SHK 2U | 5 |
| - | 2 | - | FIXED BRACKET - SHK 2U | 4 |
| - | - | - | SLIDING PLATE - SHK 1U | 3 |
| - | - | - | FIXED BRACKET - SHK 1U | 2 |
| - | 2 | - | HINGEABLE BRACKET - SHK | 1 |

CUSTOMER DRAWING part N° : 1671189

DRAWING STATUS: **RELEASED** REVISION DESCRIPTION: - Design hingeable - fixed bracket changed

DRAWING BY: J. VAN OUTRYVE DATE: 07-AUG-08 DRAWING REVISION BY: J. VAN OUTRYVE DATE: 21-AUG-08 VOLUME: 1653717

SCALE: 1000 DRAWING FORMAT: A1 DRAWING TITLE: SUBFLOOR HOLDER KIT - 2U

ISO-SYMBOL: GENERAL TOLERANCE: COMMSCOPE, INC. DRAWING SHEET, REVISION NUMBER: D.0019257.02.AC REVISION: AC

THE DRAWING AND INFORMATION SET FORTH HERE ON ARE THE PROPERTY OF COMMSCOPE, INC. AND ARE TO BE HELD IN TRUST AND CONFIDENCE. PUBLICATION, DUPLICATION, DISCLOSURE OR USE FOR ANY PURPOSE NOT EXPRESSLY AUTHORIZED IN WRITING BY COMMSCOPE IS PROHIBITED.

8

7

6

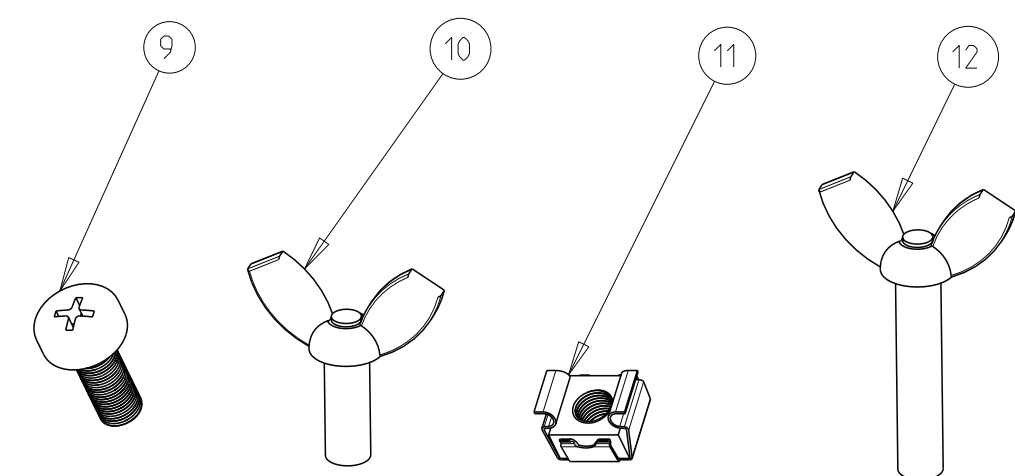
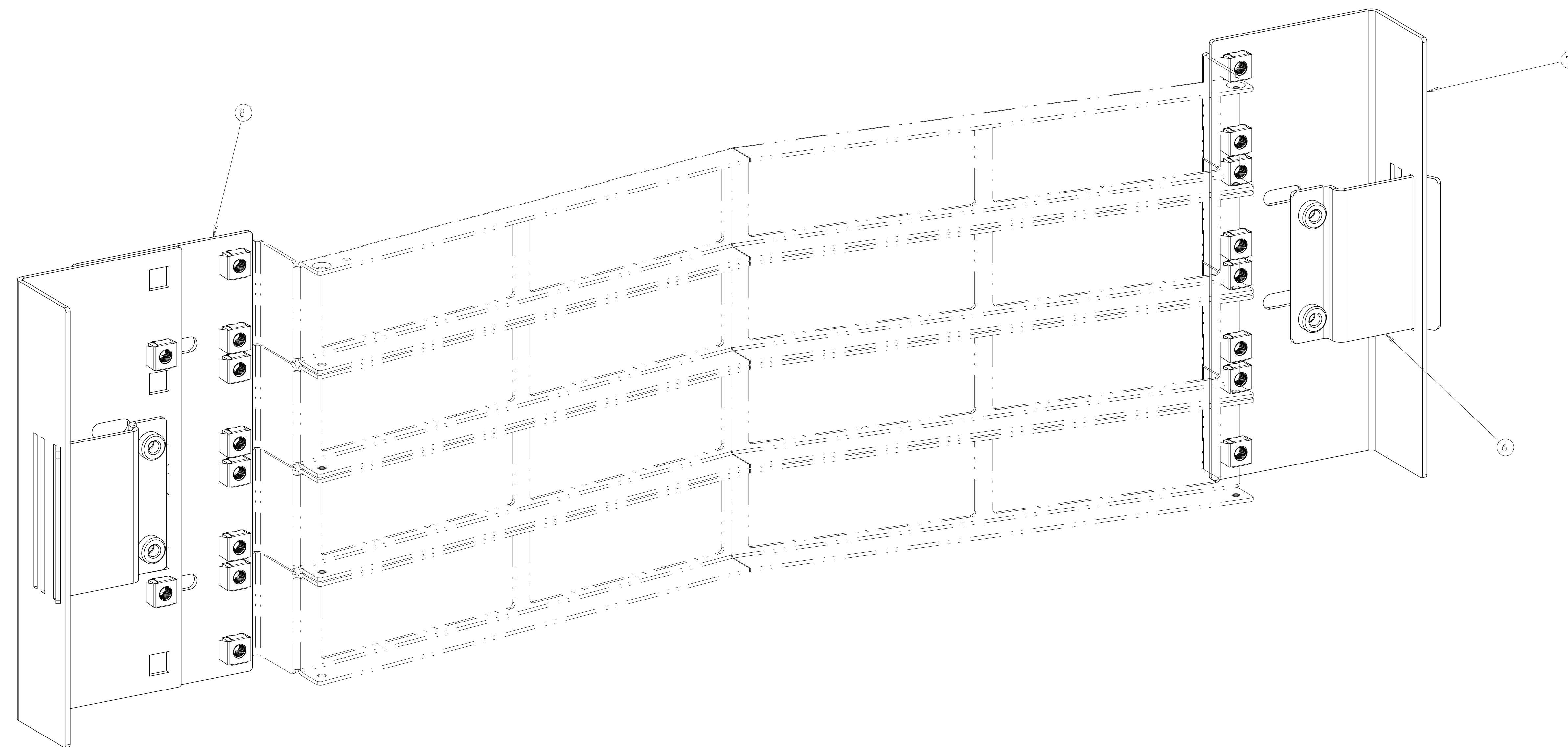
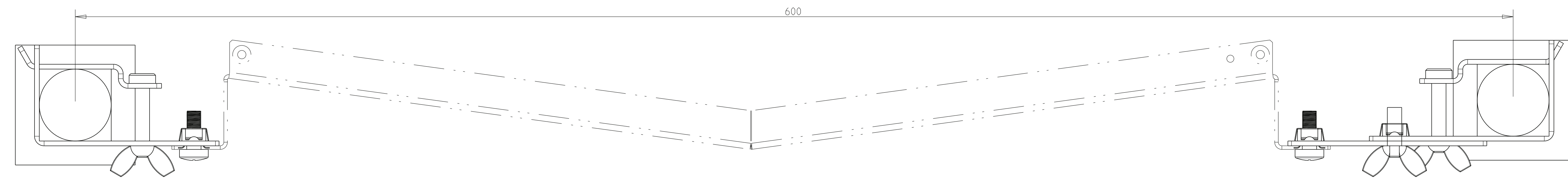
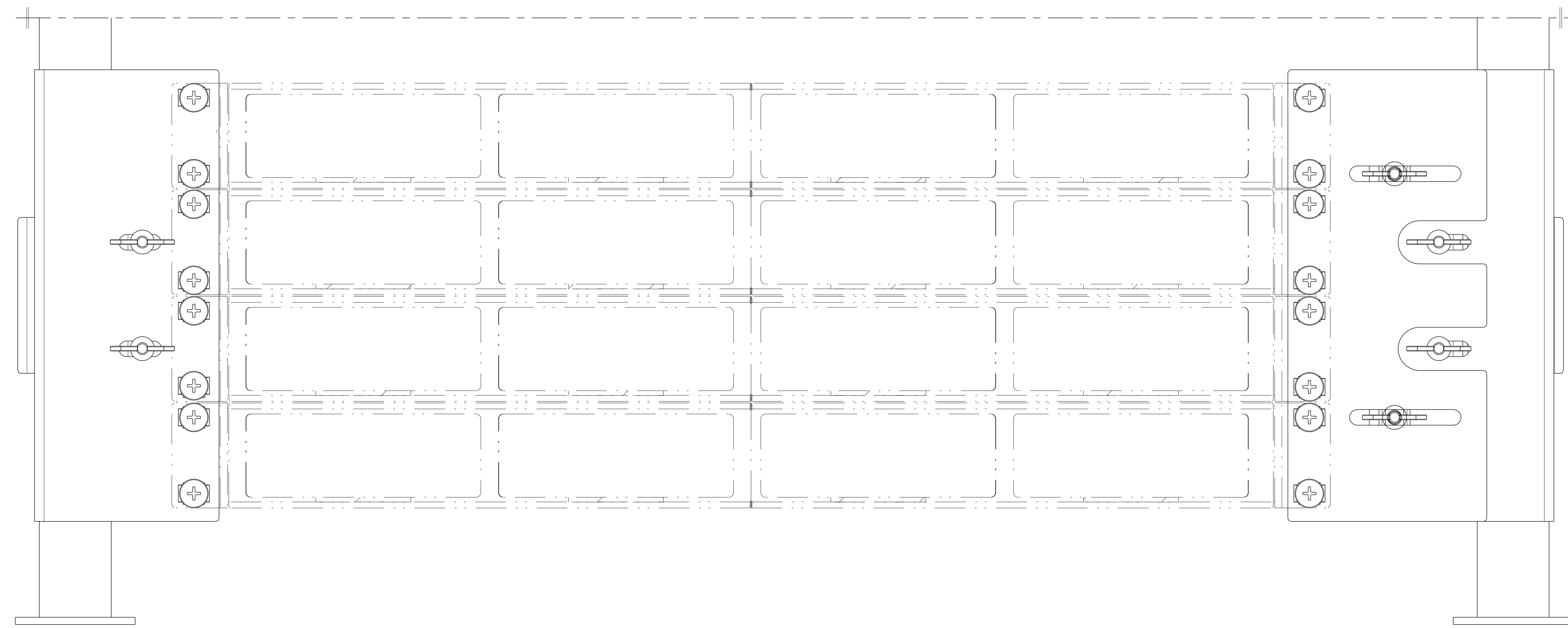
5

4

3

2

1



| QTY | QTY | QTY | DESCRIPTION | ITEM |
|-----|-----|-----|----------------------------|------|
| 4 | - | - | WING SCREW M6x30 | 12 |
| 18 | - | - | CAGE NUT M6 2.7mm | 11 |
| 2 | - | - | WING SCREW M6x16 | 10 |
| 16 | - | - | SCREW DIN 7985 M6x12 | 9 |
| 1 | - | - | SLIDING PLATE - SHK 4U | 8 |
| 2 | - | - | FIXED BRACKET - SHK 4U | 7 |
| 2 | - | - | HINGEABLE BRACKET - SHK 4U | 6 |
| - | - | - | SLIDING PLATE - SHK 2U | 5 |
| - | - | - | FIXED BRACKET - SHK 2U | 4 |
| - | - | - | SLIDING PLATE - SHK 1U | 3 |
| - | - | - | HINGEABLE BRACKET - SHK 1U | 2 |
| - | - | - | HINGEABLE BRACKET - SHK | 1 |

| DRAWING STATUS | | REVISION DESCRIPTION | | DRAWING REVISION BY | | DRAWING TITLE | |
|---------------------|--|--|--|--------------------------------|--|---------------------|--|
| RELEASED | | - Design hingeable - Fixed bracket changed | | NAME: J. VAN OUTRYVE | | DRAWING TITLE | |
| SCALE: 1000 | | DATE: 07-AUG-08 | | NAME: J. VAN OUTRYVE | | DRAWING TITLE | |
| ISO SYMBOLS | | GENERAL TOLERANCE | | DATE: 21-AUG-08 | | DRAWING TITLE | |
| COMMSCOPE, INC. | | D.0019257.03.AC | | DRAWING SHEET, REVISION NUMBER | | REVISION | |
| 1631391 | | 1631391 | | 1631391 | | 1631391 | |
| SUBFLOOR HOLDER KIT | | SUBFLOOR HOLDER KIT | | SUBFLOOR HOLDER KIT | | SUBFLOOR HOLDER KIT | |
| AC | | AC | | AC | | AC | |

THE DRAWING AND INFORMATION SET FORTH HERE ON ARE THE PROPERTY OF COMMSCOPE, INC. AND ARE TO BE HELD IN TRUST AND CONFIDENCE. PUBLICATION, DUPLICATION, DISCLOSURE OR USE FOR ANY PURPOSE NOT EXPRESSLY AUTHORIZED IN WRITING BY COMMSCOPE IS PROHIBITED.