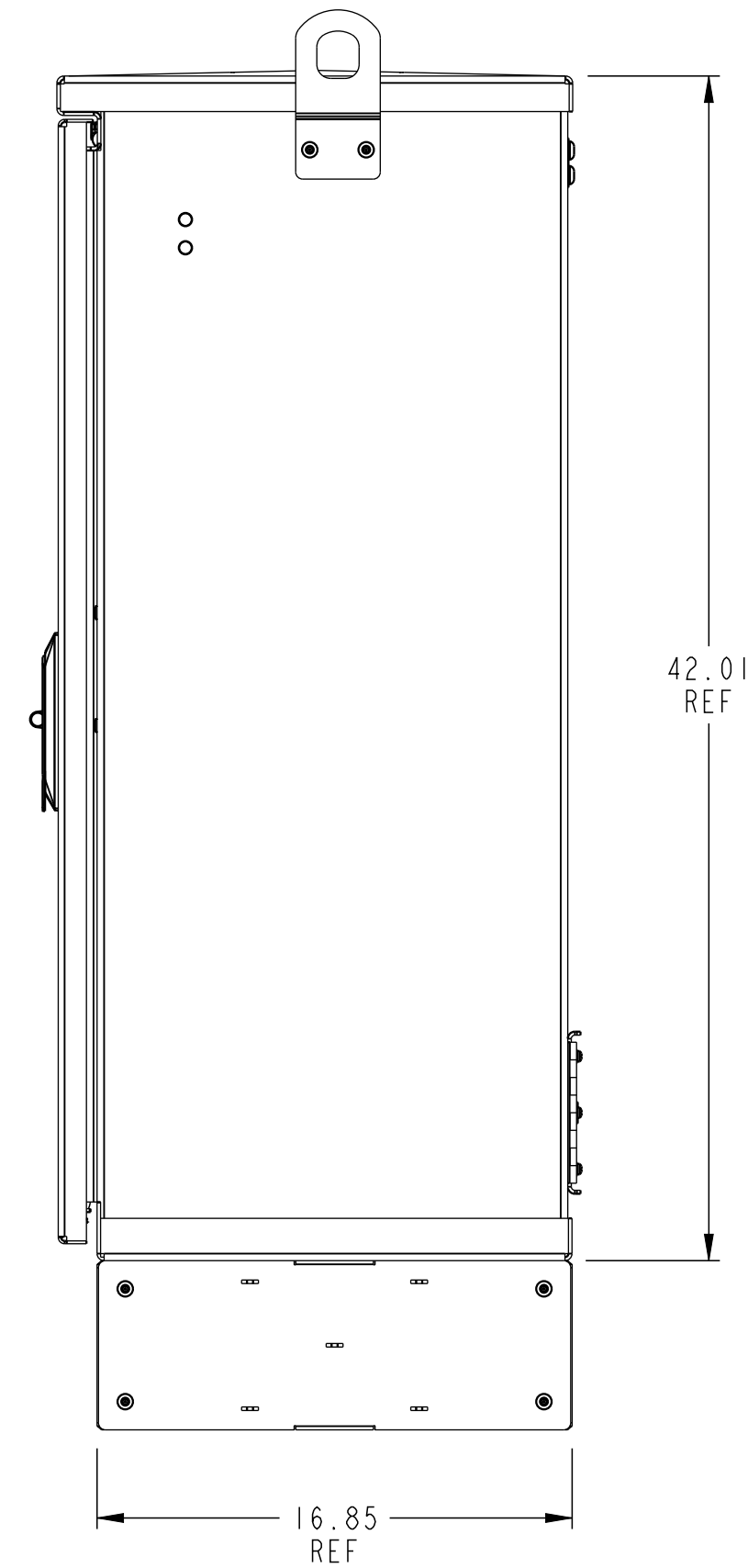
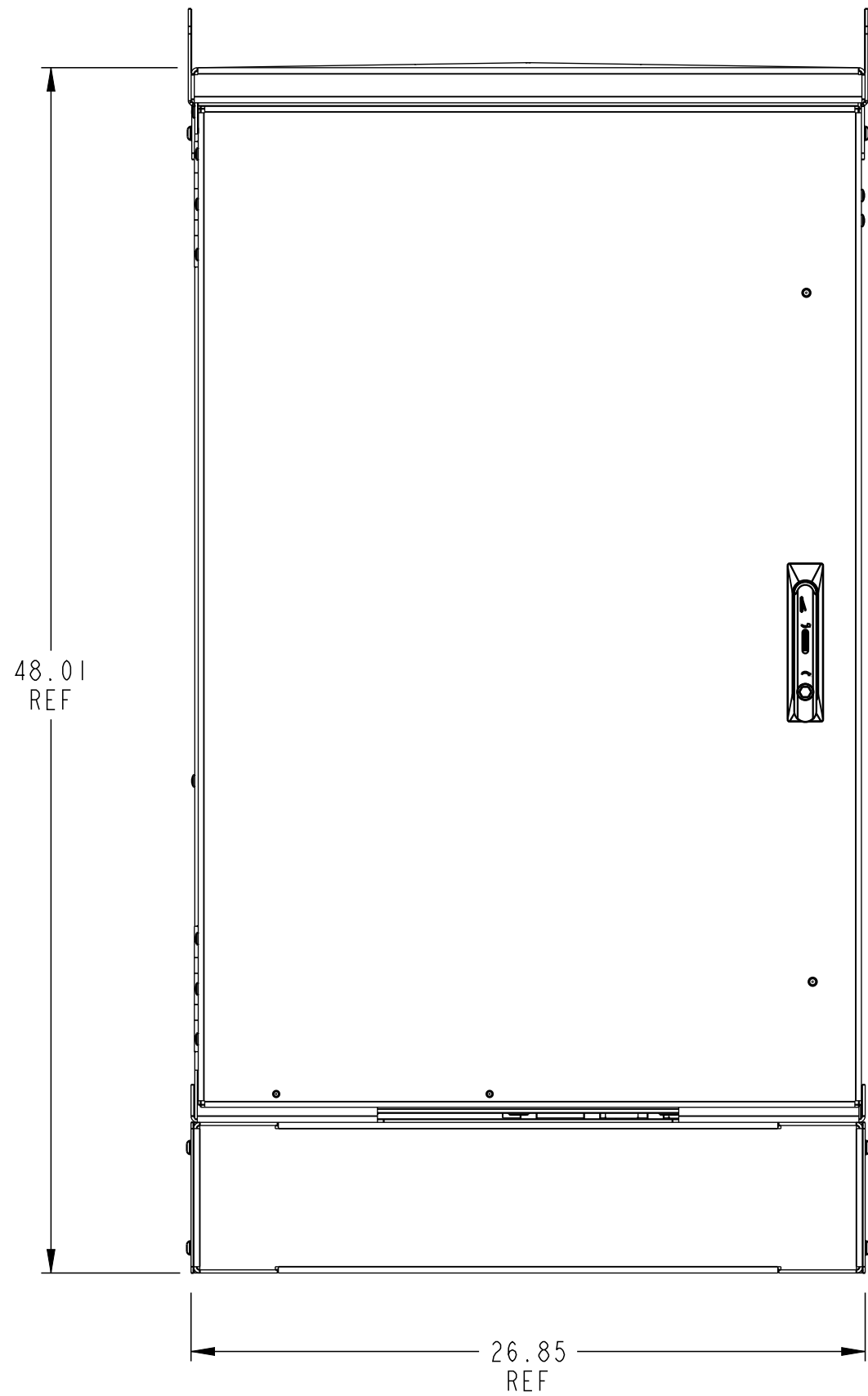
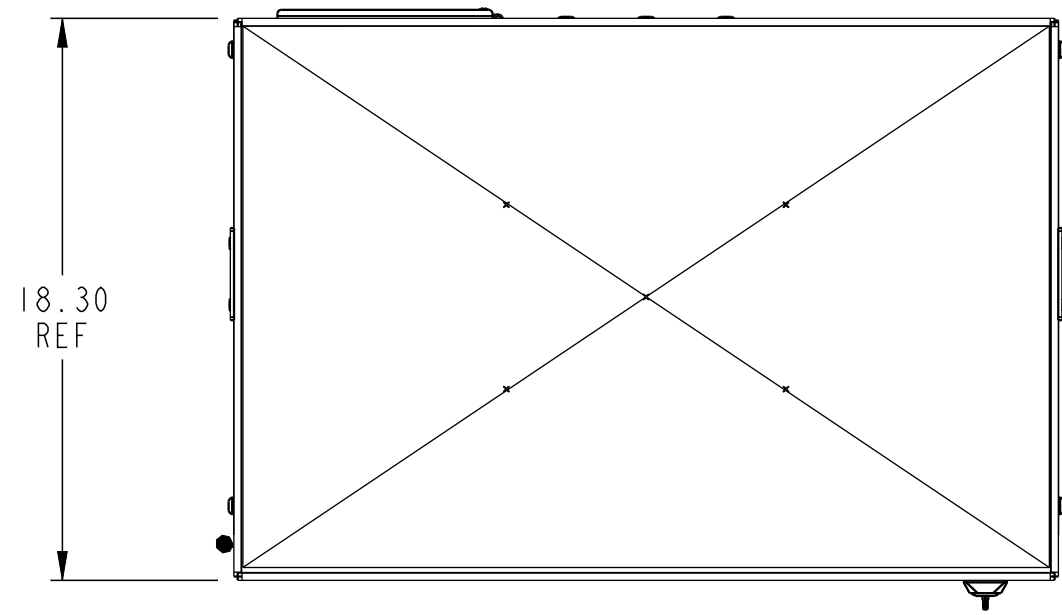


REV	MCO	DWN	DATE
E	40028950MCO	CA	16-MAR-16
D	40032857MCO	RCR	18-AUG-16



COMMSCOPE, INC.

<small>© 2016 COMMSCOPE, INC. CONFIDENTIAL NOTICE: THESE DRAWINGS AND SPECIFICATIONS ARE THE PROPRIETARY PROPERTY OF COMMSCOPE, INC. AND MAY BE USED ONLY FOR THE SPECIFIC PURPOSE AUTHORIZED IN WRITING BY COMMSCOPE, INC.</small>		TITLE FDH3000 432 INSTALLATION DWG	
<small>ALL DIMS AND TOLERANCES .XX:±N/A ARE INCHES UNLESS .XXX:±N/A OTHERWISE SPECIFIED ANGULAR:±N/A</small>		C SIZE DRAWING NUMBER 1448338_ADC	D REV
DO NOT SCALE DRAWING		ENGR: ARTURO MAYA DWN: JORGE SOTO	SHT. 1 OF 3

DIMENSIONS IN INCHES
 THIRD ANGLE PROJECTION

A

B

C

D

1

1

2

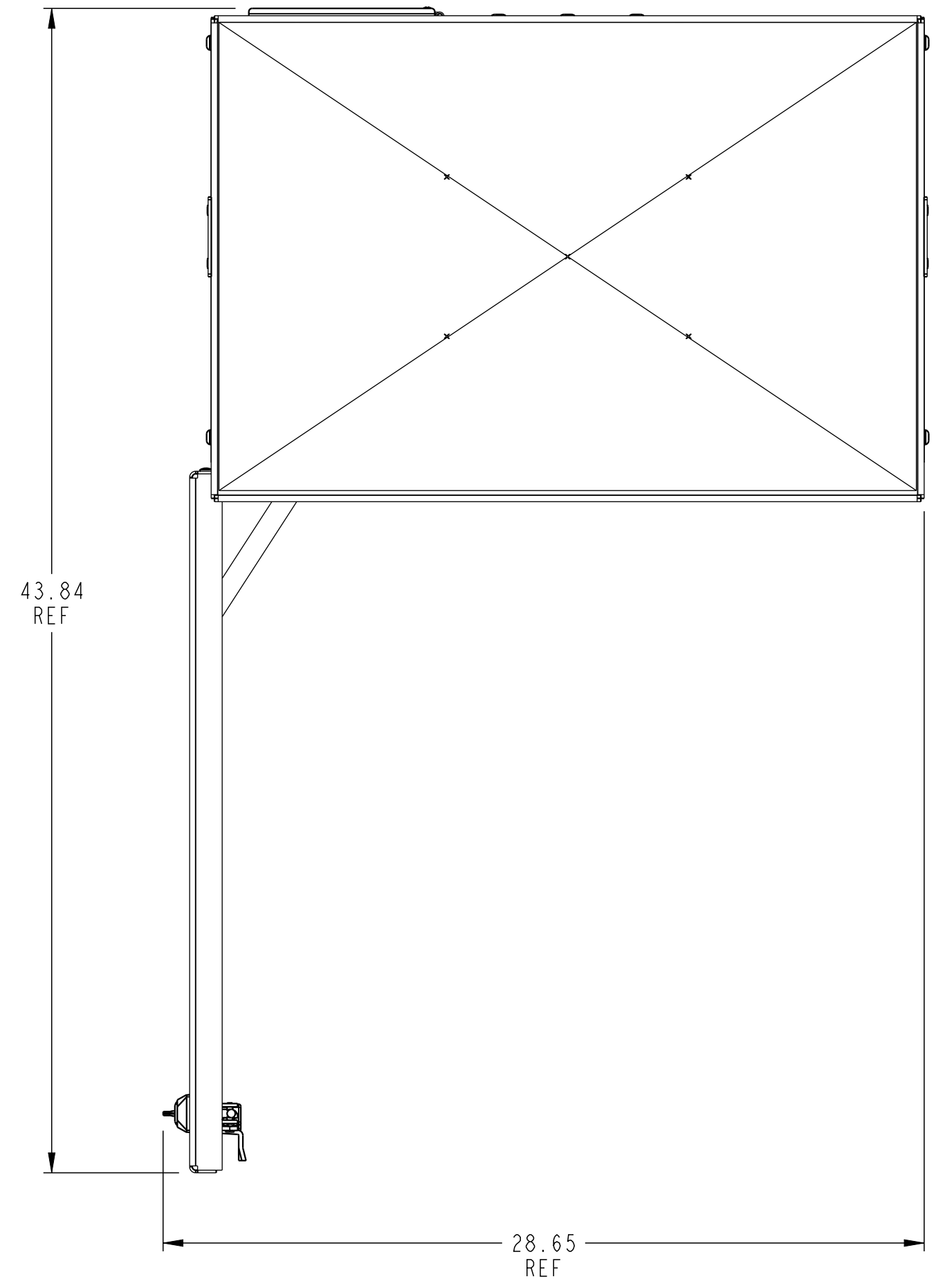
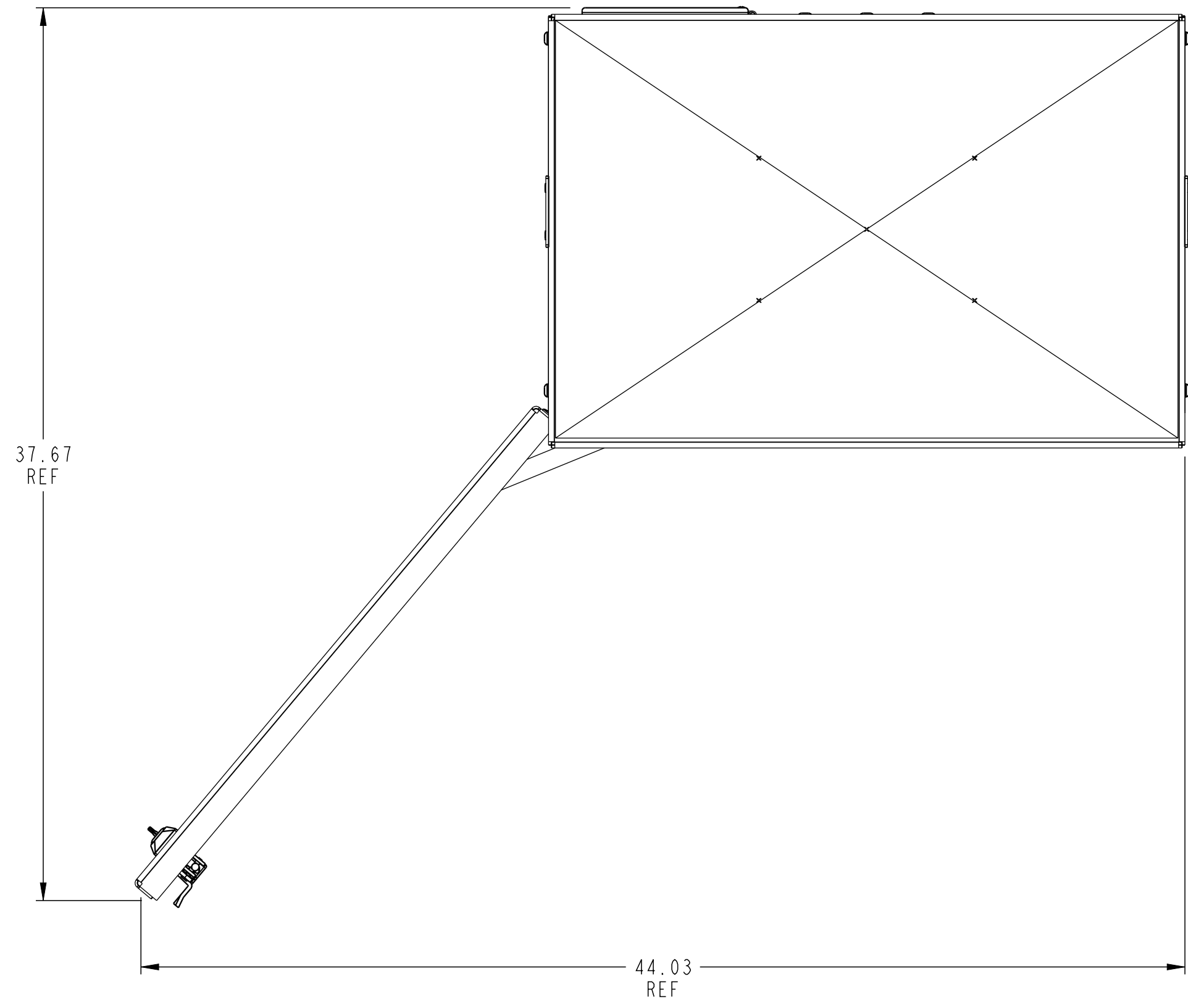
2

3

3

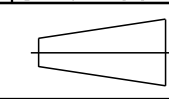
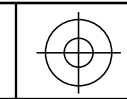
4

4



COMMSCOPE, INC.

<small>© 2016 COMMSCOPE, INC. CONFIDENTIAL NOTICE: THESE DRAWINGS AND SPECIFICATIONS ARE THE PROPRIETARY PROPERTY OF COMMSCOPE, INC. AND MAY BE USED ONLY FOR THE SPECIFIC PURPOSE AUTHORIZED IN WRITING BY COMMSCOPE, INC.</small>		TITLE FDH3000 432 INSTALLATION DWG	
<small>ALL DIMS AND TOLERANCES .XX:±N/A ARE INCHES UNLESS .XXX:±N/A OTHERWISE SPECIFIED ANGULAR:±N/A</small>		C SIZE	DRAWING NUMBER 1448338_ADC
DO NOT SCALE DRAWING		ENGR: ARTURO MAYA DWN: JORGE SOTO	SHT. 2 OF 3



**DIMENSIONS IN INCHES
 THIRD ANGLE PROJECTION**

A

B

C

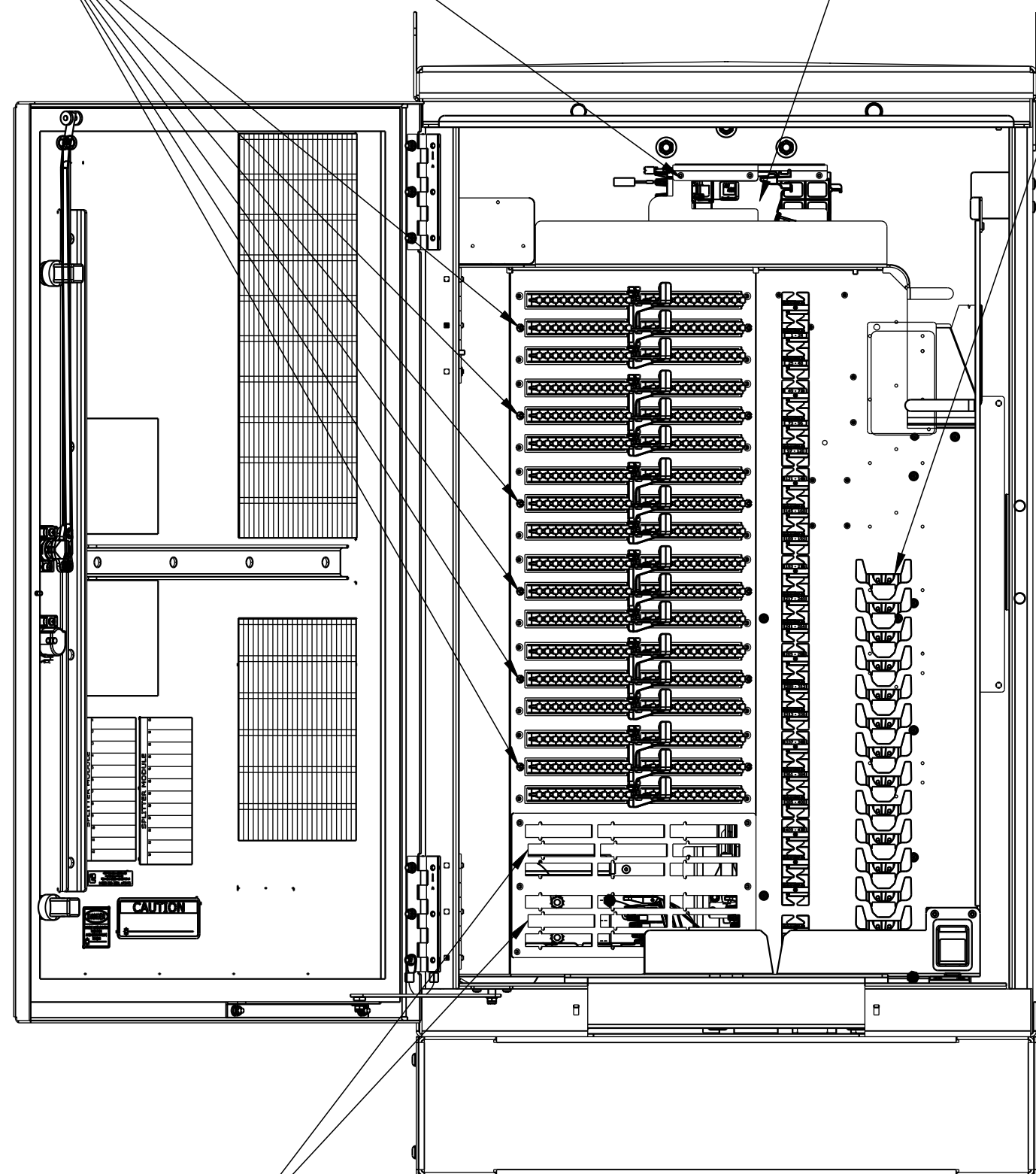
A

B

C

D

DISTRIBUTION PANELS
 SPLITTER CHASSIS
 SPLITTER MODULE
 SLACK FIBER STORAGE

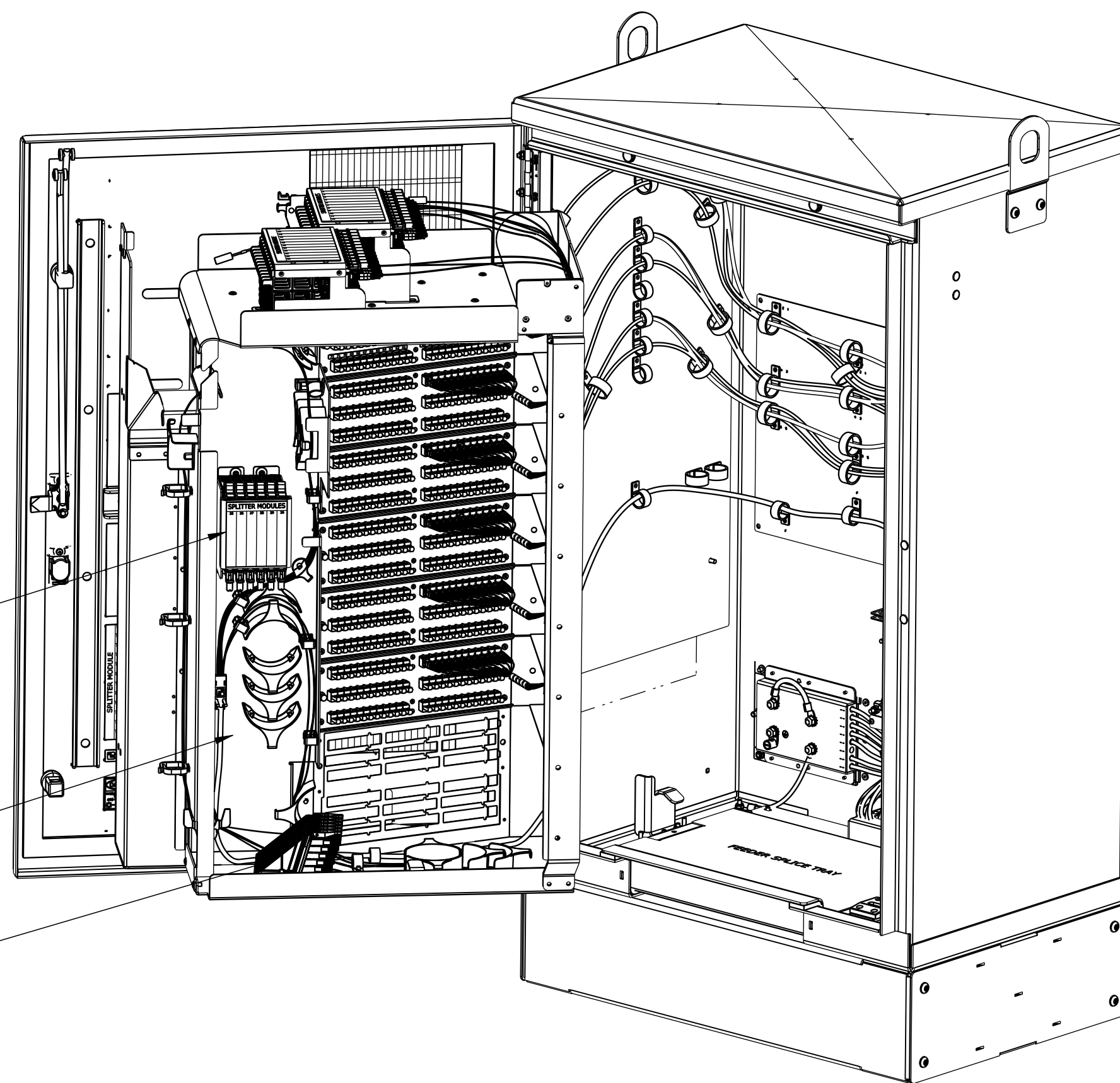


CONNECTOR STORAGE PANEL

SPLITTER CHASSIS

FEEDER PANEL

PATCH PANEL



COMMSCOPE, INC.

© 2016 COMMSCOPE, INC. CONFIDENTIAL
 NOTICE: THESE DRAWINGS AND SPECIFICATIONS
 ARE THE PROPRIETARY PROPERTY OF
 COMMSCOPE, INC. AND MAY BE USED ONLY FOR THE
 SPECIFIC PURPOSE AUTHORIZED IN WRITING BY
 COMMSCOPE, INC.

TITLE
 FDH3000 432
 INSTALLATION DWG

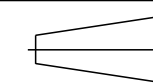
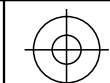
ALL DIMS AND TOLERANCES .XX:±N/A
 ARE INCHES UNLESS .XXX:±N/A
 OTHERWISE SPECIFIED ANGULAR:±N/A

DRAWING NUMBER
 1448338_ADC

DO NOT SCALE DRAWING

ENGR: ARTURO MAYA
 DWN: JORGE SOTO

SHT. 3 OF 3



DIMENSIONS IN INCHES
 THIRD ANGLE PROJECTION

A

B

C

1

2

3

4

1

2

3

4