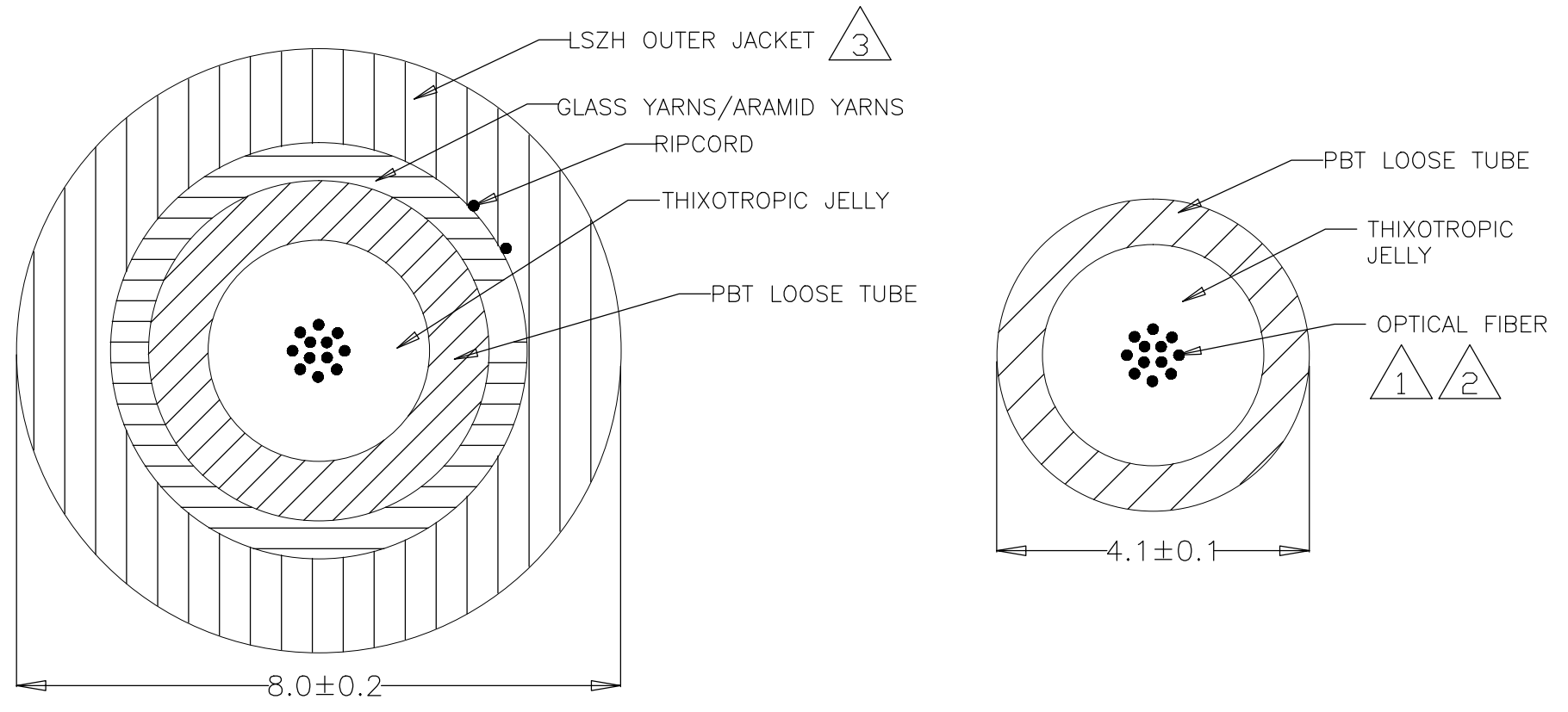


DWC NO 1427439
THIS DRAWING IS A CONTROLLED DOCUMENT.

1 OPTICAL FIBER SPECIFICATIONS:

| PART NUMBER | FIBER TYPE | CABLE TYPE | | ATTENUATION db/km | | | | OFL BANDWIDTH MHz-Km | |
|-------------|------------|------------|---------|-------------------|--------|--------|--------|----------------------|--------|
| | | | | 850nm | 1300nm | 1310nm | 1550nm | 850nm | 1300nm |
| X-1427439-1 | 62.5/125 | OM1 | MAXIMUM | 3.5 | 1.5 | N/A | N/A | 200 | 600 |
| X-1427439-2 | 50/125 | OM2 | MAXIMUM | 3.5 | 1.5 | N/A | N/A | 500 | 500 |
| X-1427439-3 | 50/125 | OM3 | MAXIMUM | 3.5 | 1.5 | N/A | N/A | 1500 | 500 |
| X-1427439-4 | SM,G652D | OS2 | MAXIMUM | N/A | NA | 0.36 | 0.23 | N/A | N/A |
| X-1427439-5 | 50/125 | OM4 | MAXIMUM | 3.5 | 1.5 | N/A | N/A | 3500 | 500 |



2 OPTICAL FIBERS TO BE COLOR-CODED BLUE, ORANGE, GREEN, BROWN, GREY, WHITE, RED, BLACK YELLOW, VIOLET, PINK, AQUA PER TIA/EIA 598A.

3 CABLE OUTER JACKET:
A. OUTER JACKET MATERIAL TO BE LSZH.
B. JACKET COLOR TO BE BLACK.

4 RATINGS:
A. STORAGE TEMPERATURE: -40°C TO +70°C
B. OPERATING TEMPERATURE: -20°C TO +70°C
C. INSTALLATION TEMPERATURE: -10°C TO +60°C
D. MAXIMUM INSTALLATION TENSILE STRENGTH: 1800 N
E. MAXIMUM OPERATION TENSILE STRENGTH: 800 N
F. MINIMUM BEND RADIUS AT INSTALLATION: 20 TIMES CABLE DIAMETER
G. MINIMUM BEND RADIUS, UNLOADED: 10 TIMES CABLE DIAMETER
H. CRUSH RESISTANCE: 1000 N/10cm
I. CABLE WEIGHT: 73 KG/KM NOMINAL

5 MM/YY MONTH/YEAR - EXAMPLE: 06/16

6 XXXXX - SEQUENTIAL METER MARKING
TOLERANCE ON LENGTH MARKINGS: -0%/+10%

7 FIBER-CABLE TYPE-- "SM-OS2" FOR SINGLE MODE, "50/125-OM2", "62.5/125-OM1", "50/125-OM3", "50/125-OM4" FOR MULTIMODE.

8 PRINT LEGEND ACCORDING 101-131550 METHOD A, LEGEND TO BE REPEATED EVERY METER IN INDENTED WHITE INK.

1 **7** **5** **6**
COMMSCOPE 8mm INDOOR/OUTDOOR OPTICAL CABLE X-1427439-Y 12F [Fiber type] LSZH [Batch code] MM/YY XXXX (M)

| PART NUMBER LIST | | | | |
|------------------|-------------|-------------|-------------|------------------|
| 8-1427439-5 | 3-1427439-5 | 2-1427439-5 | 1-1427439-5 | 50/125-OM4 |
| 8-1427439-4 | 3-1427439-4 | 2-1427439-4 | 1-1427439-4 | SM-OS2 |
| 8-1427439-3 | 3-1427439-3 | 2-1427439-3 | 1-1427439-3 | 50/125-OM3 |
| 8-1427439-2 | 3-1427439-2 | 2-1427439-2 | 1-1427439-2 | 50/125-OM2 |
| 8-1427439-1 | 3-1427439-1 | 2-1427439-1 | 1-1427439-1 | 62.5/125-OM1 |
| CUT LENGTH | 3000M | 2000M | 1000M | FIBER-CABLE TYPE |

| | | | | | | | |
|--------------|--|---|--|--------------------|--|------------------------|--|
| DWN ENIAC XU | | 07SEP2010 | | MATERIAL - | | HEAT TREAT - | |
| CHK - | | APVD RICKY CHEN | | 07SEP2010 | | COMMSCOPE, INC. | |
| NAME | | CABLE, FIBER OPTIC, INDOOR/OUTDOOR, LOOSE TUBE, LSZH, 12 FIBERS | | | | | |
| SCALE - | | SIZE A2 | | DRAWING NO 1427439 | | SHEET 1 OF 1 REV D | |

| DIMENSIONS: | | TOLERANCES UNLESS OTHERWISE SPECIFIED: | |
|-------------|---|--|--|
| mm | | | |
| 0 PLC | ± | - | |
| 1 PLC | ± | - | |
| 2 PLC | ± | - | |
| 3 PLC | ± | - | |
| 4 PLC | ± | - | |