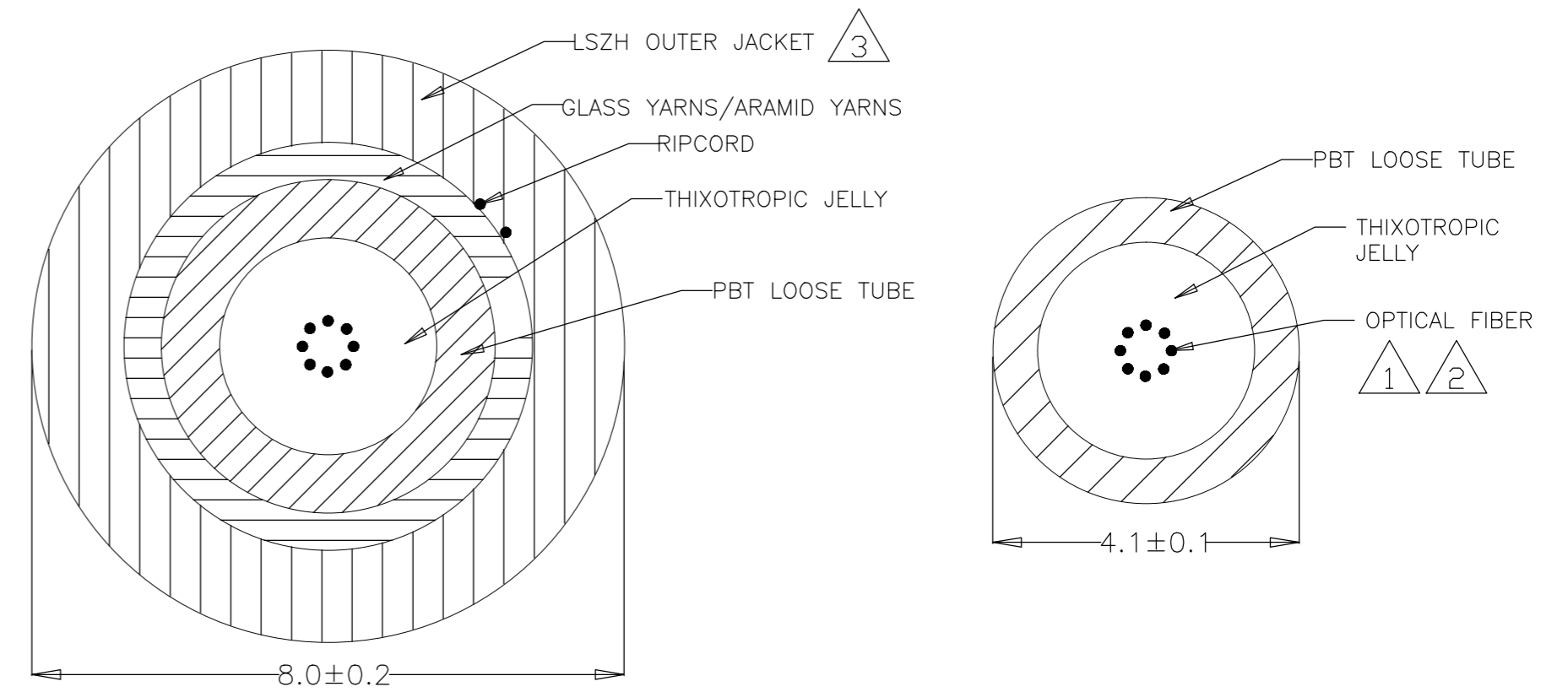


1 OPTICAL FIBER SPECIFICATIONS:

PART NUMBER	FIBER TYPE	CABLE TYPE	MAXIMUM	ATTENUATION db/km				OFL BANDWIDTH MHz-Km	
				850nm	1300nm	1310nm	1550nm	850nm	1300nm
X-1427438-1	62.5/125	OM1	MAXIMUM	3.5	1.5	N/A	N/A	200	600
X-1427438-2	50/125	OM2	MAXIMUM	3.5	1.5	N/A	N/A	500	500
X-1427438-3	50/125	OM3	MAXIMUM	3.5	1.5	N/A	N/A	1500	500
X-1427438-4	SM,G652D	OS2	MAXIMUM	N/A	NA	0.36	0.23	N/A	N/A
X-1427438-5	50/125	OM4	MAXIMUM	3.5	1.5	N/A	N/A	3500	500



2 OPTICAL FIBERS TO BE COLOR-CODED BLUE, ORANGE, GREEN, BROWN, GREY, WHITE, RED, BLACK PER TIA/EIA 598A.

3 CABLE OUTER JACKET:
A. OUTER JACKET MATERIAL TO BE LSZH.
B. JACKET COLOR TO BE BLACK.

4 RATINGS:
A. STORAGE TEMPERATURE: -40°C TO +70°C
B. OPERATING TEMPERATURE: -20°C TO +70°C
C. INSTALLATION TEMPERATURE: -10°C TO +60°C
D. MAXIMUM INSTALLATION TENSILE STRENGTH: 1800 N
E. MAXIMUM OPERATION TENSILE STRENGTH: 800 N
F. MINIMUM BEND RADIUS AT INSTALLATION: 20 TIMES CABLE DIAMETER
G. MINIMUM BEND RADIUS, UNLOADED: 10 TIMES CABLE DIAMETER
H. CRUSH RESISTANCE: 1000 N/10cm
I. CABLE WEIGHT: 73 KG/KM NOMINAL

5 MM/YY MONTH/YEAR - EXAMPLE: 06/16

6 XXXXX - SEQUENTIAL METER MARKING
TOLERANCE ON LENGTH MARKINGS: -0%/+10%

7 FIBER-CABLE TYPE-- "SM-OS2" FOR SINGLE MODE,
"50/125-OM2", "62.5/125-OM1", "50/125-OM3", "50/125-OM4" FOR MULTIMODE.

8 PRINT LEGEND ACCORDING 101-131550 METHOD A, LEGEND TO BE REPEATED EVERY METER IN INDENTED WHITE INK.

1 7 5 6
COMMSCOPE 8mm INDOOR/OUTDOOR OPTICAL CABLE X-1427438-Y 8F [Fiber type] LSZH [Batch code] MM/YY XXXX (M)

PART NUMBER LIST				
8-1427438-5	3-1427438-5	2-1427438-5	1-1427438-5	50/125-OM4
8-1427438-4	3-1427438-4	2-1427438-4	1-1427438-4	SM-OS2
8-1427438-3	3-1427438-3	2-1427438-3	1-1427438-3	50/125-OM3
8-1427438-2	3-1427438-2	2-1427438-2	1-1427438-2	50/125-OM2
8-1427438-1	3-1427438-1	2-1427438-1	1-1427438-1	62.5/125-OM1
CUT LENGTH	3000M	2000M	1000M	FIBER-CABLE TYPE

DWN		07SEP2010		MATERIAL		HEAT TREAT	
ENIAC XU		-		-		-	
CHK		-		COMMSCOPE, INC.			
APVD		07SEP2010					
RICKY CHEN		-		NAME			
-		-		CABLE, FIBER OPTIC, INDOOR/OUTDOOR, LOOSE TUBE, LSZH, 8 FIBERS			
SCALE		SIZE		DRAWING NO		SHEET	
-		A2		1427438		1 OF 1	
REV		D					

DIMENSIONS:		TOLERANCES UNLESS OTHERWISE SPECIFIED:	
mm		0 PLC ± -	
1 PLC ± -		2 PLC ± -	
3 PLC ± -		4 PLC ± -	
ANGLES ±		-	
SURFACE TEXTURE		√	

P	D	40031180MCO	6JUN16	M.D	T.V
LTR	REVISION RECORD	DATE	DWN	APVD	