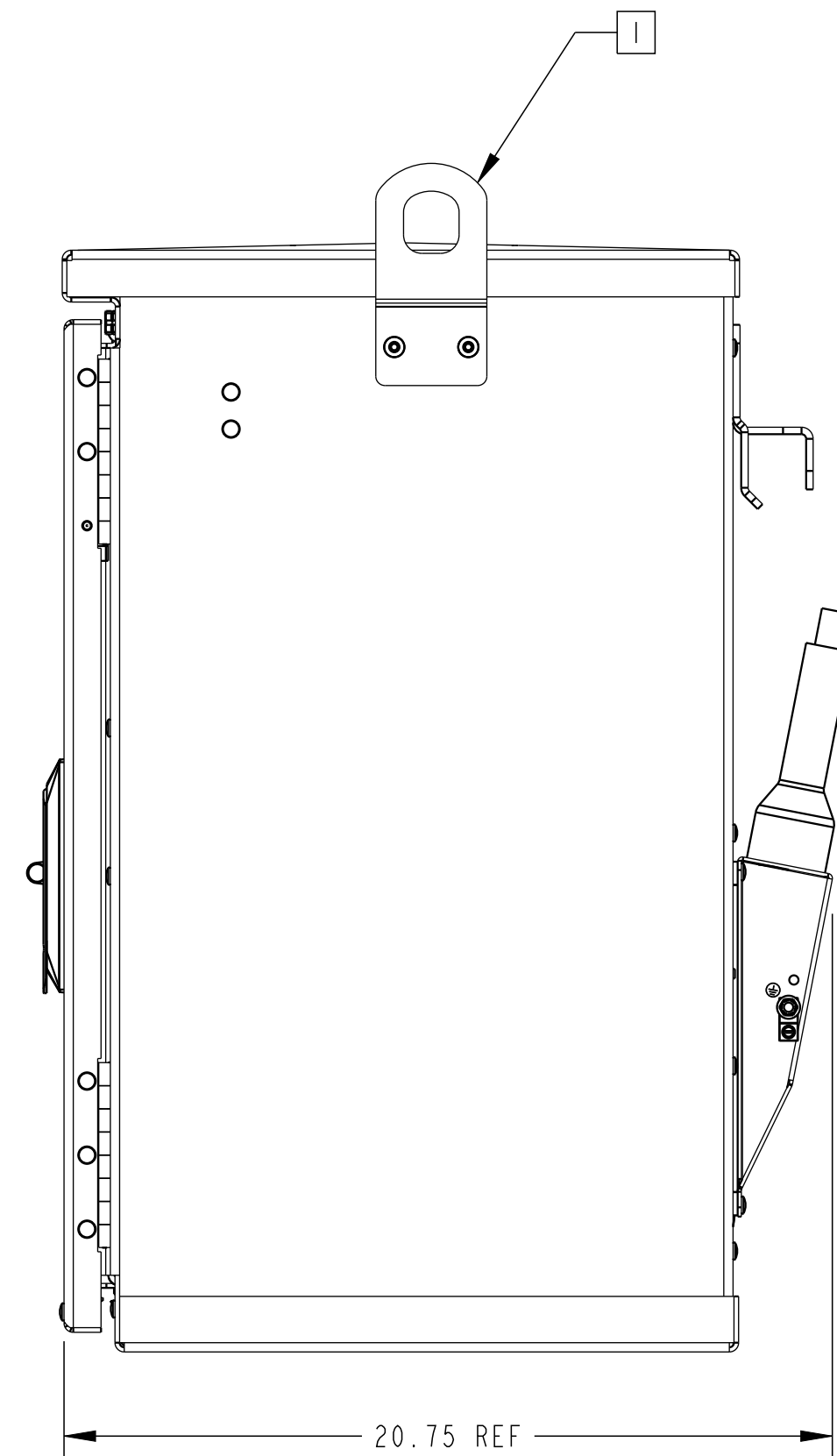
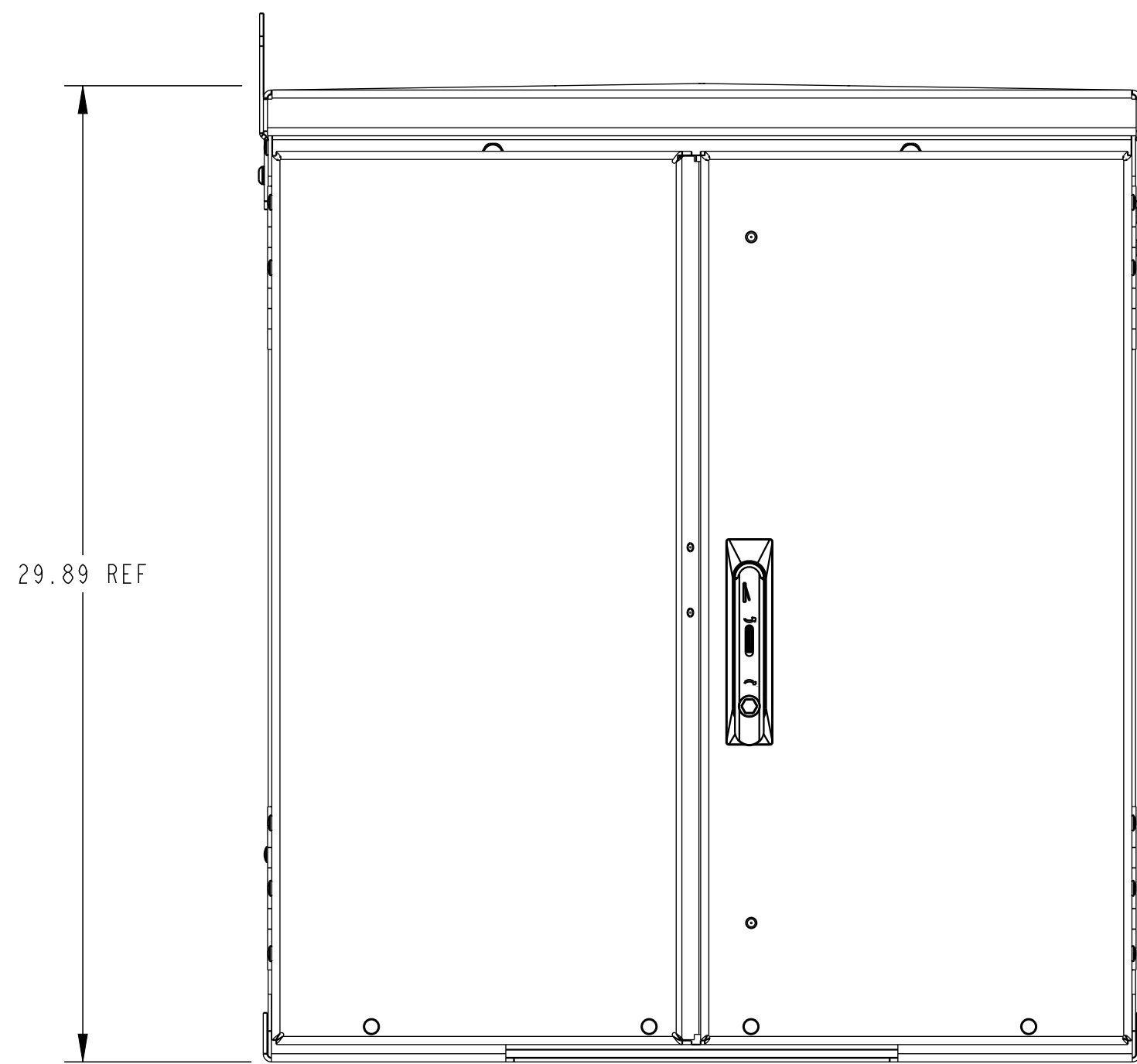
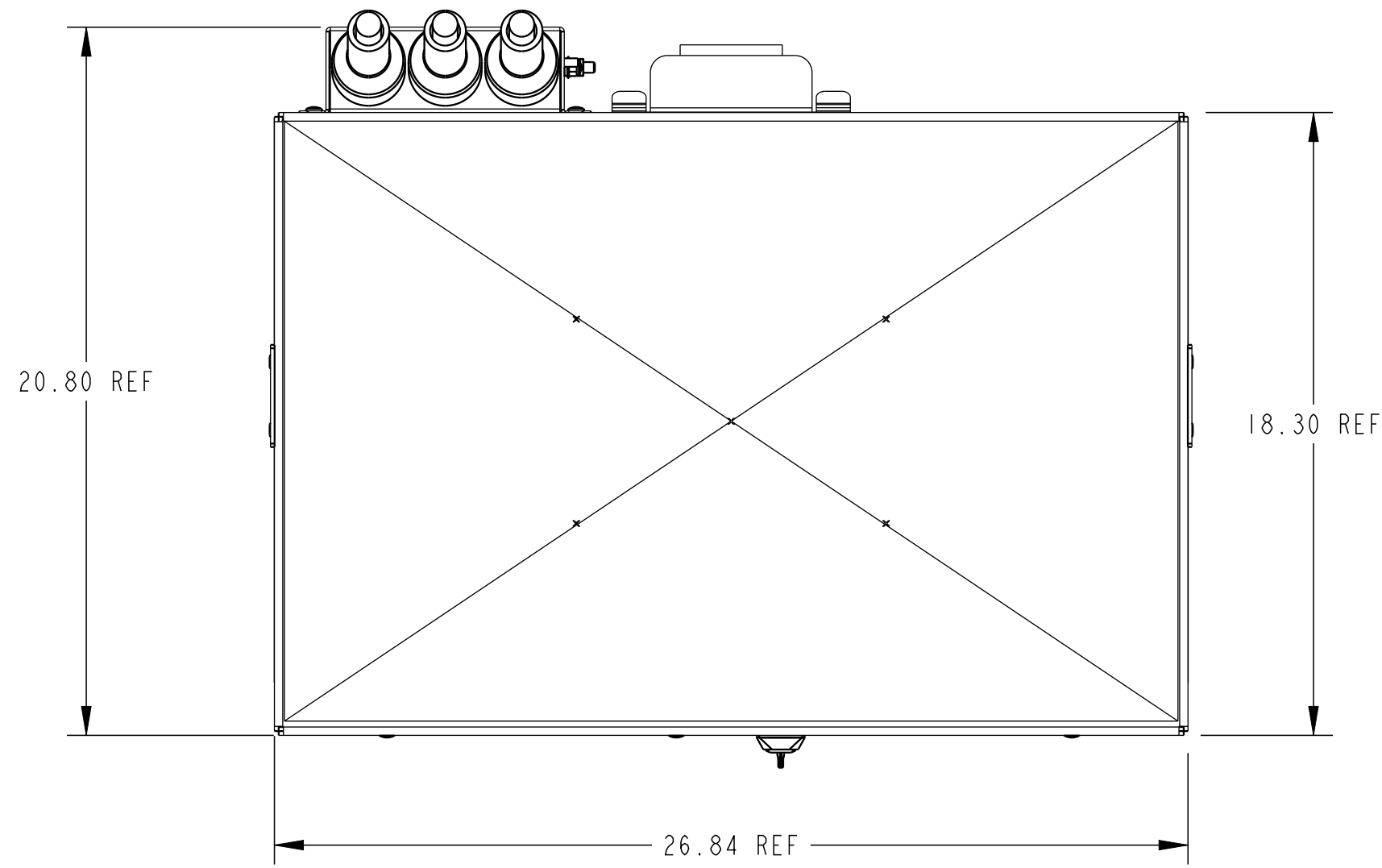


REV	MCO	DWN	DATE
G	40021343MCO	JST	29-APR-15
H	40032679MCO	I AV	04-AUG-16

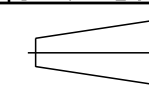
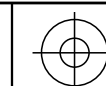


NOTES:

- 1 REMOVE THE LIFTING LUGS AND DISCARD THEM.
- 2 PADLOCK IS NOT PROVIDED.

COMMSCOPE, INC.

<small>© 2016 COMMSCOPE, INC. THIS DOCUMENT IS UNCLASSIFIED AND NOT FOR DISTRIBUTION OUTSIDE THE COMPANY. ALL RIGHTS RESERVED. THIS DRAWING IS THE PROPERTY OF COMMSCOPE, INC. AND MAY BE USED ONLY FOR THE SPECIFIC PURPOSE AND PROJECT AUTHORIZED BY COMMSCOPE, INC.</small>		TITLE INST DRW, 288 FDH3000 POLE MOUNT	
<small>ALL DIMS AND TOLERANCES ARE INCHES UNLESS OTHERWISE SPECIFIED</small>		C SIZE	DRAWING NUMBER 1426142_ADC
DO NOT SCALE DRAWING		ENGR: ARTURO MAYA DWN: LUCERO XACA	H REV SHT. 1 OF 5



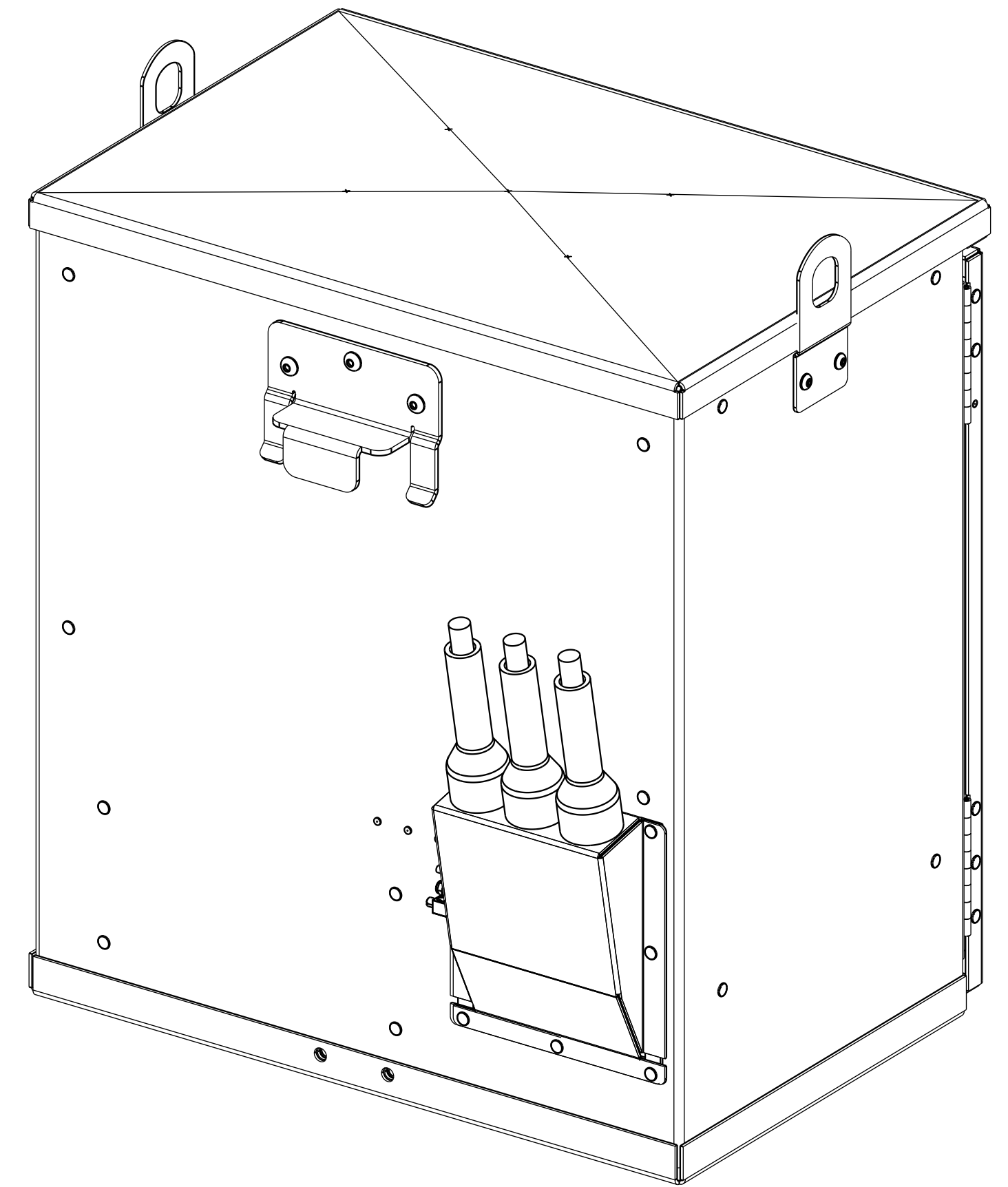
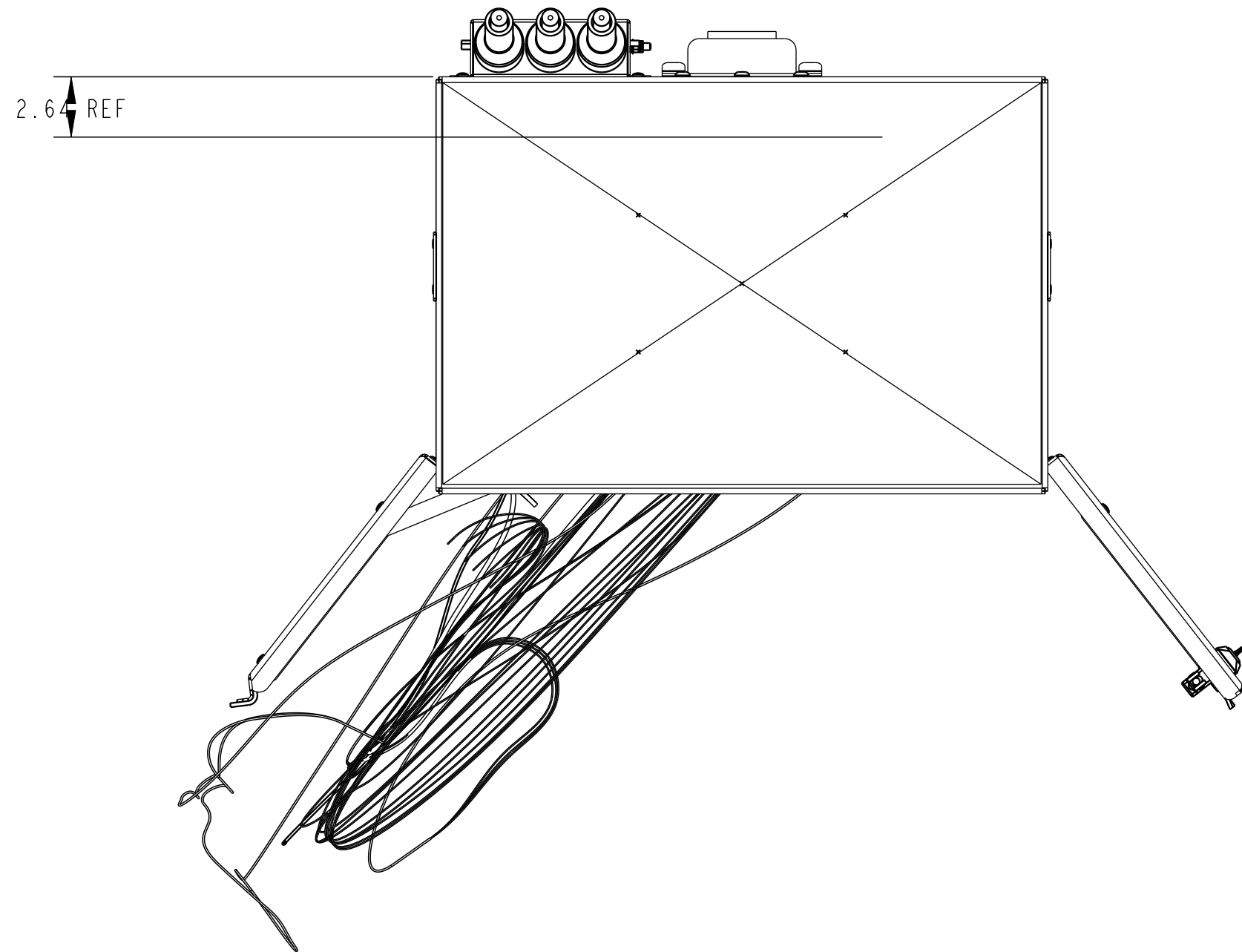
DIMENSIONS IN INCHES
THIRD ANGLE PROJECTION

A

B

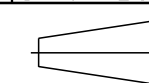
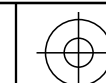
C

D



COMMSCOPE, INC.

<small>© 2016 COMMSCOPE, INC. CONFIDENTIAL NOTICE: THESE DRAWINGS AND SPECIFICATIONS ARE THE PROPRIETARY PROPERTY OF COMMSCOPE, INC. AND MAY BE USED ONLY FOR THE SPECIFIC PURPOSE AUTHORIZED IN WRITING BY COMMSCOPE, INC.</small>		TITLE INST DRW, 288 FDH3000 POLE MOUNT	
<small>ALL DIMS AND TOLERANCES ARE INCHES UNLESS OTHERWISE SPECIFIED</small>	<small>.XX:±N/A .XXX:±N/A ANGULAR:±N/A</small>	C SIZE	DRAWING NUMBER 1426142_ADC
DO NOT SCALE DRAWING	ENGR: ARTURO MAYA DWN: LUCERO XACA	SHT. 2 OF 5	



DIMENSIONS IN INCHES
THIRD ANGLE PROJECTION

A

B

C

D

SPLITTER COMPARTMENT

SPLITTER MODULE

PASS THROUGH CABLE

FEEDER STORAGE PANEL

PATCH PANEL

COMMSCOPE, INC.

© 2016 COMMSCOPE, INC. CONFIDENTIAL
NOTICE: THESE DRAWINGS AND SPECIFICATIONS
ARE THE PROPRIETARY PROPERTY OF
COMMSCOPE, INC. AND MAY BE USED ONLY FOR THE
SPECIFIC PURPOSE AUTHORIZED IN WRITING BY
COMMSCOPE, INC.

ALL DIMS AND TOLERANCES .XX:±N/A
ARE INCHES UNLESS .XXX:±N/A
OTHERWISE SPECIFIED ANGULAR:±N/A

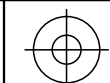
DO NOT SCALE DRAWING

ENGR: ARTURO MAYA
DWN: LUCERO XACA

TITLE INST DRW,
288 FDH3000 POLE MOUNT

DRAWING NUMBER 1426142_ADC

SHT. 3 OF 5



DIMENSIONS IN INCHES
THIRD ANGLE PROJECTION

A

B

C

1

2

3

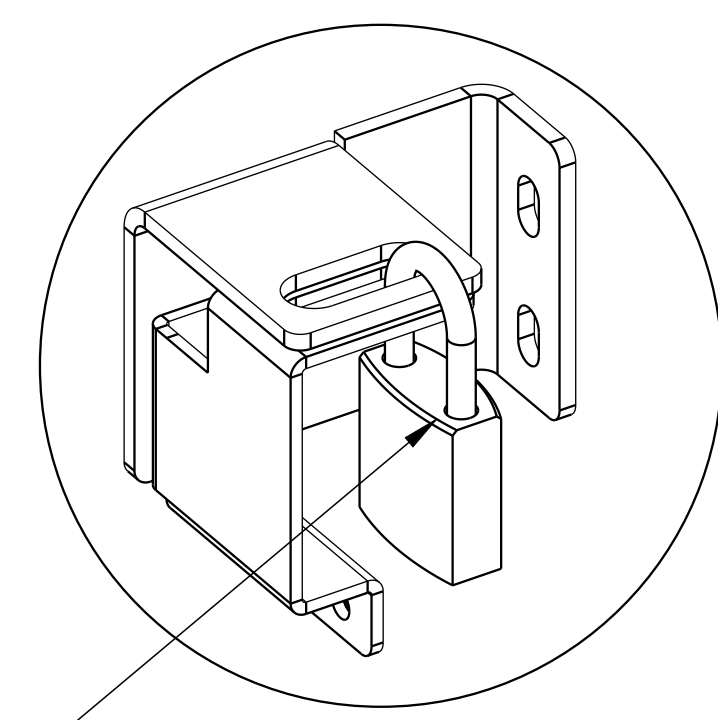
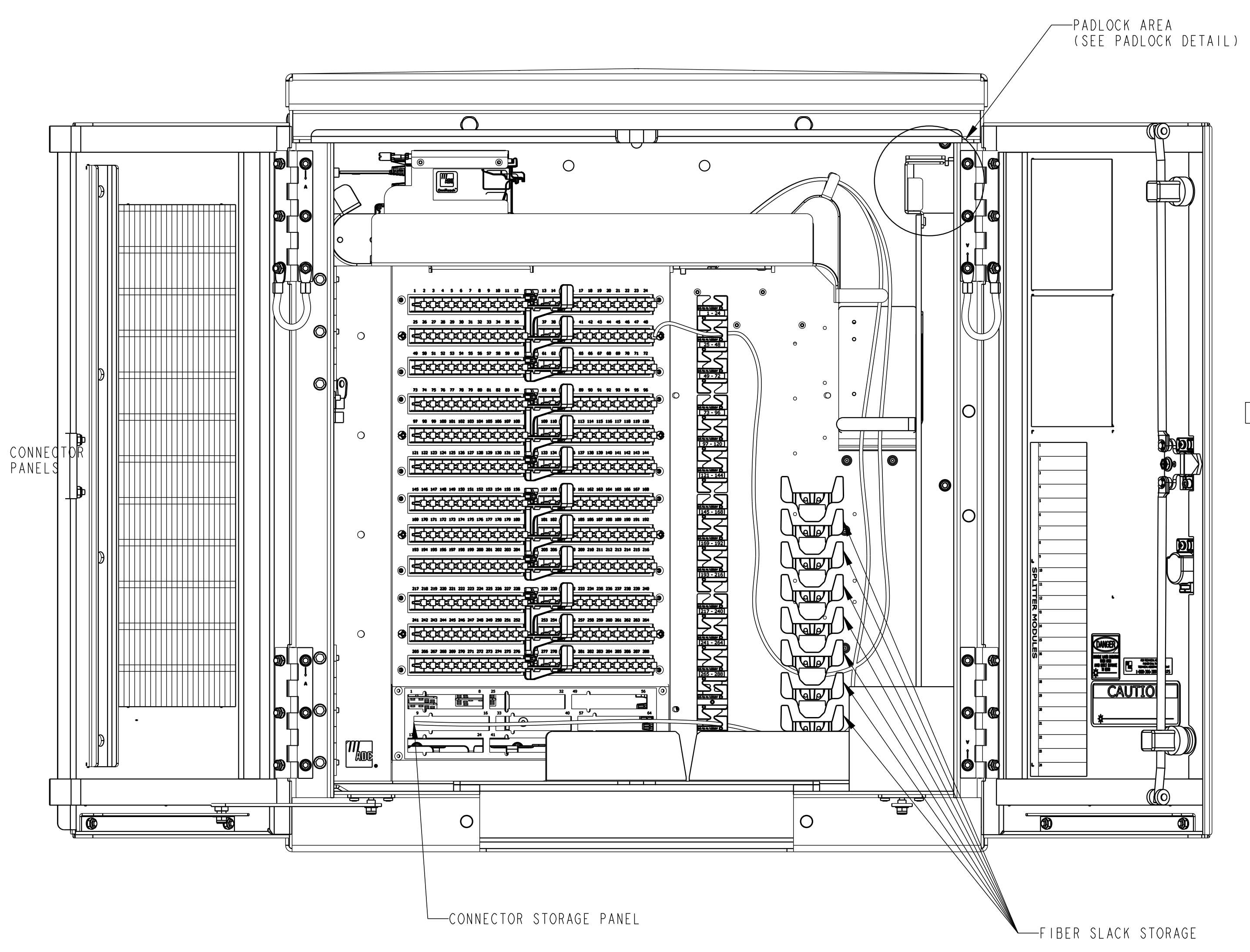
4

1

2

3

4



PADLOCK DETAIL

COMMSCOPE, INC.

© 2016 COMMSCOPE, INC. CONFIDENTIAL
 NOTICE: THESE DRAWINGS AND SPECIFICATIONS
 ARE THE PROPRIETARY PROPERTY OF
 COMMSCOPE, INC. AND MAY BE USED ONLY FOR THE
 SPECIFIC PURPOSE AUTHORIZED IN WRITING BY
 COMMSCOPE, INC.

ALL DIMS AND TOLERANCES .XX:±N/A
 ARE INCHES UNLESS .XXX:±N/A
 OTHERWISE SPECIFIED ANGULAR:±N/A

DO NOT SCALE DRAWING

TITLE		INST DRW, 288 FDH3000 POLE MOUNT	
C SIZE	DRAWING NUMBER	H REV	
	1426142_ADC		
ENGR: ARTURO MAYA		SHT. 4 OF 5	
DWN: LUCERO XACA			

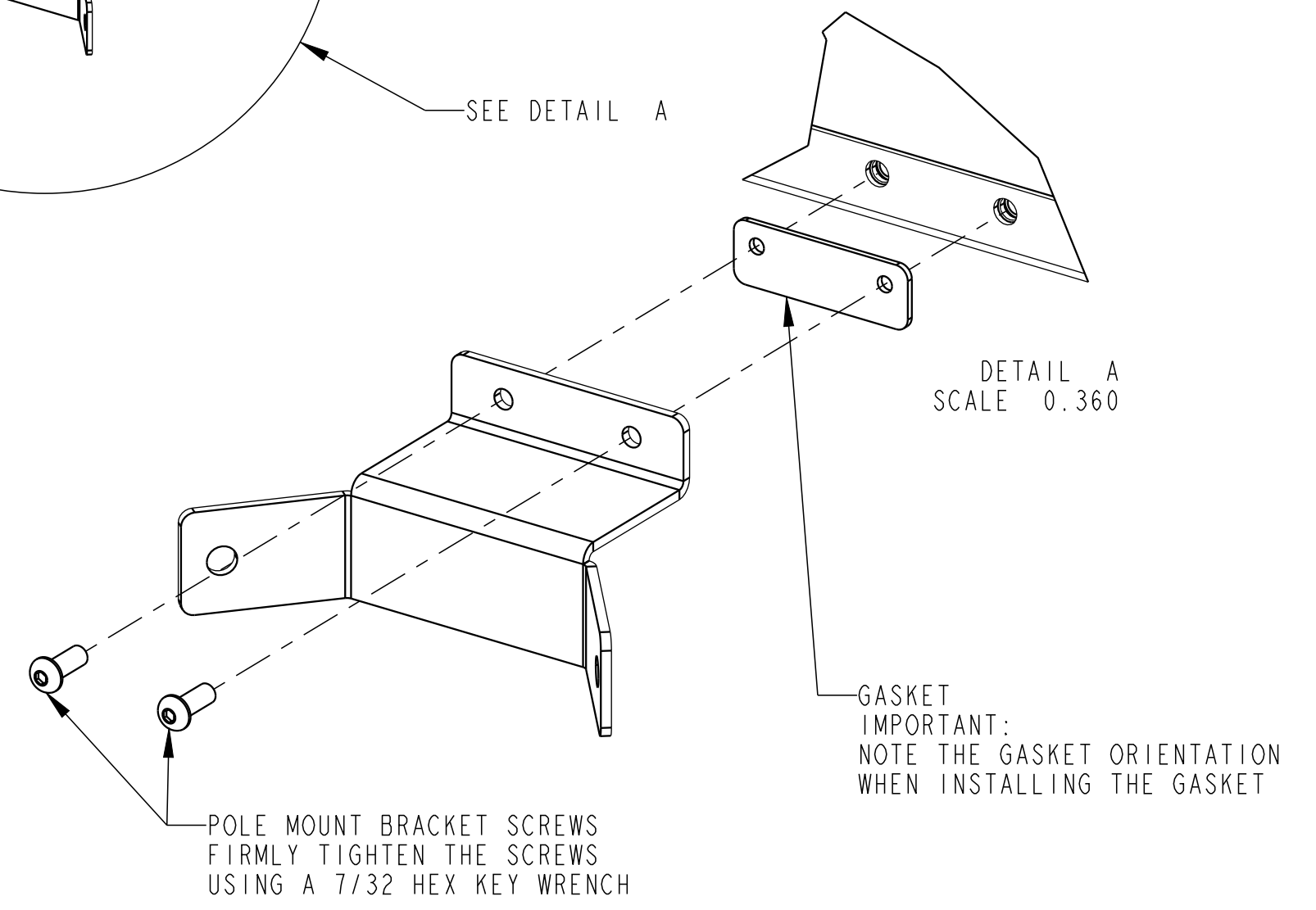
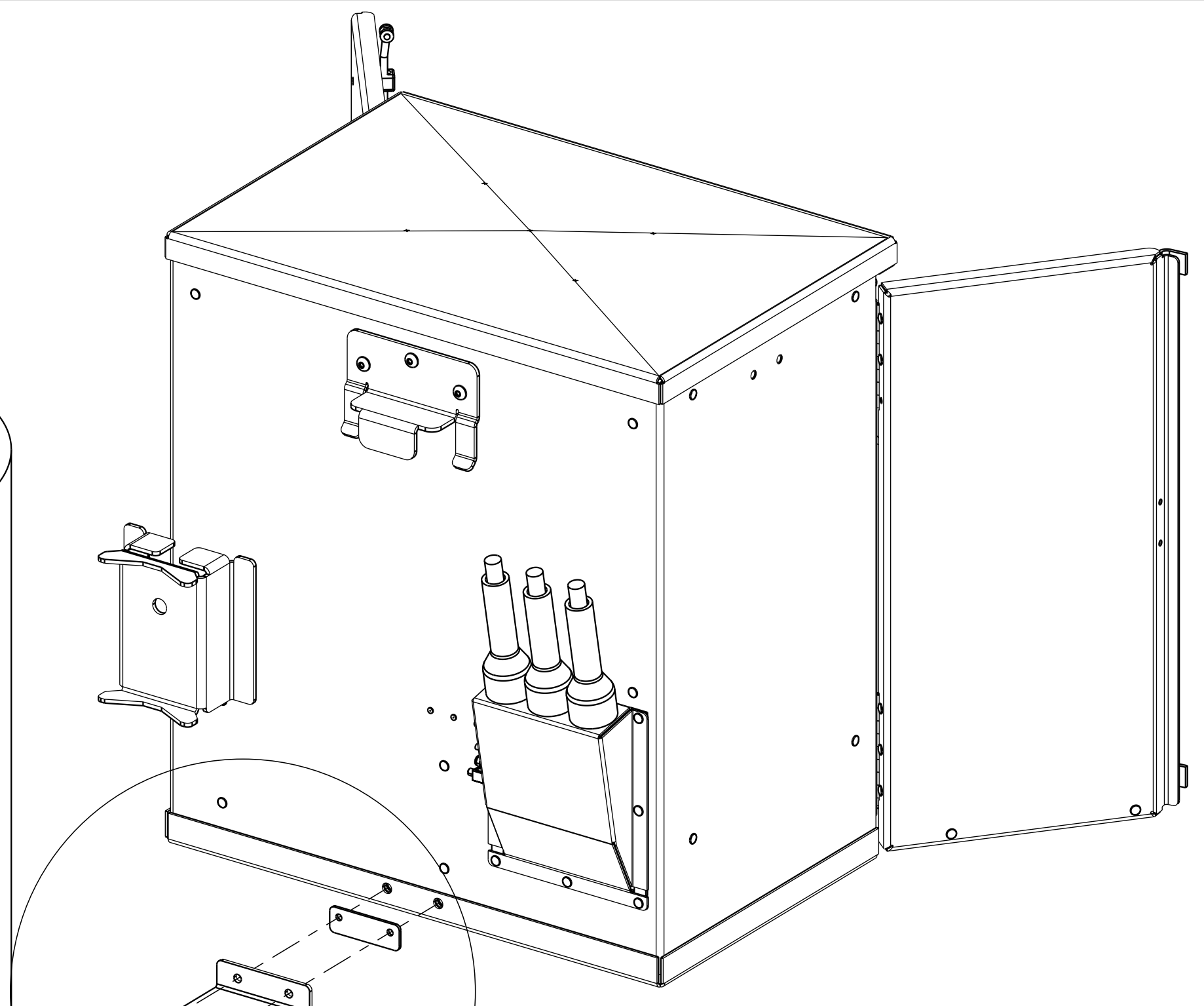
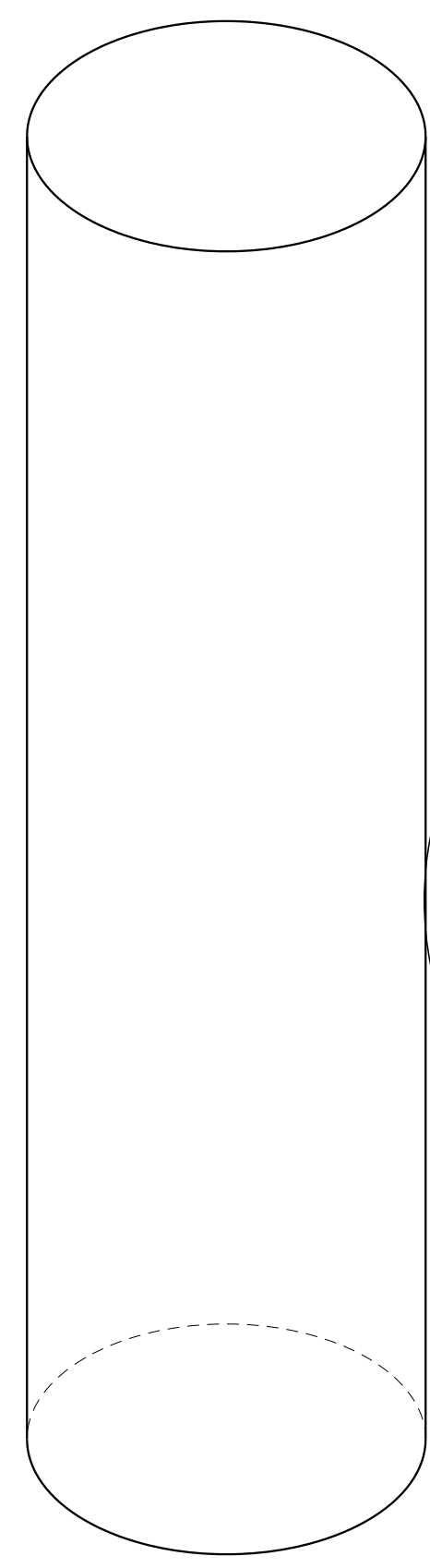
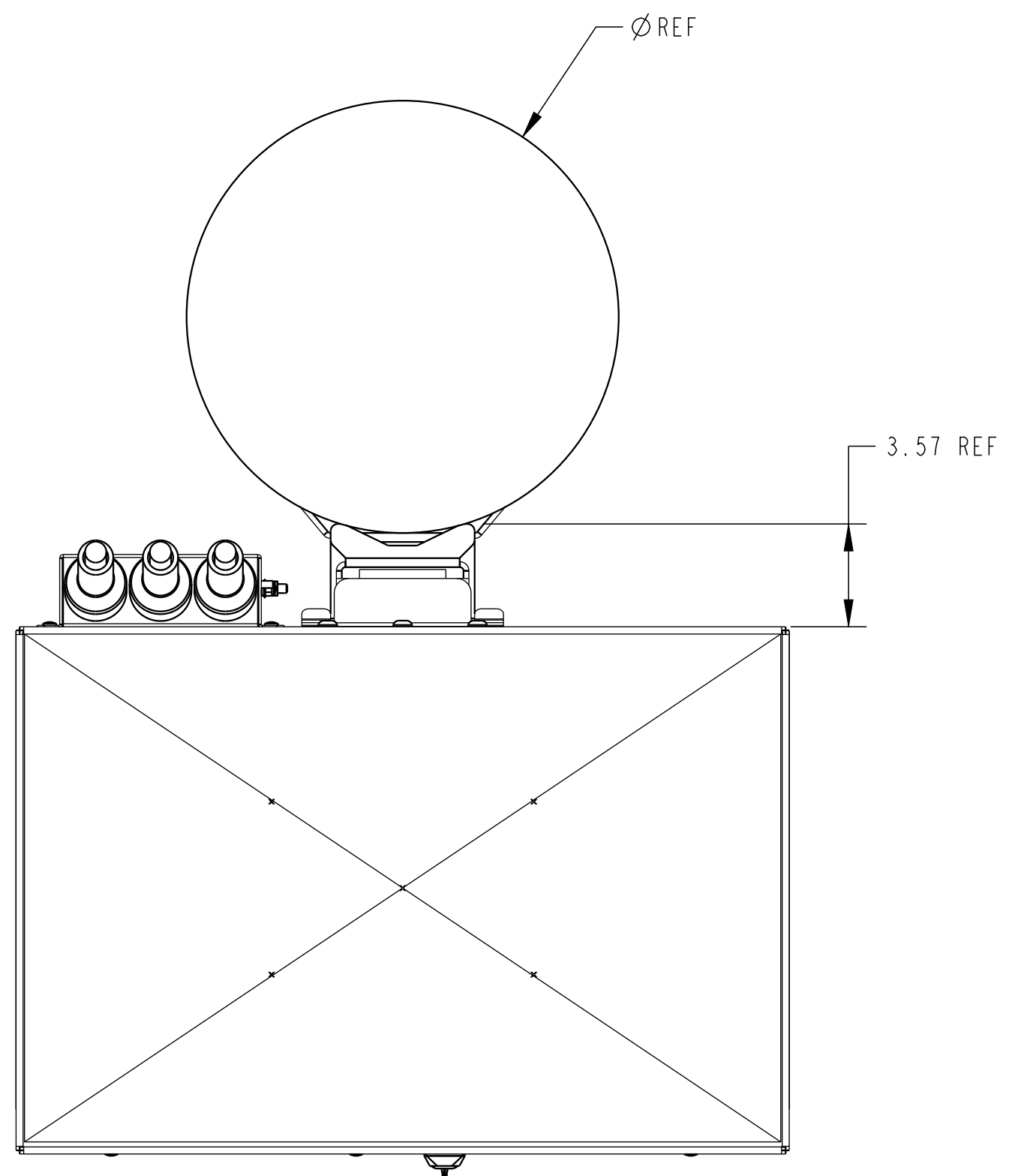
DIMENSIONS IN INCHES
 THIRD ANGLE PROJECTION

A

B

C

D



COMMSCOPE, INC.

© 2016 COMMSCOPE, INC. CONFIDENTIAL
 NOTICE: THESE DRAWINGS AND SPECIFICATIONS
 ARE THE PROPRIETARY PROPERTY OF
 COMMSCOPE, INC. AND MAY BE USED ONLY FOR THE
 SPECIFIC PURPOSE AUTHORIZED IN WRITING BY
 COMMSCOPE, INC.

ALL DIMS AND TOLERANCES .XX:±N/A
 ARE INCHES UNLESS .XXX:±N/A
 OTHERWISE SPECIFIED ANGULAR:±N/A

DO NOT SCALE DRAWING

ENGR: ARTURO MAYA
 DWN: LUCERO XACA

TITLE INST DRW,
 288 FDH3000 POLE MOUNT

DRAWING NUMBER 1426142_ADC

SHT. 5 OF 5



**DIMENSIONS IN INCHES
 THIRD ANGLE PROJECTION**