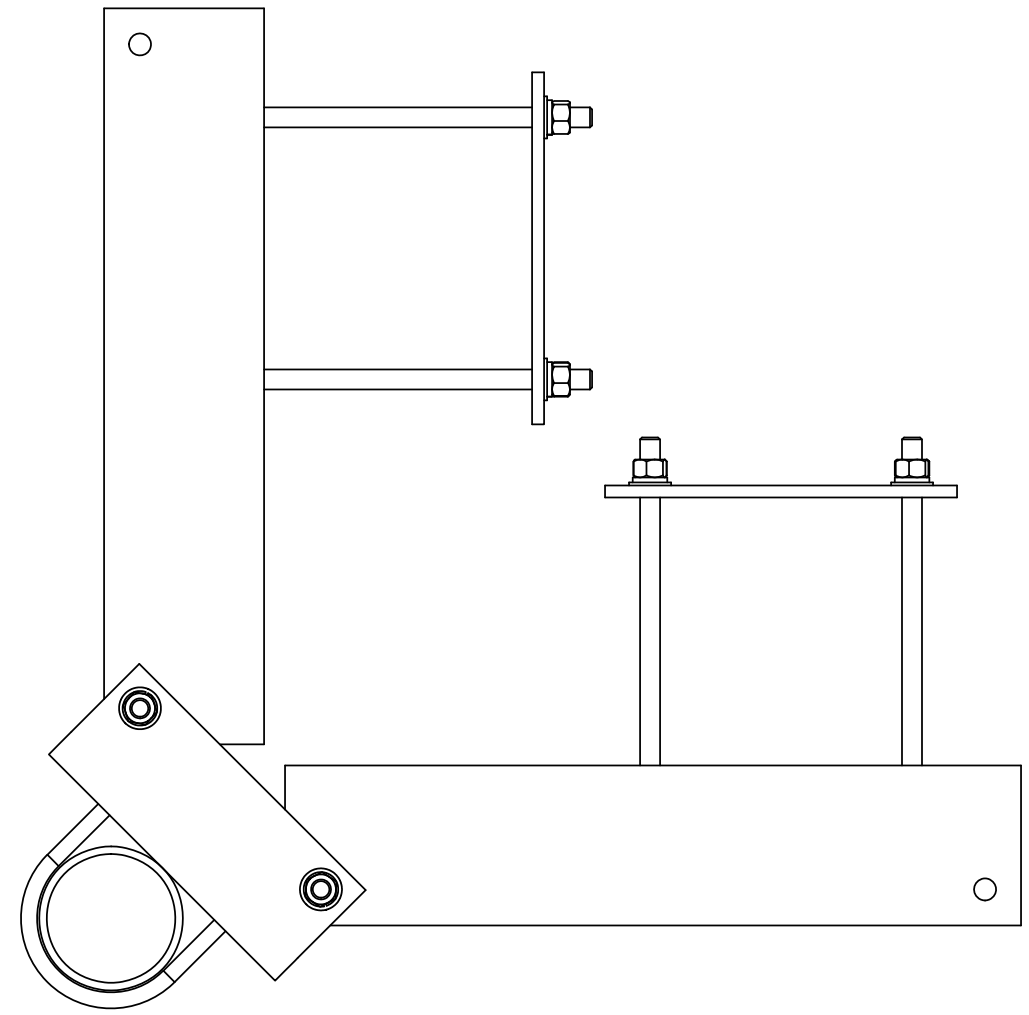
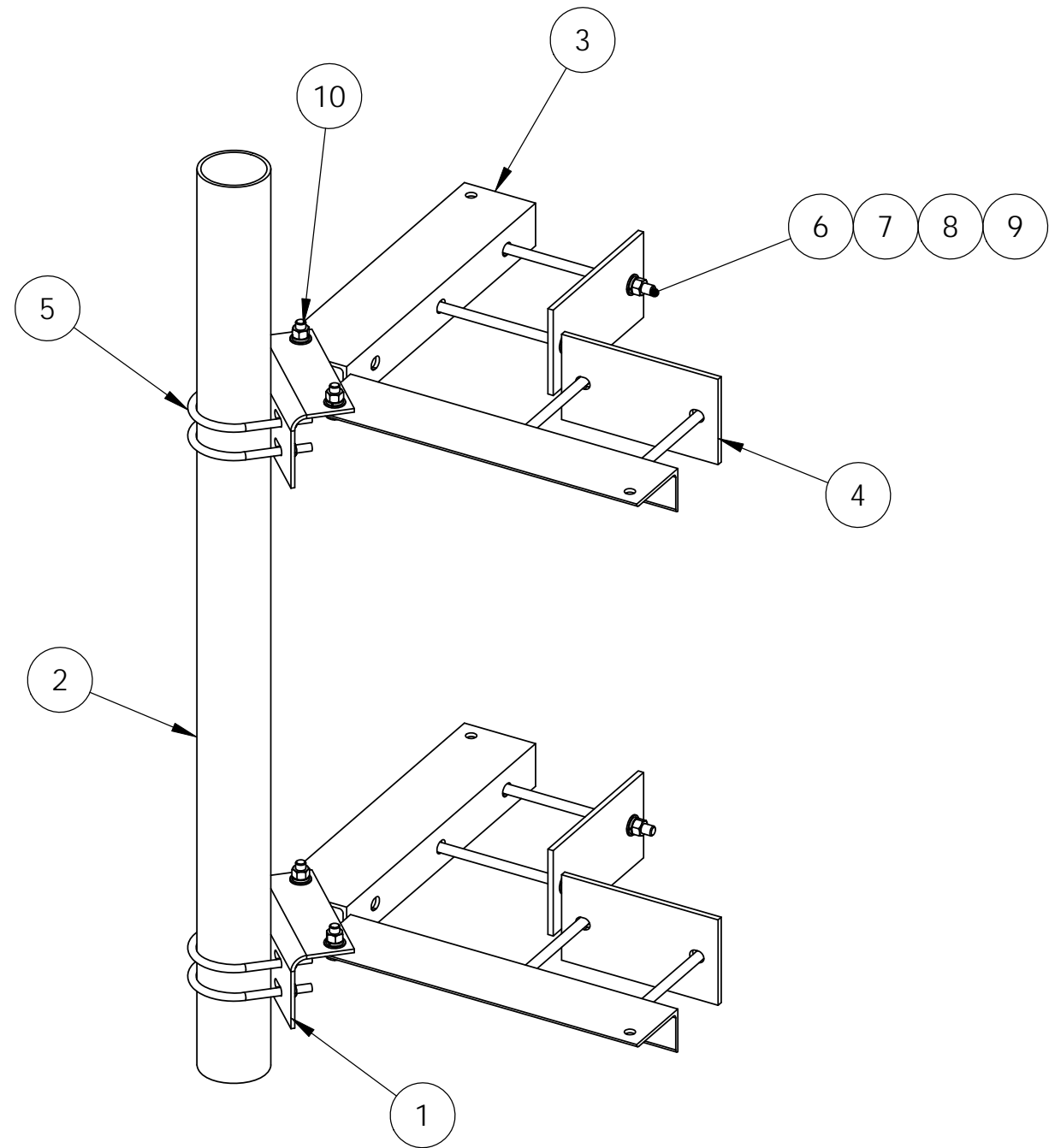



ITEM	PART NO.	DESCRIPTION	QTY.	WEIGHT
1	CWM.01	L-BRACKET	2	5.60 LBS
2	MT-653-63	Plain End Pipe(SEE TABLE)	1	-
3	MTF91151.01	CORNER MOUNT ANGLE	4	12.28 LBS
4	MTF91151.02	CORNER MOUNT BACKING PLATE	4	6.83 LBS
5	GUB-4456	1/2" X 4-5/8" X 6-1/2" GALV U-BOLT	4	1.30 LBS
6	MT-381	5/8" X 12" THREADED ROD	8	1.04 LBS
7	GWF-05	5/8" GALV FLAT WASHER	20	0.04 LBS
8	GWL-05	5/8" GALV LOCK WASHER	16	0.03 LBS
9	GN-05	5/8" GALV HEX NUT	16	0.04 LBS
10	GB-0516A	5/8" X 1-3/4" GALV BOLT KIT (A325)	4	0.24 LBS

REVISIONS				
REV.	ZONE	DESCRIPTION	BY	DATE
A		INITIAL RELEASE	AW	12/20/04
B		UPDATE PART LIST	ACG	08/15/06
C		UPDATE SERIES TABLE	MSM	11/09/09
D		UPDATE BOM	MSM	07/13/10

PART NO.	WEIGHT	PIPE	HARDWARE KIT	U-BOLT
CW-M4-63	163	MT-653-63	CWM4H	GUB-4456
CW-M4-96	194	MT-654-96	CWM4H	GUB-4456
CW-M3-60	141.1	MT54760	CWM3H	GUB-4355
CW-M3-96	163.9	MT54796	CWM3H	GUB-4355
CW-M2-63	122.5	MT-650-63	CWM2H	GUB-4240
CW-M2-96	137	MT-651-96	CWM2H	GUB-4240



<small>These drawings and specifications are the proprietary property of ANDREW CORPORATION and may be used only for the specific purpose authorized in writing by Andrew Corporation.</small> ALL DIMENSIONS ARE IN INCHES U.O.S. TOLERANCES UNLESS OTHERWISE SPECIFIED: .X = .12 ANGLES 2' .XX = .06 FRACTIONS 1/32 .XXX = .03 REMOVE BURRS AND BREAK EDGES .005 DO NOT SCALE THIS PRINT	DRAWN BY: AW	SHEET: 1 of 1	PART NUMBER: CW-M SERIES
	CHECKED BY: TP	SCALE: NTS	DESCRIPTION: CORNER WALL MOUNT
	DATE: 12/20/04	MATERIAL: A36	DRAWING TYPE: ASSEMBLY DRAWING
	REVISION: D	FINISH: GALV A123	 ANDREW ®
	WEIGHT: SEE TABLE	ORLAND PARK, IL. 60462 U.S.A.	