

Installation Instructions

Hybrid Combiners CHB726-01 and CHB726-01-2X

Please read this manual carefully before starting the mounting.

1 General

This instruction bulletin provides information on how to properly install the Hybrid combiners CHB726-01 and CHB726-01-2X. The mounting of combiner must be conducted by certified and experienced personal and be conformed to the local safety regulations.

2 Necessary parts and tools:

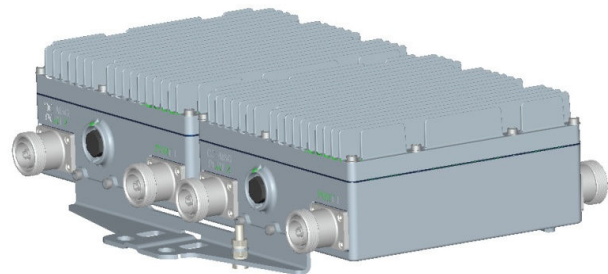
- Included on the Box:

Item #	Qty	Description
1	1	Hybrid Combiner with mounting bracket attached.
2	2	Band Clamp

A. Combiner



CHB726-01



CHB726-01-2X

B. Band Clamp



- Mounting tools (NOT included)
 - Hexagonal socket wrench.
 - Inner hexagon wrench (5m).

COMMSCOPE®

www.commscope.com

Visit our Web site or contact your local CommScope representative for more information.

© 2013 CommScope, Inc. All rights reserved.
 All trademarks identified by ® or ™ are registered trademarks or trademarks, respectively, of CommScope, Inc.
 This document is for planning purposes only and is not intended to modify or supplement any specifications or warranties relating to CommScope products or services.

Page 1/3

02/13 Rev1

Installation Instructions

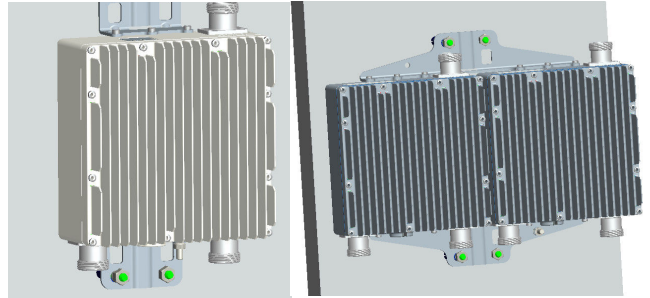
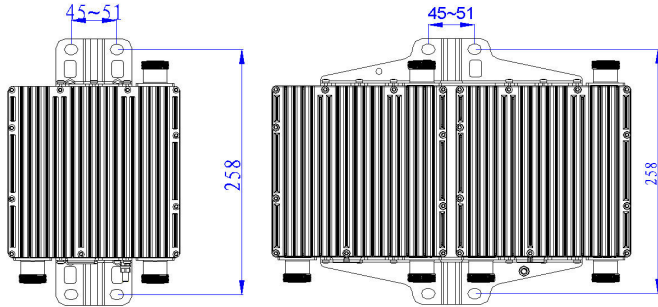
Hybrid Combiners CHB726-01 and CHB726-01-2X

3 Mounting

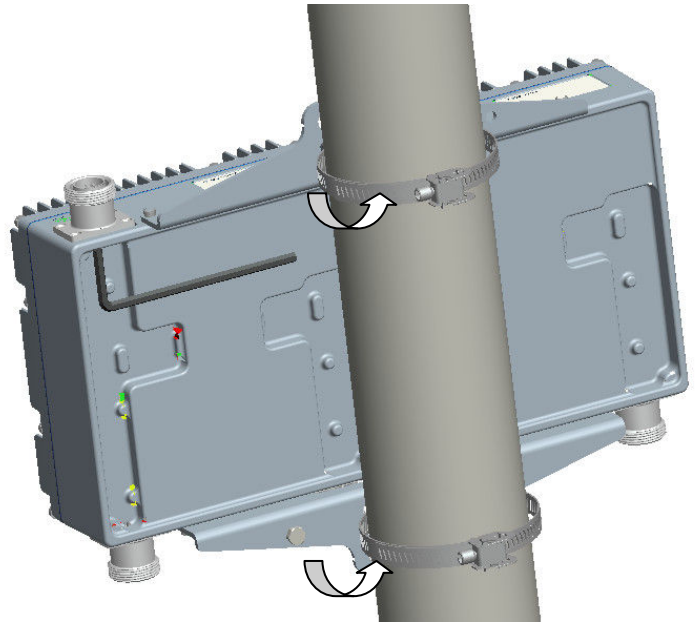
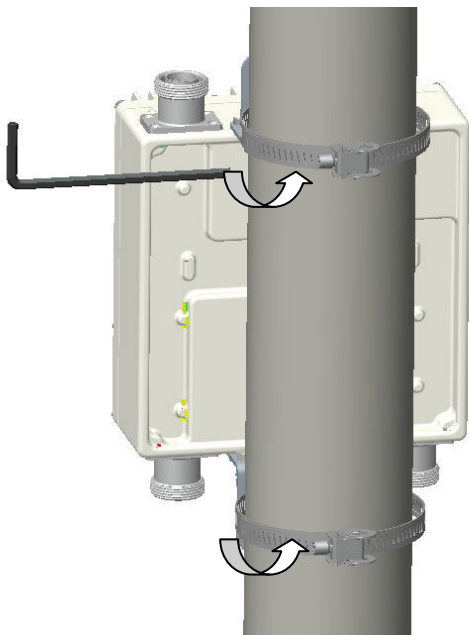
Mounting on a Wall

Use the Combiner footprint as a drill template, to mark hole positions.

Fasten the Combiner with four screws.



Mounting on a Pole



COMMScope[®]

www.commscope.com

Visit our Web site or contact your local CommScope representative for more information.

© 2013 CommScope, Inc. All rights reserved.
All trademarks identified by ® or ™ are registered trademarks or trademarks, respectively, of CommScope, Inc.
This document is for planning purposes only and is not intended to modify or supplement any specifications or warranties relating to CommScope products or services.

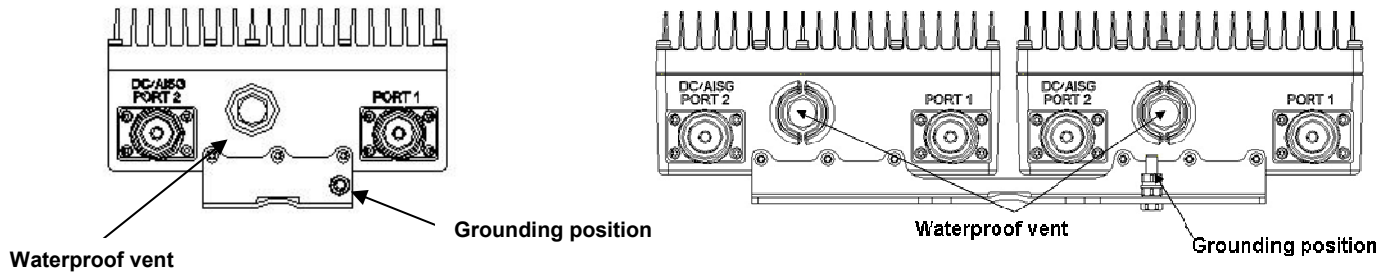
Page 2/3

02/13 Rev1

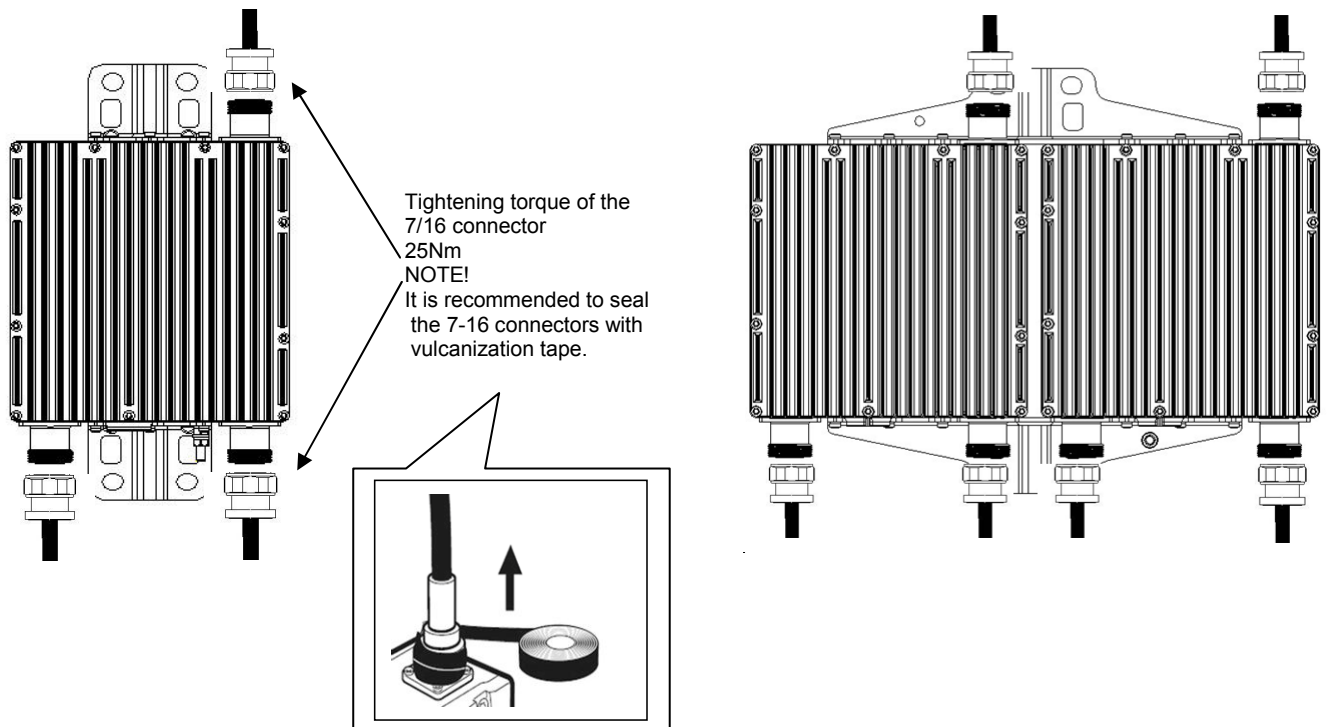
Installation Instructions

Hybrid Combiners CHB726-01 and CHB726-01-2X

Connecting RF Cable and Sealing Connector



Note: Do not cover the waterproof vent



4 Maintenance

Please prevent the Combiner from scratch or collision when mounting or moving. No special maintenance needed except in extreme weather conditions or disasters.

COMMSCOPE®

www.commscope.com

Visit our Web site or contact your local CommScope representative for more information.

Page 3/3

02/13 Rev1

© 2013 CommScope, Inc. All rights reserved
All trademarks identified by ® or ™ are registered trademarks or trademarks, respectively, of CommScope, Inc.
This document is for planning purposes only and is not intended to modify or supplement any specifications or warranties relating to CommScope products or services.