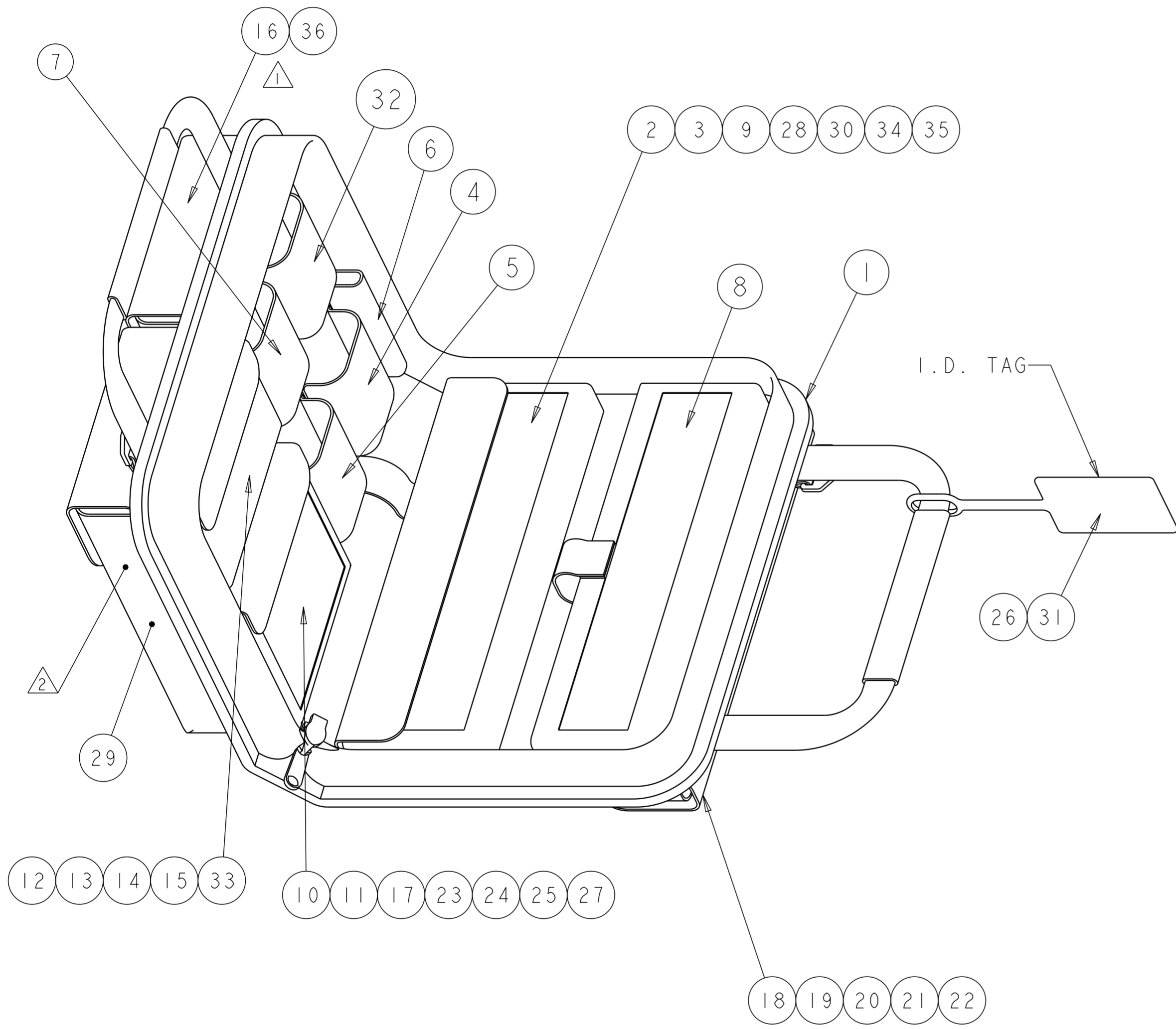


THIS DRAWING IS UNPUBLISHED. RELEASED FOR PUBLICATION
 © 2016 COMMSCOPE, INC. CONFIDENTIAL NOTICE: THESE DRAWINGS AND SPECIFICATIONS ARE THE PROPRIETARY PROPERTY OF COMMSCOPE, INC. AND MAY BE USED ONLY FOR THE SPECIFIC PURPOSE AUTHORIZED IN WRITING BY COMMSCOPE, INC.

LOC	DIST	REVISIONS					
CE	00	P	LTR	DESCRIPTION	DATE	DWN	APVD
		NI		MINOR REVISION	11MAY2011	DLF	SB
		P		8000023024	24MAY2017	ERR	JFM

SUPERCEDED BY:
1278949-2

- 1. MANUFACTURERS' INSTRUCTION SHEETS.
- 2. SHOULDER STRAP.
- 3. INSTRUCTION SHEETS 408-4020, 408-8925, 408-10103, 408-4066, 408-4457, 408-4471, 408-4555, AND 408-9860 EXPLAIN THE LightCrimp Plus LC TERMINATION TECHNIQUE AND ARE AVAILABLE FOR DOWNLOAD AT <http://www.commscope.com/SupportCenter/TechnicalSupport.aspx>



QTY	LOC	DIST	DESCRIPTION	PART NUMBER	ITEM
1	1	-	FIBER OPTICS CLEANING & INSPECTION GUIDE	2064710-1	36
1	-	-	MICROSCOPE ADAPTER, 1.25mm	1754765-1	35
1	-	-	MICROSCOPE ADAPTER, MT-RJ	1754768-1	34
1	1	-	CABLE CLAMP	1278625-1	33
1	1	-	SLITTER TOOL, 2mm & 3mm	1553661-1	32
1	-	-	LABEL, TERMINATION KIT	1374410-2	31
1	-	-	200x MICROSCOPE KIT	1754767-1	30
1	1	-	FIBER CLEAVER, SLIDE CUTTER	1871696-1	29
1	1	-	DIESET, LightCrimp Plus/SC	492783-1	28
1	1	1	BALL END HEX KEY (5)	1457999-1	27
-	1	1	LABEL, TERMINATION KIT	1374410-1	26
5	5	5	BUSHING, POLISHING, LightCrimp/AMP SC	502631-1	25
1	1	1	BUSHING, POLISHING, ST	503304-2	24
1	1	1	BUSHING, POLISHING, ST	503304-1	23
10	10	1	POLISHING FILM, 5um	228433-8	22
10	10	1	POLISHING FILM, 0.3um	228433-5	21
1	1	1	PAD, POLSHING, CIRCULAR	501523-1	20
1	1	1	PAD, POLISHING, RECTANGULAR	504584-1	19
1	1	1	PLATE, POLISHING, 8.5x11 INCHES	501197-1	18
2	2	2	ACTUATION KEY, 39mm MT-RJ JACK	1278576-1	17
1	1	1	CD ROM, TERMINATION TRAINING	1374503-1	16
14	14	15	ALCOHOL WIPES	501857-2	15
1	1	1	TEMPLATE, CABLE PREP, MT-RJ JACK MODULE	1278598-1	14
1	1	1	TEMPLATE, CABLE PREP, LightCrimp/AMP SC	503694-1	13
1	1	1	TEMPLATE, CABLE PREP, LightCrimp/ST	503574-1	12
1	1	1	CABLE HOLDER, LightCrimp Plus/LC/SC	2064540-1	11
1	1	1	CABLE HOLDER, LightCrimp Plus/ST	492703-1	10
1	1	1	DIESET, LightCrimp Plus/ST	492622-1	9
1	1	1	HANDTOOL, LightCrimp Plus/LC/SC/SPLICE	2064603-1	8
1	1	1	MICRO-STRIP TOOL, MT-RJ (.008IN)	492109-2	7
2	2	2	OPEN END WRENCH, 1/4IN	1278422-1	6
1	1	1	KEVLAR SHEARS	1278637-1	5
1	1	1	FIBER STRIP TOOL, COMBINATION	1754708-1	4
1	1	1	CLEAVE TOOL, UNIVERSAL	503705-1	3
-	-	1	CLEAVE TOOL, S-315	492674-1	2
1	1	1	PREMIUM SOFTCASE	1278540-1	1
-3	-2	-1	DESCRIPTION	PART NUMBER	ITEM

THIS DRAWING IS A CONTROLLED DOCUMENT.

DIMENSIONS: INCHES	TOLERANCES UNLESS OTHERWISE SPECIFIED:	DWN T. GREEN 07SEP99	COMMSCOPE, INC.
	0 PLC ±	CHK J. SABO 07SEP99	
	1 PLC ±0.1	APVD J. SABO 07SEP99	
	2 PLC ±0.02	PRODUCT SPEC	
3 PLC ±0.005	APPLICATION SPEC	NAME TERMINATION KIT, LightCrimp, LightCrimp Plus, AND MT-RJ JACK	
4 PLC ±0.0005	FINISH	SIZE A2	CAGE CODE 00779
MATERIAL		DRAWING NO C-1278949	RESTRICTED TO
		WEIGHT	SCALE 1:2
		CUSTOMER DRAWING	SHEET 1 OF 1
			REV P