

Installation Instructions

MT-ELEMENTS

Description

Filter Element Replacement Kit for MT050C and MT500D

Notice

The installation, maintenance or removal of dehydrator systems requires qualified, experienced personnel. Andrew installation instructions have been written for such personnel. Dehydrator systems should be inspected once a year by qualified personnel to verify proper installation, maintenance, and condition of equipment.

Andrew disclaims any liability or responsibility for the results of improper or unsafe installation practices.



Table 1. Parts List

Item	Description	Qty
1	COMPRESSOR INTAKE FILTER	2
2	1.0 MICRON ELEMENT (WHITE)	1
3	0.01 MICRON ELEMENT (BLACK)	1
4	INSTALLATION INSTRUCTION	1
5		
6		



Main Hazards – Health Effects

Eyes: May cause irritation.

Inhalation: Viscous nature may block breathing passages if inhaled.

Ingestion: May cause diarrhoea.

Skin: For hypersensitive persons, may irritate the skin after long periods of contact.

Respiratory Protection: None needed.

Hand Protection: Protective gloves for hypersensitive persons.

Eye Protection: Glasses, if applied to parts in motion.

Body Protection: Overalls.

Tools Required

Phillips Screwdriver

Andrew Solutions

Customer Service 24 hours

U.S.A., Canada, Mexico: 1-800-255-1479

or 1-888-235-5732

U.K.: 0800 250055

Other Europe: +44 592 782 612

www.commscope.com/andrew

Visit our Web site at www.commscope.com/andrew or contact your local Andrew Solutions representative for more information.

© 2008 CommScope, Inc. All rights reserved.

Andrew Solutions is a trademark of CommScope. All trademarks identified by ® or ™ are registered trademarks or trademarks, respectively, of CommScope. This document is for planning purposes only and is not intended to modify or supplement any specifications or warranties relating to Andrew Solutions products or services.

Notice: Andrew disclaims any liability or responsibility for the results of improper or unsafe installation, inspection, maintenance, or removal practices.

Aviso: Andrews no acepta ninguna obligación ni responsabilidad como resultado de practicas incorrectas o peligrosas de instalacion, inspección, mantenimiento o retire.

Avis : Andrew decline toute responsabilite pour les consequences de procedures d'installation, d'inspection, d'entretien ou de retrait incorrectes ou dangereuses.

Hinweis: Andrew lehnt jede Haftung Oder Verantwortung für Schaden ab, die aufgrund unsachgemaBer Installation, Überprüfung, Wartung Oder Demontage auftreten.

Atencao: A Andrew abdica do direito de toda responsabilidade pelos resultados de praticas inadequadas e sem seguranca de instalacao, inspecao, manutengao ou remocao.

Awertenza: Andrew declina eventual! responsabilita dervanti dell'esecuzione di procedure di installazione, ispezione, manutenzione e smontaggio improprie o poco sicure.

注意：Andrew 公司申明對於不恰當或不安全的安裝、檢驗、維修或拆卸操作所導致的後果不負任何義務和責任



Installation Instructions

MT-ELEMENTS

page 2 of 2

Version 00 Status RE Rev A
Model Version 03 Status RE Rev A

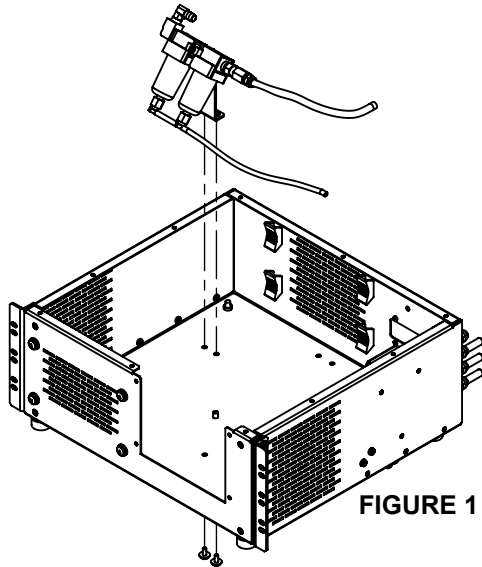


FIGURE 1

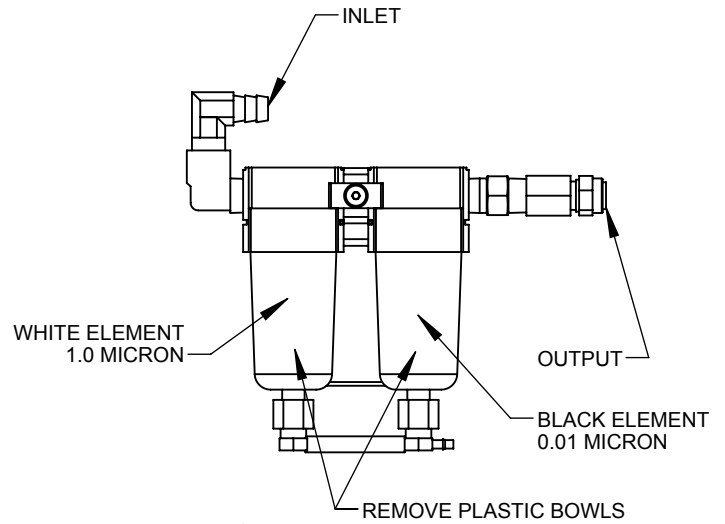


FIGURE 2

1. Major components have been removed from the image above for clarity.
2. Remove the two screws fastening the filter bowl assembly to the chassis. There should be enough slack in the tubing to remove the plastic bowls from the filter assembly without disconnecting the tubing. If tubing must be disconnected, please follow steps 3-6. If the bowls can be removed without removing the hoses, skip to step 7.
3. If necessary, remove the large hose clamp connecting the compressor output hose to the filter bowl inlet. Remove this hose from the filter bowl assembly.
4. If necessary, remove the solenoid drain hose from the end port of the solenoid valve.
5. If necessary, remove the filter bowl output hose from the inlet of the dryer tube.
6. If necessary, remove the filter assembly from the chassis.
7. Remove the plastic bowls from the filter assembly. Using a Phillips head screwdriver, remove the filter element retaining screws. Replace the elements as indicated in Figure 2.
8. While the filter assembly is loose from the chassis, remove the plastic housing from the compressor intake. Replace the intake filter element.
9. Reattach the components to the chassis in reverse order.

