

4

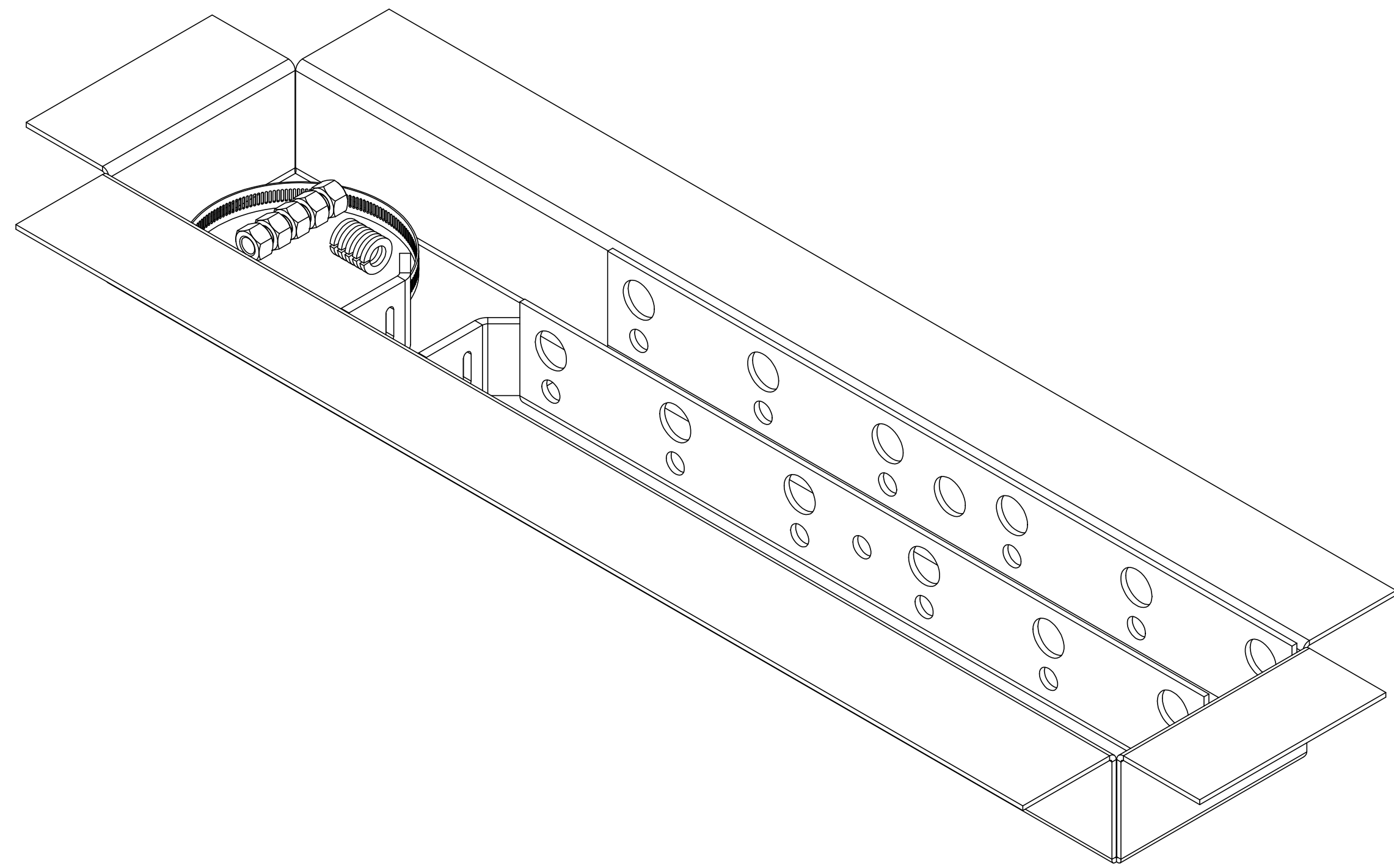
3

2

1

NOTES:
1.0 PLACE DRAWING INTO BOX.

REVISIONS				
REV.	ECN	DESCRIPTION	BY	DATE
A	8000016280	INITIAL RELEASE	RJC	09/21/2016



ITEM	PART NO.	DESCRIPTION	QTY.	WEIGHT	NOTE NO.
1	ACS-12-01	BRACKET, CABLE SUPPORT, 12 HOLE	1	3.21 LBS	
2	GN03HB5	BAG OF 5EA OF GN03	1	0.09 LBS	
3	GWL03HB5	BAG OF 5EA GWL-03	1	0.03 LBS	
4	HC152210	UNIVERSAL BAND CLAMP	1	0.08 LBS	
5	MTC3777B01	BRACKET	1	0.48 LBS	
6	MT-377	3/8" X 12" GALV THREADED ROD	1	0.37 LBS	
7	BXGB2	BOX KRAFT:24.50 X 4.5 X 2.25 (EA)	1	0.21 LBS	
8	DOCUMENT RECORD	INSERT DRAWING ACS-12 INTO BOXC3	1	-	1

DENSITY	0.09	lbs/in ³
MASS	4.48	lbs
VOLUME	51.21	in ³
SURFACE AREA		in ²
HEIGHT		
LENGTH		
WIDTH		

COMMSCOPE, INC. OF NORTH CAROLINA

TOLERANCES		SAP MATERIAL MASTER						
0 PLACE X ± .25	2 PLACE .XX ± .06	ACS-12						
1 PLACE .X ± .12	ANGLES ± 2°							
FINISH		MATERIAL						
GALV A123		A36, A1011						
UNLESS OTHERWISE SPECIFIED DIMENSIONS ARE IN MILLIMETERS INTERPRET PER ISO STANDARDS HANDBOOK TECHNICAL DRAWINGS VOLUMES 1 & 2, THIRD EDITION (2002)		NAME	DATE	TITLE				
		CE RJC	09/19/16	SUPPORT, ANTENNA CABLE, 12 HOLE				
		RW						
		RV						
		AD						
RE TP	09/19/16	SCALE	DOCUMENT NO.					
ECN 8000016280		1:2	ACS-12					
SIZE	WORK AREA	MODEL		DRAWING		SHEET		
C		VERSION	STATUS	REVISION	VERSION	STATUS	REVISION	1 OF 2
							A	

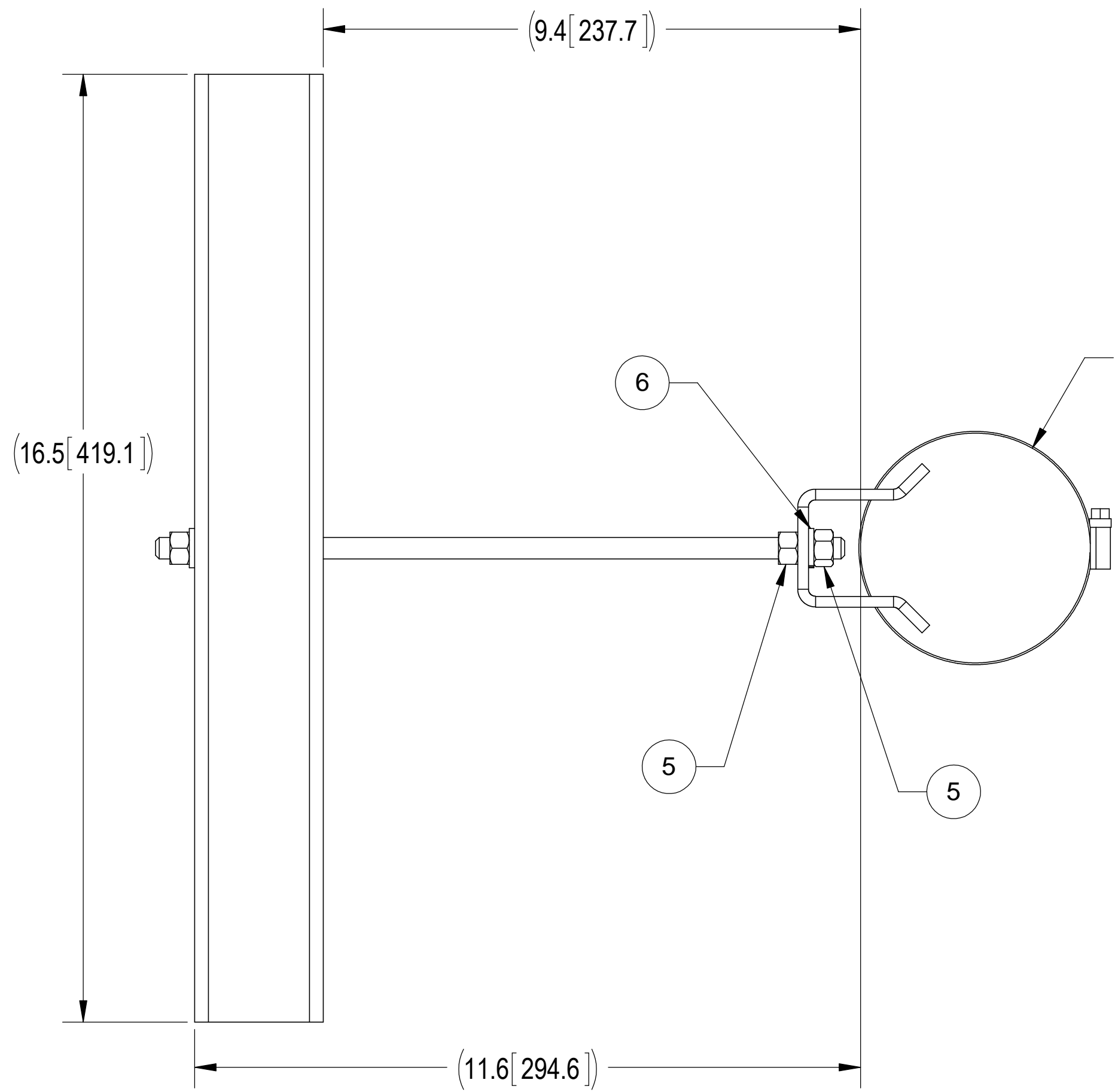
4

3

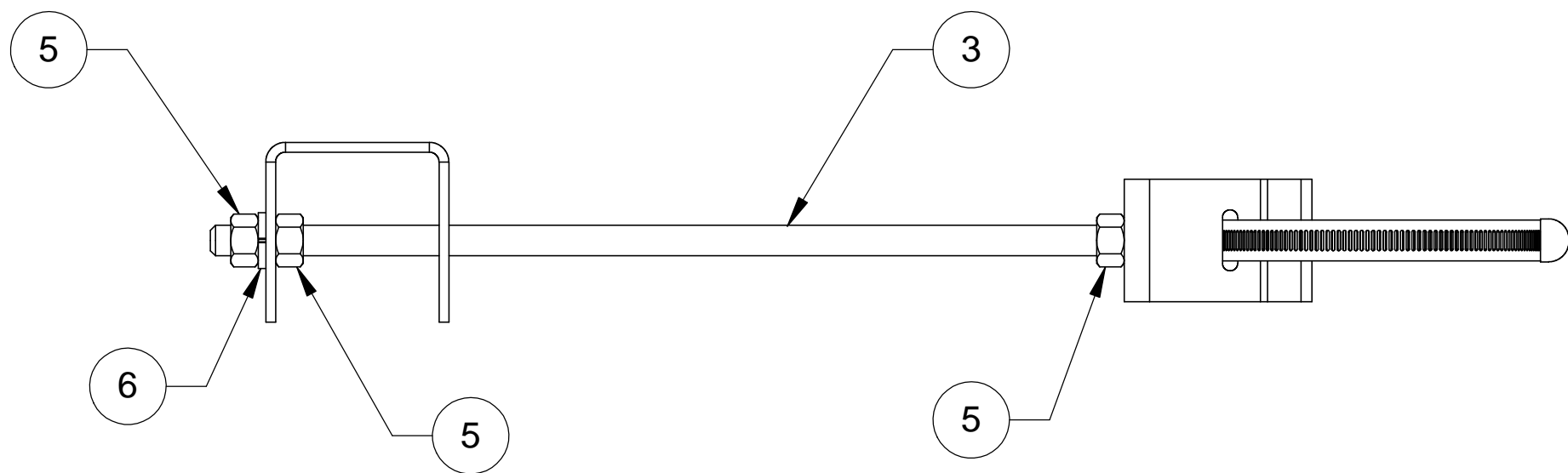
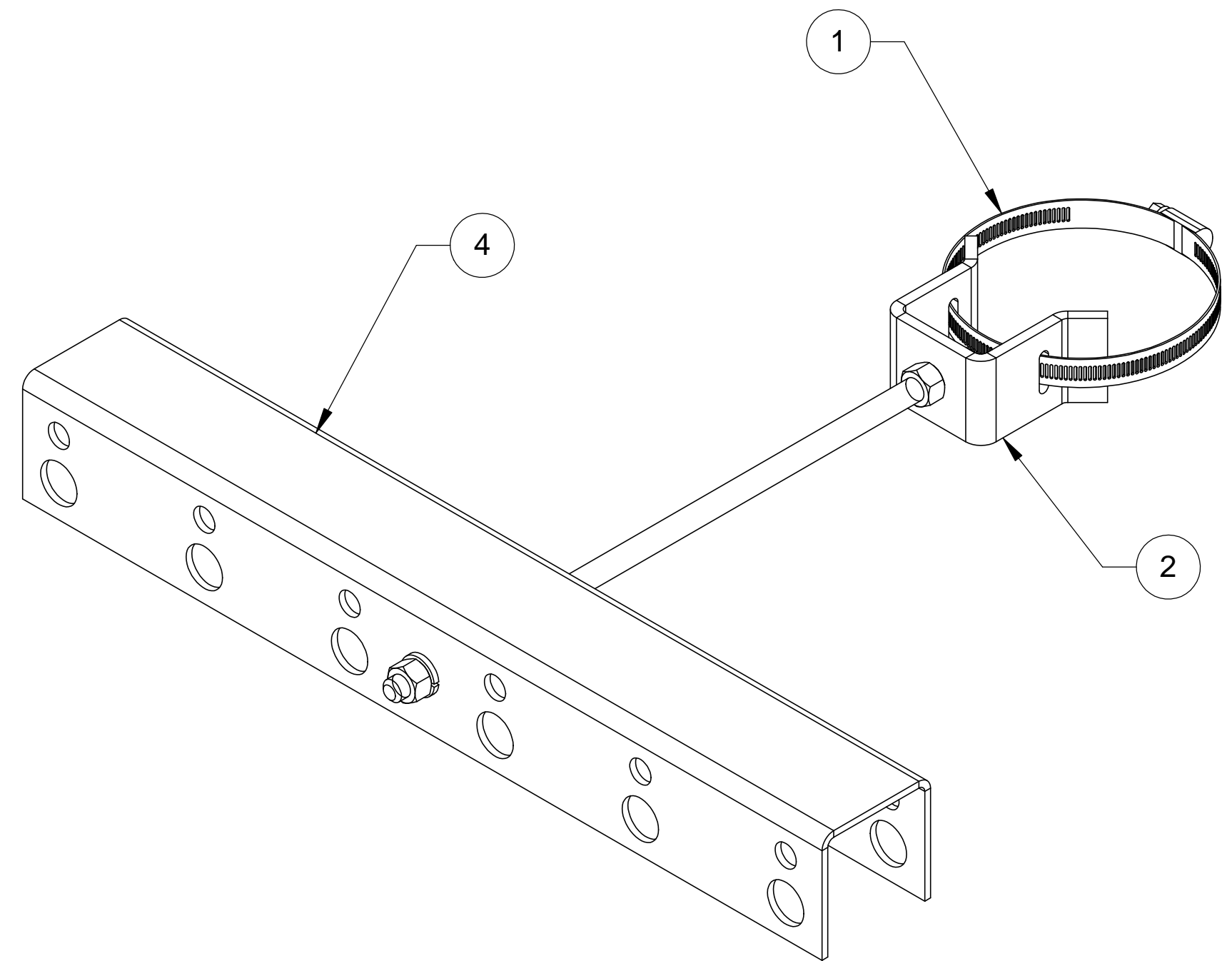
2

1

NOTES:



MOUNTS 2.0" TO 10.0" DIAMETER POLE



ITEM	PART NO.	DESCRIPTION	QTY.	WEIGHT	NOTE NO.
1	HC152210	UNIVERSAL BAND CLAMP	1	0.08 LBS	
2	MTC3777B01	BRACKET	1	0.48 LBS	
3	MT-377	3/8" X 12" GALV THREADED ROD	1	0.37 LBS	
4	ACS-12-01	BRACKET, CABLE SUPPORT, 12 HOLE	1	3.21 LBS	
5	GN-03	3/8" GALV HEX NUT	4	0.02 LBS	
6	GWL-03	3/8" GALV LOCK WASHER	2	0.01 LBS	

COMMSCOPE, INC. OF NORTH CAROLINA

TITLE
SUPPORT, ANTENNA CABLE, 12 HOLE

SIZE **C** SCALE **1:2** DOCUMENT NO. **ACS-12**

DRAWING			SHEET
VERSION	STATUS	REVISION	2 OF 2
		A	