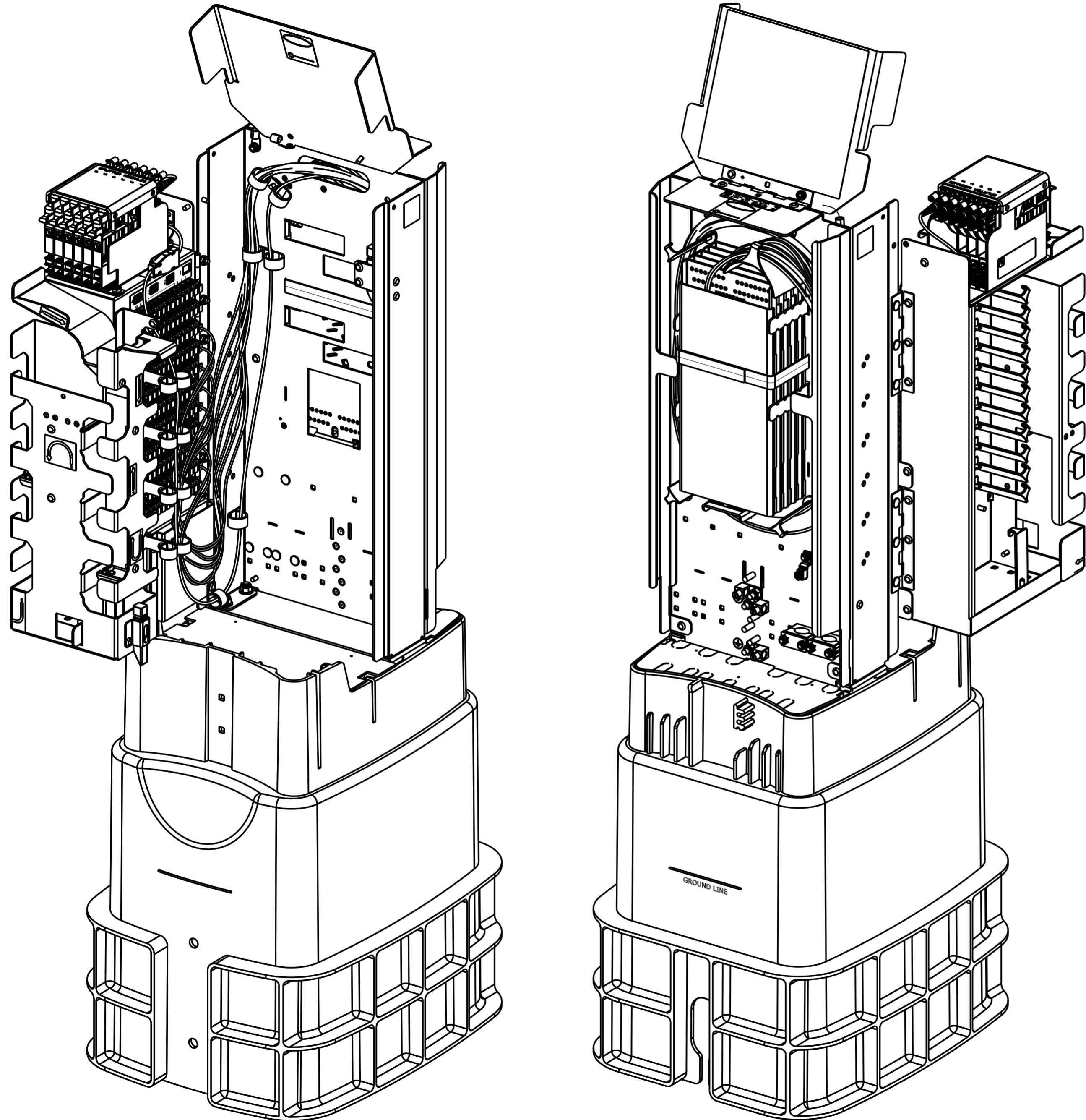


CABLE ROUTING

REVISIONS			
REV	DESCRIPTION	DATE	APPROVED
A	40061426CMO	21-MAR-2018	JST



SHOWN WITHOUT PEDESTAL COVER

NOTES:

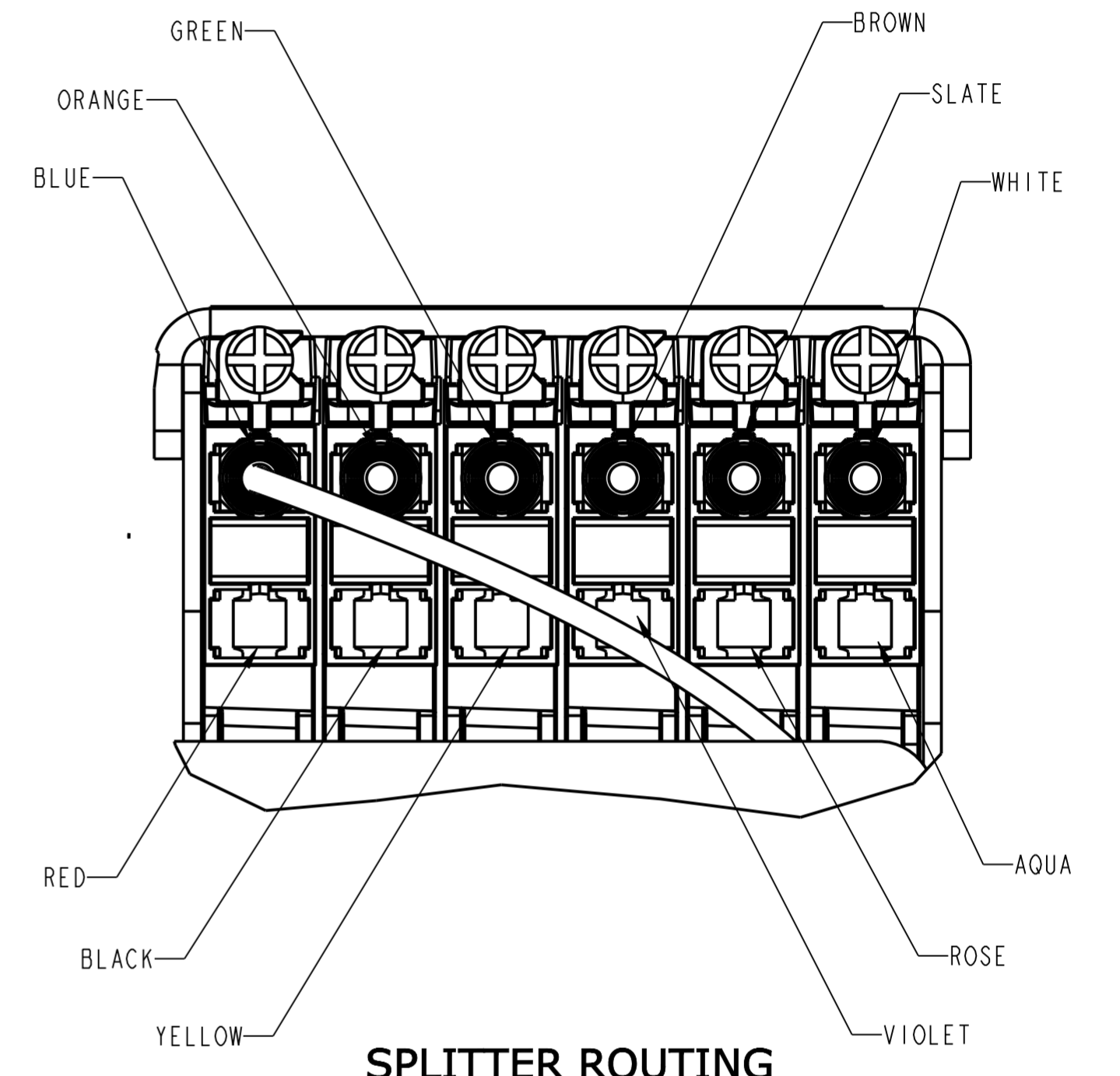
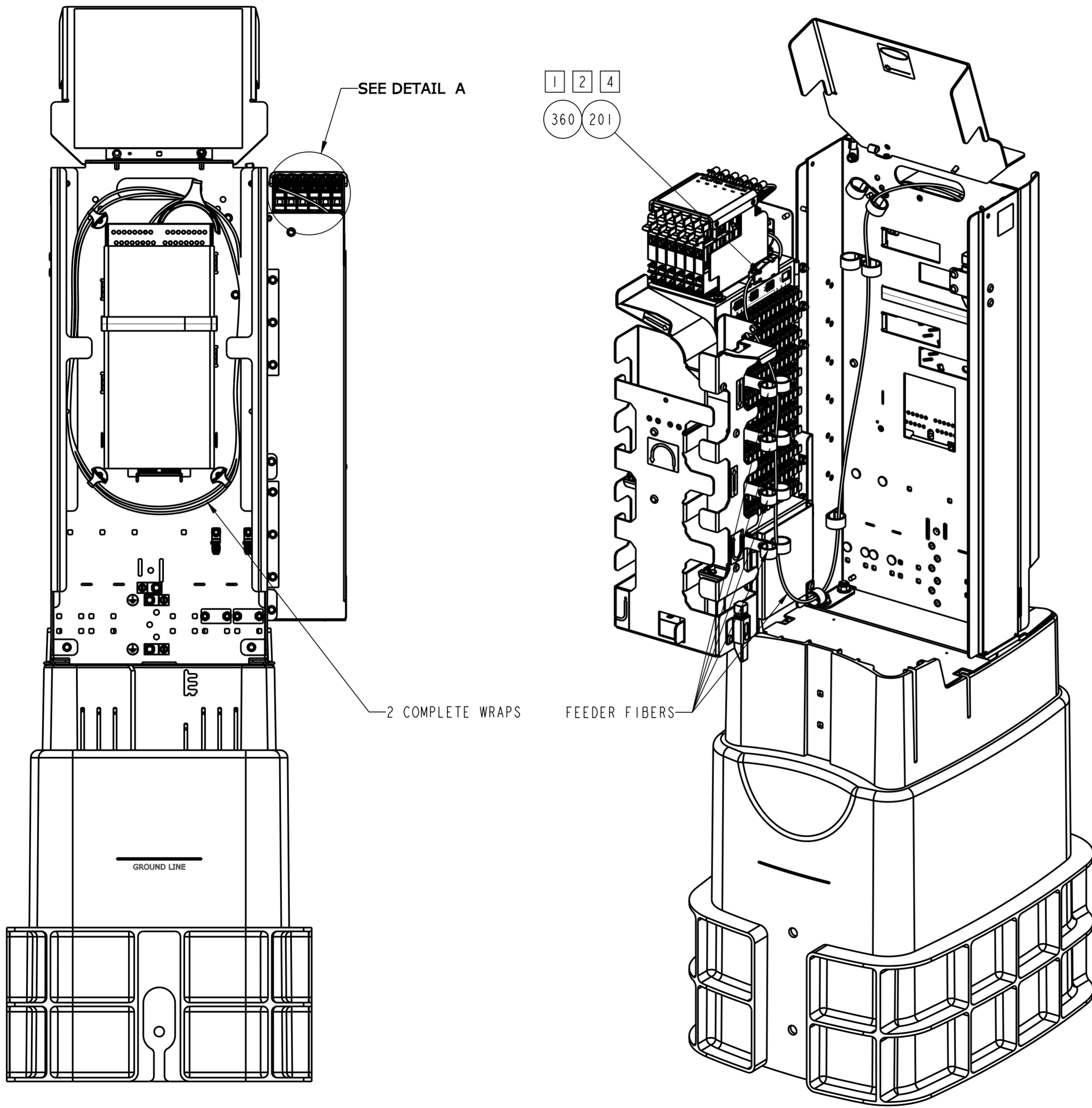
- 1 MASS FUSION (RIBBON CABLES): STRIP OFF 58" AND RIBBONIZE THE LAST 8" OF FIBER USING GLUE F/N 910 (IF ON BOM), THEN ROUTE IN SPLICE TRAY F/N 210.
- 2 APPLY LABEL, F/N 570, TO EACH OF 3MM CABLE AND LABEL, F/N 560, ON THE SPLICE TRAY FOR IDENTIFICATION. FOR EXSAMPLE: FEEDER CABLE PLACE LABEL #1'S ON 3 LOCATIONS: HALF INCH BEHIND THE FAN-OUT BOOT, AT THE END OF THE JACKET, AND AT THE END OF THE RIBBON, THEN PLACE F/N 560 (FEEDER) ON THE SPLICE TRAY AS SHOWN. DISTRIBUTION CABLE 1 PLACE LABEL #2'S ON 3 LOCATIONS: ON THE SAME LOCATIONS AS FEEDER CABLE AND F/N 560 (1-24) AND SO ON. SEE SHEET 7.
- 3 CUT SPIRAL WRAP, F/N 090 (CUT AND USE F/N 091 IF ON BOM ON F/N 201) TO 1.50" LONG.
- 4 SET CABLE TIE INSTALL TOOL TO THE LOWEST SETTING.

COMMSCOPE, INC.										
TOLERANCES					SAP MATERIAL MASTER					
N/A										
FINISH					MATERIAL					
N/A					N/A					
SYMBOLOLOGY AGREES WITH ASME Y14.5M - 2009. ALL SHEETS ARE THE SAME REVISION AND STATUS.	DRAFTER			TITLE						
	JORGE SOTO			DRAWING, REF			CABLE ROUTING			
	CHECKER			SIZE			SCALE			
	JORGE SOTO			A 2			0.270			
ENGINEER			DOCUMENT NO.							
JORGE SOTO			A18009198							
ECN			40061426CMO							
ALL SURFACES			WORK AREA: 59			MODEL			DRAWING	SHEET
✓			00			00			RE	A
										1 OF 4

© 2018 CommScope, Inc. Confidential

NOTICE: These drawings and specifications are the proprietary property of COMMSCOPE, INC. and may be used only for the specific purpose authorized in writing by COMMSCOPE, INC.

FEEDER ROUTING



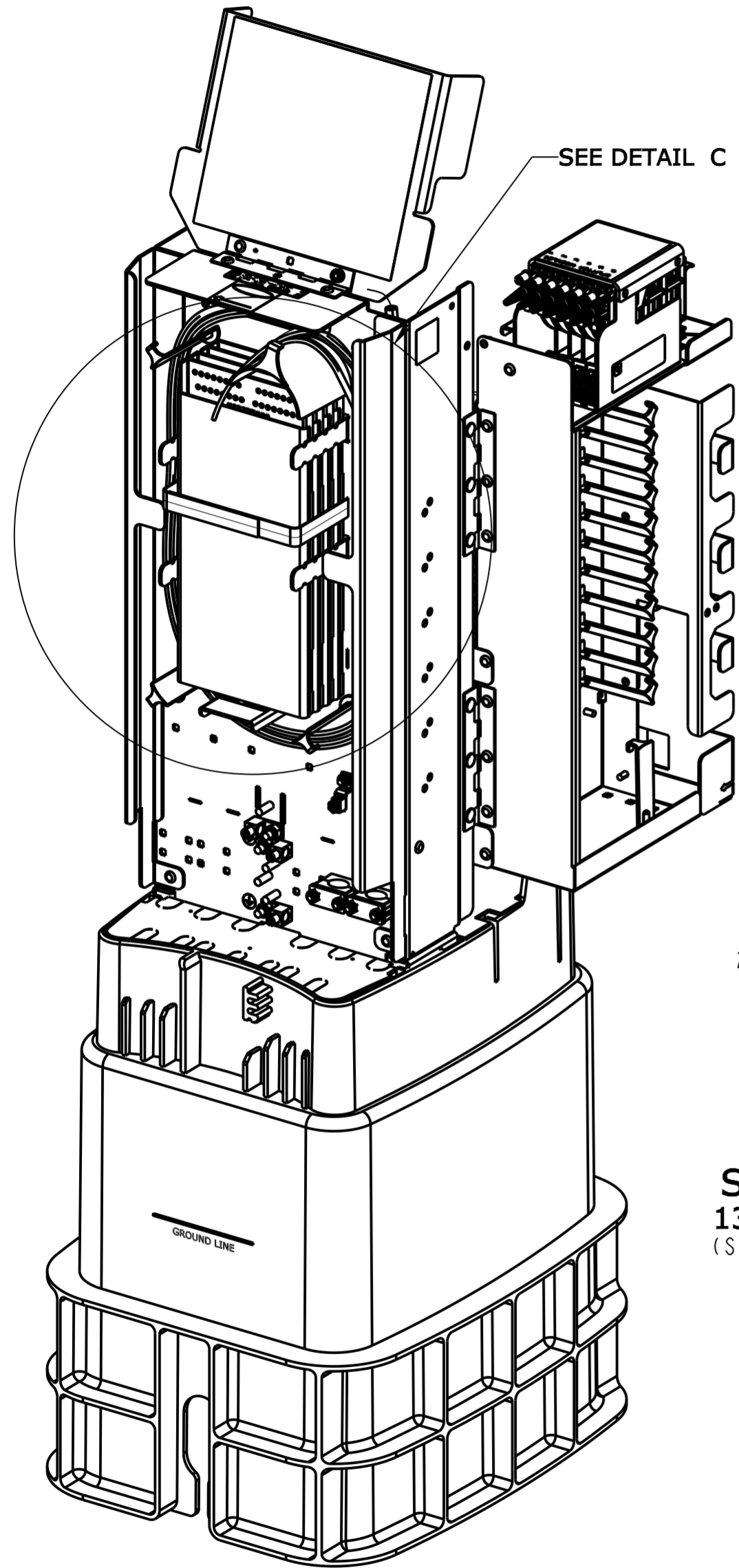
SPLITTER ROUTING (BACK VIEW)

DETAIL A
SCALE 1:500

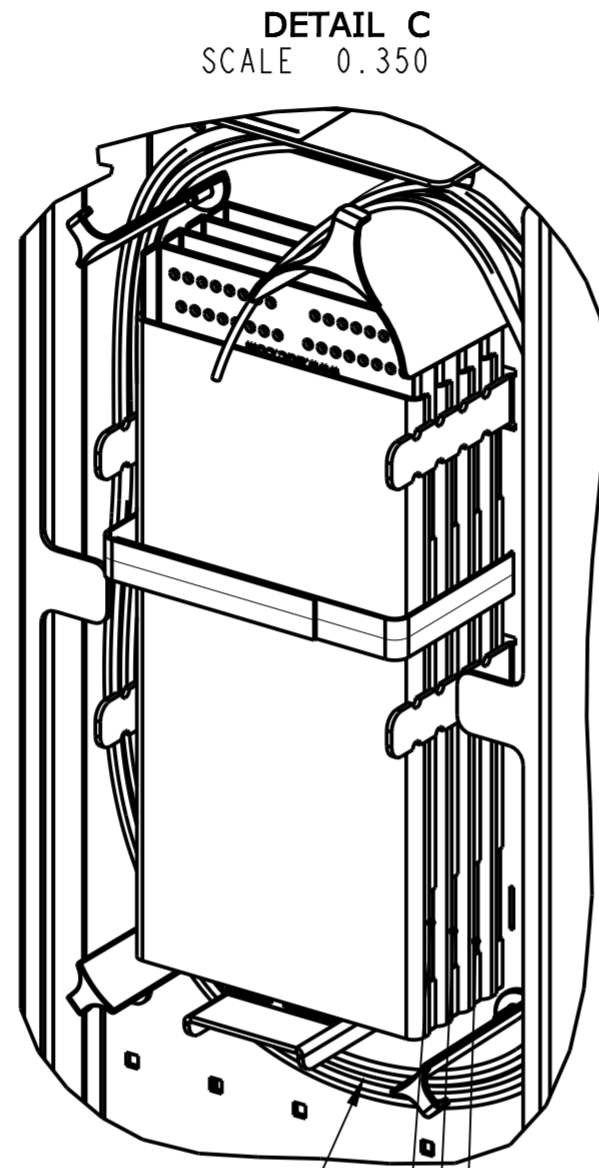
COMMSCOPE, INC.			
TITLE DRAWING, REF , CABLE ROUTING			
SIZE A2	SCALE 0.270	DOCUMENT NO. A18009198	
DRAWING			SHEET 2 OF 4
VERSION STATUS REVISION			
00 RE A			

© 2018 CommScope, Inc. Confidential
NOTICE: These drawings and specifications are the proprietary property of COMMSCOPE, INC. and may be used only for the specific purpose authorized in writing by COMMSCOPE, INC.

DISTRIBUTION ROUTING

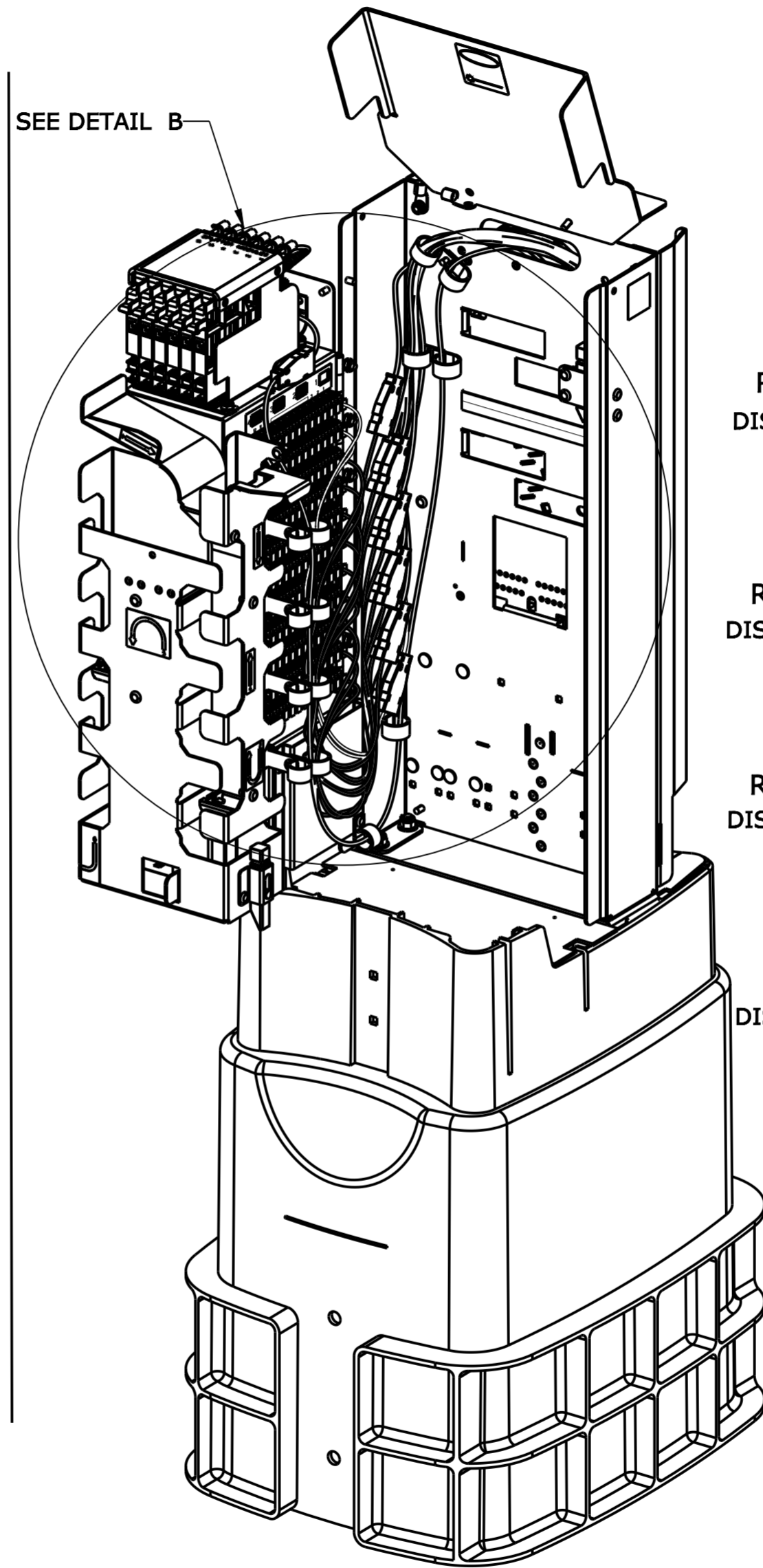


ISO BACK VIEW

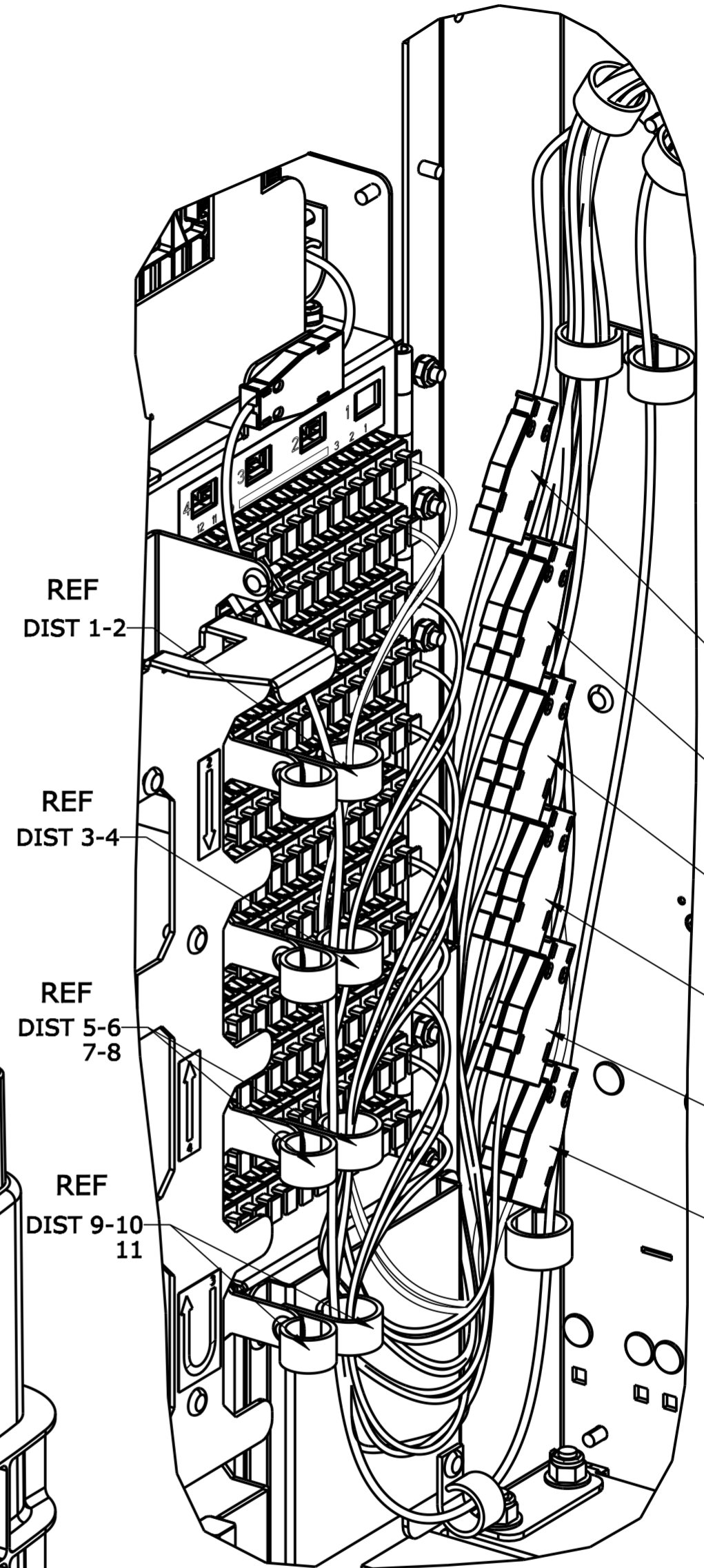


2 WRAPS IN EACH CABLE
 DISTRIBUTION FIBER 97-132
 DISTRIBUTION FIBERS 49-96
 DISTRIBUTION FIBERS 1-48

SPLICE TRAYS (REF)
 132DF: 1-48 UP TO DESIRED QTY.
 (SEE SCHEME)



ISO FRONT VIEW



DETAIL B
 SCALE 0.550

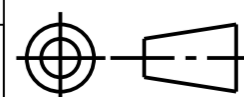
COMMSCOPE, INC.

TITLE
 DRAWING, REF ,
 CABLE ROUTING

SIZE	SCALE	DOCUMENT NO.
A2	0.071	A18009198
DRAWING		SHEET
VERSION	STATUS	REVISION
00	RE	A
		3 OF 4

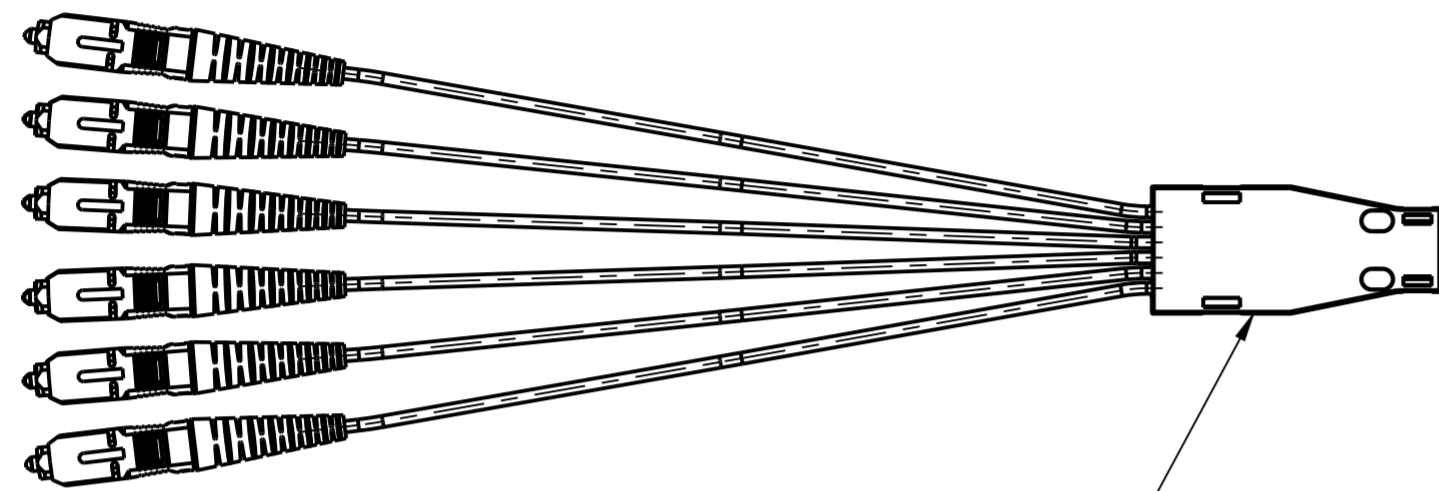
© 2018 CommScope, Inc. Confidential

NOTICE: These drawings and specifications are the proprietary property of COMMSCOPE, INC. and may be used only for the specific purpose authorized in writing by COMMSCOPE, INC.



A
B
C
D
E
F
G
H

A
B
C
D
E
F
G
H

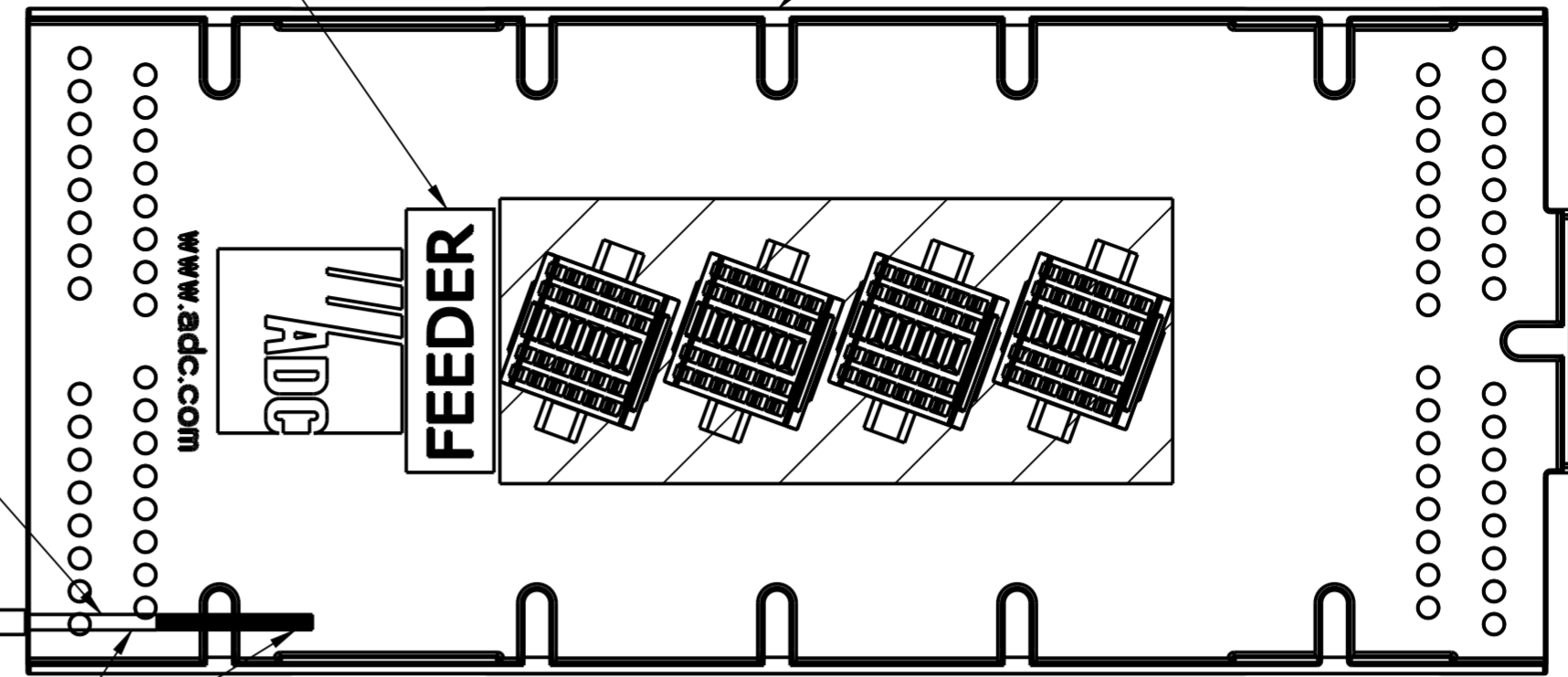


1 2 201

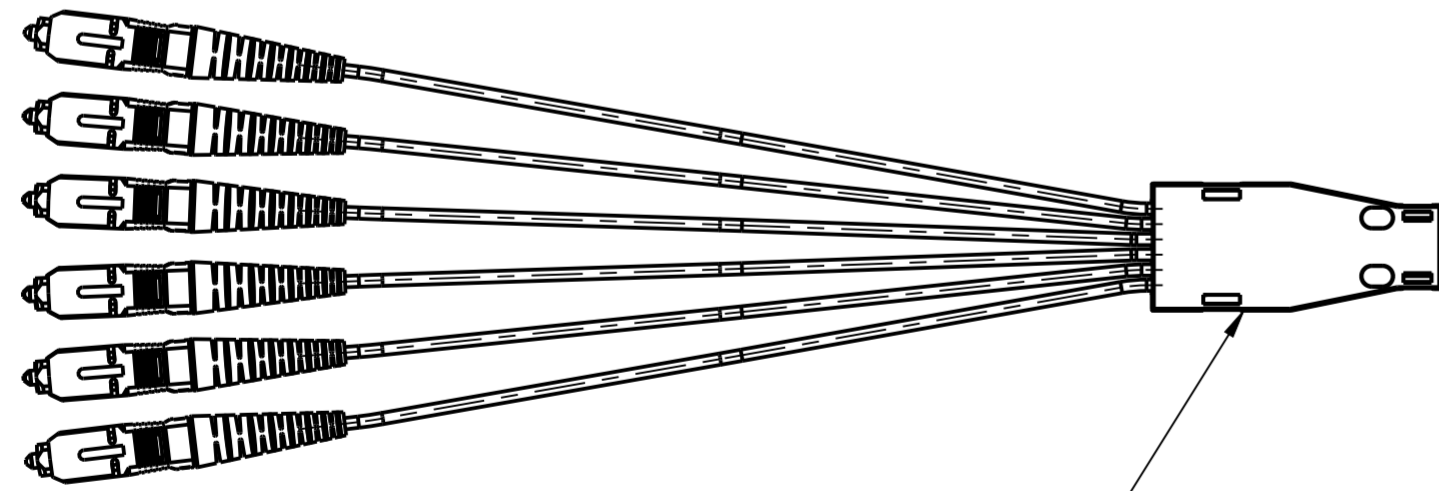
FEEDER CABLE

3 4 090 700

570
LABEL #1



1-24 UP TO DESIRED CONFIGURATION
OR
1-48 UP TO DESIRED CONFIGURATION

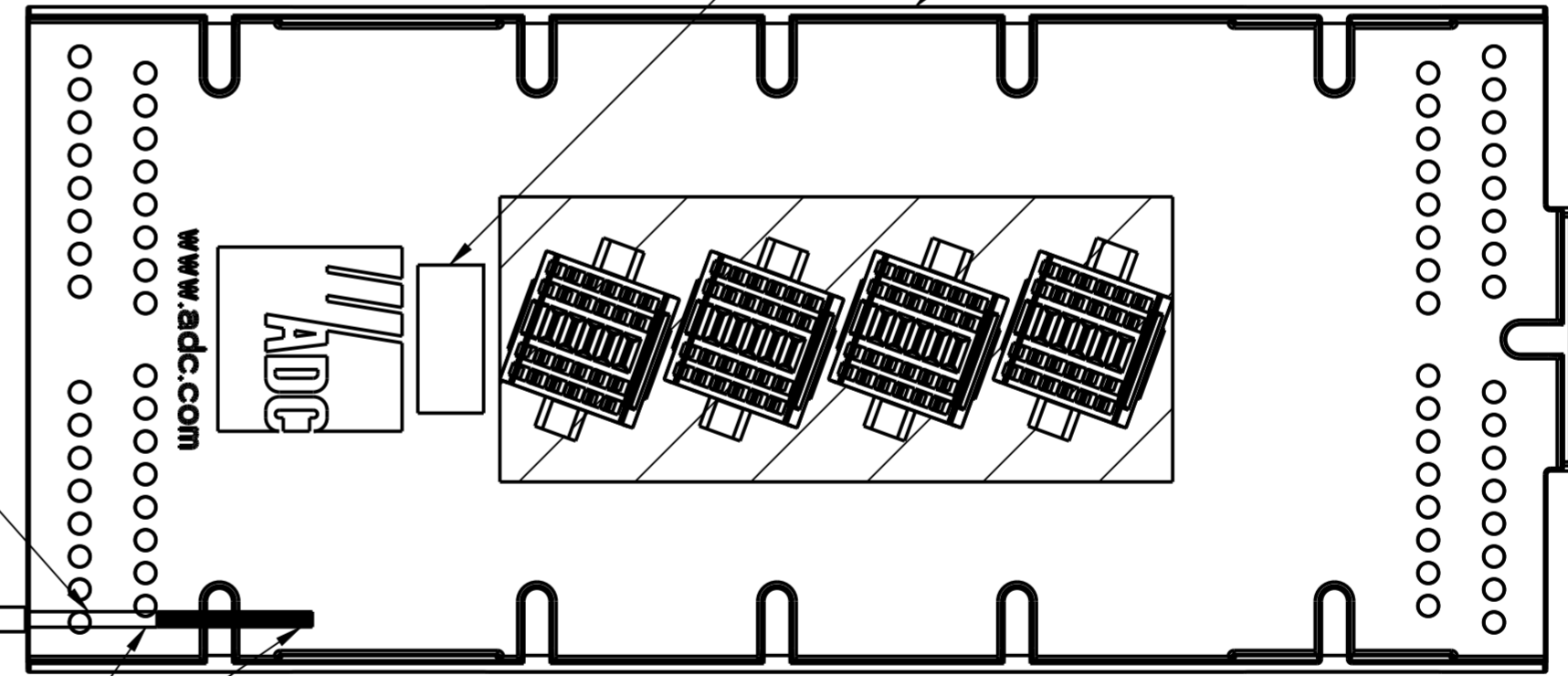


1 2 200

DISTRIBUTION CABLE 1

3 4 090 700

570
LABEL #2



COMMSCOPE, INC.			
TITLE DRAWING, REF CABLE ROUTING			
SIZE	SCALE	DOCUMENT NO.	
A2	0.750	A18009198	
DRAWING			SHEET
VERSION	STATUS	REVISION	4 OF 4
00	RE	A	

© 2018 CommScope, Inc. Confidential
NOTICE: These drawings and specifications are the proprietary property of COMMSCOPE, INC. and may be used only for the specific purpose authorized in writing by COMMSCOPE, INC.

