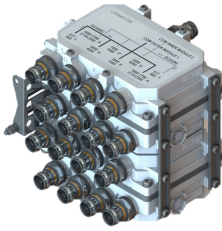


# SQX6192342Q-43 | E14F15P29



Compact Quad Quadplexer 617-960/AWS-WCS/PCS/ CBRS-C-Band, DC on 617-960, 4.3-10 connectors

- New Combining Solution to introduce 5G, 3.5GHz band
- BTS-to-feeder and feeder-to-antenna application
- New 4.3-10 connectors for improved PIM performance and size reduction
- dc/AISG pass-through on low frequency ports
- Suitable for space limited applications like Metro Cell, Lamp Pole, Concealment Solution and Macro Site
- Ideal for small cell applications

## Product Classification

**Product Type** Quadplexer

## General Specifications

**Color** Gray

**Common Port Label** COMM

**Modularity** 4-Quad

**Mounting** Pole | Wall

**Mounting Pipe Hardware** Band clamps (2)

**RF Connector Interface** 4.3-10 Female

**RF Connector Interface Body Style** Long neck

## Dimensions

**Height** 117 mm | 4.606 in

**Width** 176 mm | 6.929 in

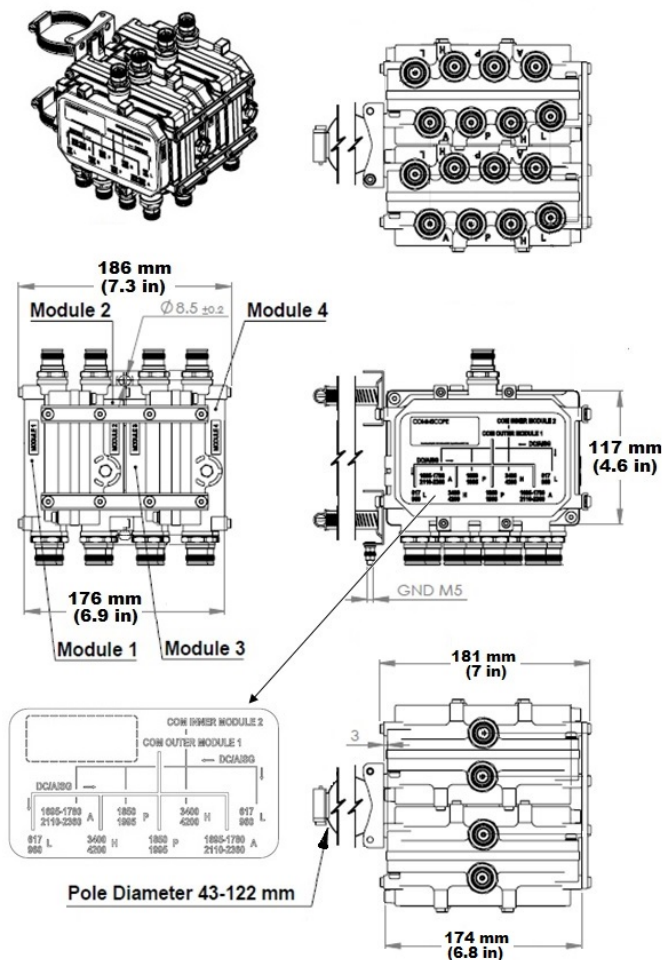
**Depth** 181 mm | 7.126 in

**Ground Screw Diameter** 5 mm | 0.197 in

**Mounting Pipe Diameter Range** 42.6–122 mm

## Outline Drawing

# SQX6192342Q-43 | E14F15P29



## Electrical Specifications

<b>Impedance</b>	50 ohm
<b>License Band, Band Pass</b>	APT 700   AWS 1700   CEL 850   CEL 900   DCS 1800   EDD 800   IMT 2100   IMT 2600   LMR 750   LMR 800   LMR 900   PCS 1900   TDD 3500   USA 600   USA 700   USA 750   WCS 2300

## Electrical Specifications, dc Power/Alarm

<b>dc/AISG Pass-through Method</b>	Factory set
<b>dc/AISG Pass-through Path</b>	Branch 1
<b>dc/AISG Pass-through, combiner</b>	Branch 1
<b>Lightning Surge Current</b>	5 kA
<b>Lightning Surge Current Waveform</b>	8/20 waveform
<b>Voltage</b>	7–32 Vdc

# SQX6192342Q-43 | E14F15P29

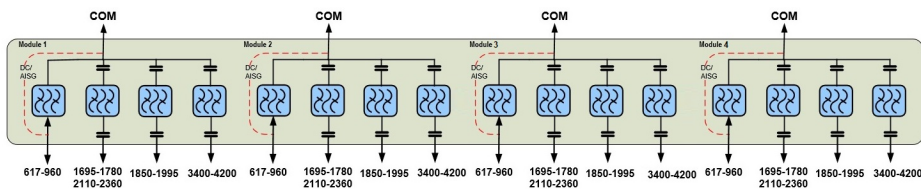
## Electrical Specifications

Sub-module	1   2	1   2	1   2	1   2
Branch	1	2	3	4
Port Designation	617-960	PCS	AWS, WCS	CBRS, C-Band
License Band	USA 700, Band Pass USA 750, Band Pass USA 600, Band Pass CEL 850, Band Pass CEL 900, Band Pass	PCS 1900, Band Pass	WCS 2300, Band Pass AWS 1700, Band Pass AWS 2000, Band Pass	TDD 3500, Band Pass

## Electrical Specifications, Band Pass

Frequency Range, MHz	617-960	1850-1995	1695-1780 2110-2360	3400-4200
Insertion Loss, maximum, dB	0.3	0.3	0.3	0.3
Total Group Delay, maximum, ns	5	15	15	5
Return Loss, typical, dB	20	20	20	20
Isolation, minimum, dB	35 @ 1695-2360 50 @ 3400-4200	35 @ 617-960 35 @ 1695-1780 35 @ 2110-2360 50 @ 3400-4200	35 @ 617-960 35 @ 1850-1995 50 @ 3400-4200	35
Input Power, RMS, maximum, W	160	120	120	80
Input Power, PEP, maximum, W	1600	1200	1200	800
3rd Order PIM, maximum, dBc	-155	-155	-155	-145
3rd Order PIM Test Method	Two +43 dBm carriers	Two +43 dBm carriers	Two +43 dBm carriers	Two +43 dBm carriers

## Block Diagram



## Mechanical Specifications

Wind Loading @ Velocity, frontal	26.0 N @ 150 km/h (5.8 lbf @ 150 km/h)
Wind Loading @ Velocity, lateral	28.0 N @ 150 km/h (6.3 lbf @ 150 km/h)

## Environmental Specifications

Operating Temperature	-40 °C to +65 °C (-40 °F to +149 °F)
-----------------------	--------------------------------------

# SQX6192342Q-43 | E14F15P29

---

<b>Relative Humidity</b>	Up to 100%
<b>Corrosion Test Method</b>	IEC 60068-2-11, 30 days
<b>Ingress Protection Test Method</b>	IEC 60529:2001, IP67

## Packaging and Weights

<b>Included</b>	Mounting hardware
<b>Mounting Hardware Weight</b>	0.2 kg   0.441 lb
<b>Volume</b>	3.73 L
<b>Weight, without mounting hardware</b>	6.5 kg   14.33 lb