

THIS DRAWING IS UNPUBLISHED. RELEASED FOR PUBLICATION
 © 2016 Commscope, INC. Confidential
 NOTICE: These drawings and specifications are the proprietary property of COMMSCOPE, INC. and may be used only for the specific purpose authorized in writing by COMMSCOPE, INC.

REVISIONS					
P	LTR	DESCRIPTION	DATE	DWN	APVD
B1		POSITION 5 NEU HINZU	13.12.01	TILLE	S.C
B2		UPDATED DRAWING	29-09-05	M.P.	J.S.
C		REV PER BNS_CD_BRAND	21-01-17	GG	DC

VERPACKUNGSEINHEIT:

- 1x SCHRÄGABDECKUNG
- 1x MONTAGERAHMEN
- 1x ADAPTEREINSATZ
- 2x SCHRAUBE
- 1x ABDECKRAHMEN

TEILE IN KUNSTSTOFF-
BEUTEL VERPACKT

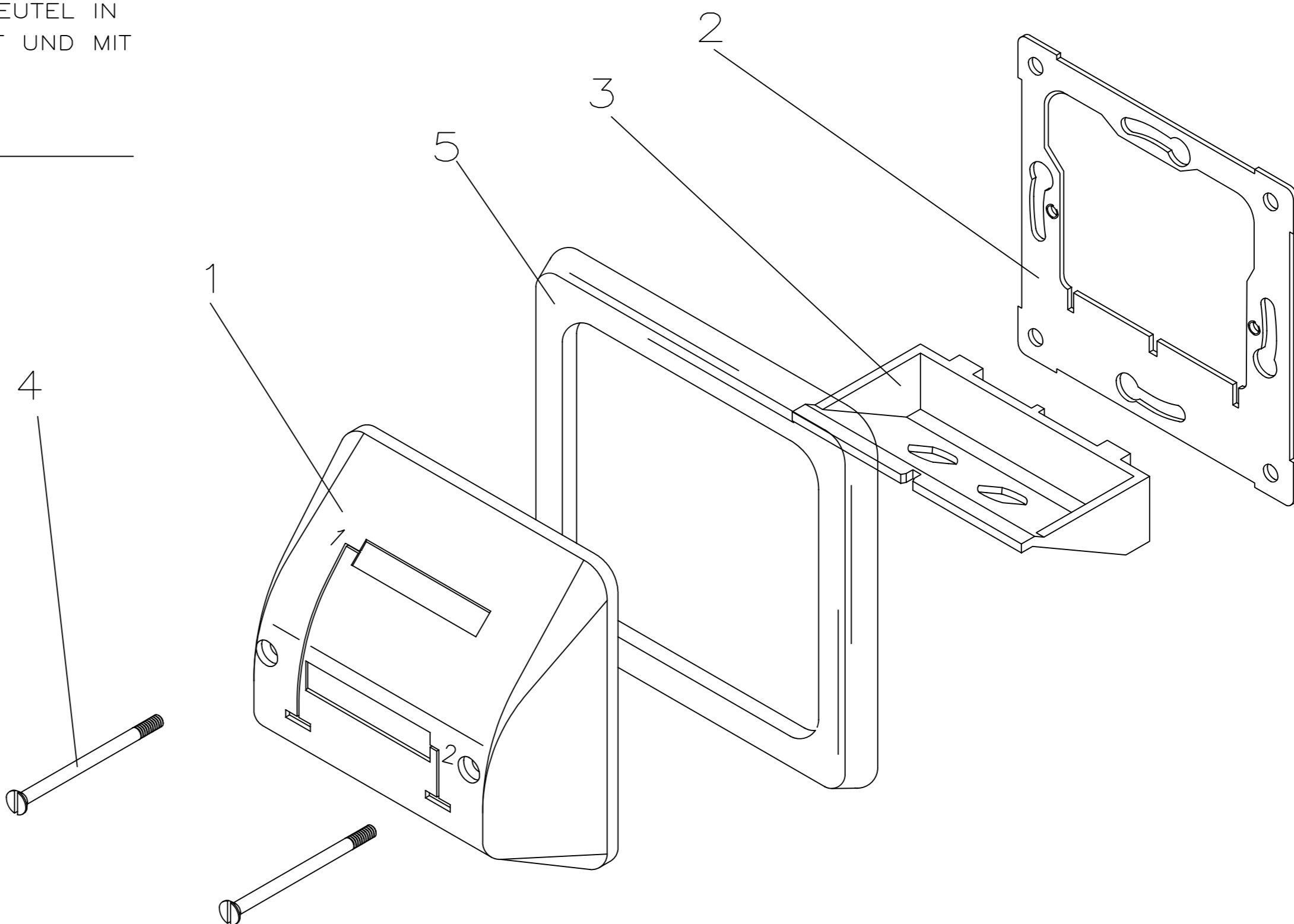
10 KUNSTSTOFFBEUTEL IN
KARTON VERPACKT UND MIT
AMP-PN BEDRUCKT

PACKING UNIT:

- 1x ANGLED COVER
- 1x MOUNTING FLANGE
- 1x MOUNTING INSERT
- 2x SCREW
- 1x SINGLE DIN COVER

PARTS PACKED
INTO POLYBAG

10 BAGS PACKED INTO
CARDBOARD BOX PROVIDED
WITH AMP-PN



BESTELL-NR. PART-NO.	2-966 936-5	2-966 936-4	2-966 936-3	2-966 936-2	966 936-5	966 936-4	966 936-3	966 936-2	POS. ITEM-NO	BENENNUNG EINZELTEIL DESCRIPTION	WERKSTOFF MATERIAL	OBERFLÄCHE/PLATING FARBE/COLOR
1	-	-	-	-	-	-	-	-	5	ABDECKRAHMEN SINGLE DIN COVER	PC	RAL9010
-	-	-	-	-	1	-	-	-	5	ABDECKRAHMEN SINGLE DIN COVER	PC	RAL1013
1	-	-	-	-	-	-	-	-	3	ADAPTEREINSATZ MOUNTING INSERT (2xMT-RJ)	PC	RAL 9010
-	-	-	-	-	1	-	-	-	3	ADAPTEREINSATZ MOUNTING INSERT (2xMT-RJ)	PC	RAL 1013
2	2	2	2	2	2	2	2	2	4	SCHRAUBE SCREW	St	VERZINKT ZINC PLATED
-	1	-	-	-	-	-	-	-	3	ADAPTEREINSATZ MOUNTING INSERT (2xST)	PC	RAL 9010
-	-	1	-	-	-	-	-	-	3	ADAPTEREINSATZ MOUNTING INSERT (2xBNC)	PC	RAL 9010
-	-	-	1	-	-	-	-	-	3	ADAPTEREINSATZ MOUNTING INSERT (2xSC)	PC	RAL 9010
-	-	-	-	-	1	-	-	-	3	ADAPTEREINSATZ MOUNTING INSERT (2xST)	PC	RAL 1013
-	-	-	-	-	-	-	1	-	3	ADAPTEREINSATZ MOUNTING INSERT (2xBNC)	PC	RAL 1013
-	-	-	-	-	-	-	-	1	3	ADAPTEREINSATZ MOUNTING INSERT (2xSC)	PC	RAL 1013
1	1	1	1	1	1	1	1	1	2	MONTAGERAHMEN MOUNTING FLANGE	St	VERZINKT ZINC PLATED
1	1	1	1	-	-	-	-	-	1	SCHRÄGABDECKUNG ANGLED COVER	PC	RAL9010
-	-	-	-	1	1	1	1	1	1	SCHRÄGABDECKUNG ANGLED COVER	PC	RAL1013
STÜCK PIECES									POS. ITEM-NO	BENENNUNG EINZELTEIL DESCRIPTION	WERKSTOFF MATERIAL	OBERFLÄCHE/PLATING FARBE/COLOR

THIS DRAWING IS A CONTROLLED DOCUMENT.		DWN M.PANADERO 29-09-05	COMMSCOPE, INC.	
		CHK R.MATEO 29-09-05		
		APVD J.SANABRA 29-09-05	NAME ANGLED COVER KIT	
		PRODUCT SPEC		
		APPLICATION SPEC		
		WEIGHT	SIZE A2	RESTRICTED TO
		CUSTOMER DRAWING	CAGE CODE -	DRAWING NO C=966936
		SCALE 1:1	SHEET 1 of 1	REV C

966936

RESTRICTED TO