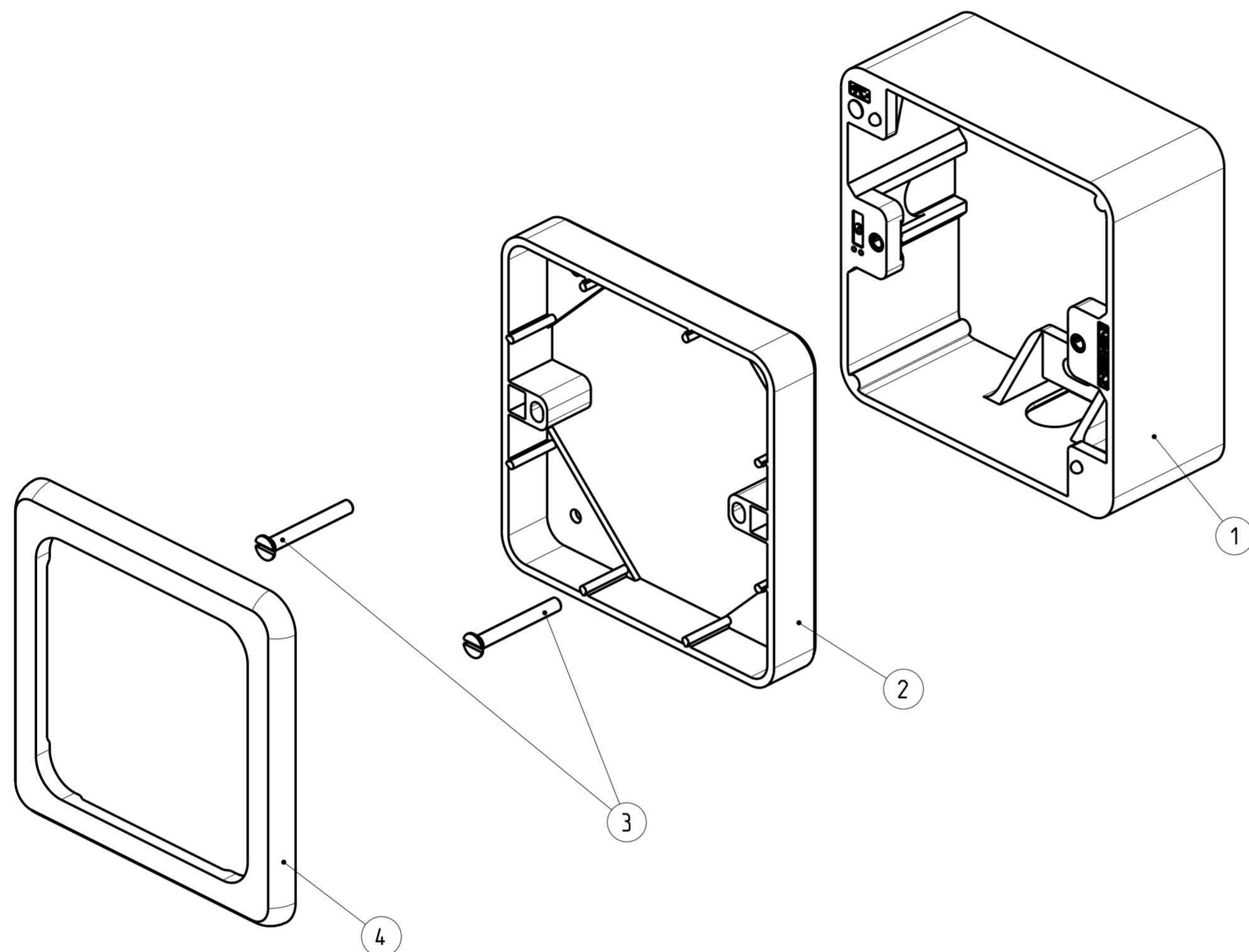


THIS DRAWING IS UNPUBLISHED
 RELEASED FOR PUBLICATION
 © 2016 COMMSCOPE, INC. CONFIDENTIAL
 NOTICE: THESE DRAWINGS AND SPECIFICATIONS ARE THE PROPRIETARY PROPERTY OF COMMSCOPE, INC. AND MAY BE USED ONLY FOR THE SPECIFIC PURPOSE AUTHORIZED IN WRITING BY COMMSCOPE, INC.

REVISIONS					
P	LTR	DESCRIPTION	DATE	DWN	APVD
A		UPDATED DRAWING	29SEP2005	MP	JS
A1		ECR-15-000755	22APR2015	LC	JS
B		REV PER ECN 8000019139	26JAN2017	GG	LS



PACKAGING

10 KITS PACKED INTO
 BOX 300X165X120 mm.
 PROVIDED WITH DESCRIPTION,
 PN AND QUANTITY

QTY	UNIT	MATERIAL	DESCRIPTION	ITEM
1	-	PC	SINGLE DIN COVER, WHITE RAL 9010	4
-	1	-	SINGLE DIN COVER, ALMOND RAL 1013	
2	2	4.8	SCREW M3X25, ZINK PLATED	3
1	-	PC	ADAPTER RING, WHITE RAL 9010	2
-	1	-	ADAPTER RING, ALMOND RAL 1013	
1	-	PC	SURFACE INSTALL. BOX, WHITE RAL 9010	1
-	-	-	SURFACE INSTALL. BOX, LIGHT GREY RAL 7035	
	1	-	SURFACE INSTALL. BOX, ALMOND RAL 1013	
2-2	-2	2-1	-1	

THIS DRAWING IS A CONTROLLED DOCUMENT.		DWN L. COBACHO 29SEP2005	COMMSCOPE, INC.		
DIMENSIONS: mm		CHK R. MATEO 29SEP2005			
TOLERANCES UNLESS OTHERWISE SPECIFIED:		APVD J. SANABRA 29SEP2005	NAME SURFACE INSTALLATION BOX KIT 80X80		
0 PLC ±		PRODUCT SPEC	SIZE CAGE CODE DRAWING NO RESTRICTED TO		
1 PLC ±		APPLICATION SPEC	A2 - C-966740 -		
2 PLC ±		WEIGHT	SCALE 1:1 SHEET 1 OF 1 REV B		
3 PLC ±		Customer Drawing			
4 PLC ±					
ANGLES ±					
FINISH					