



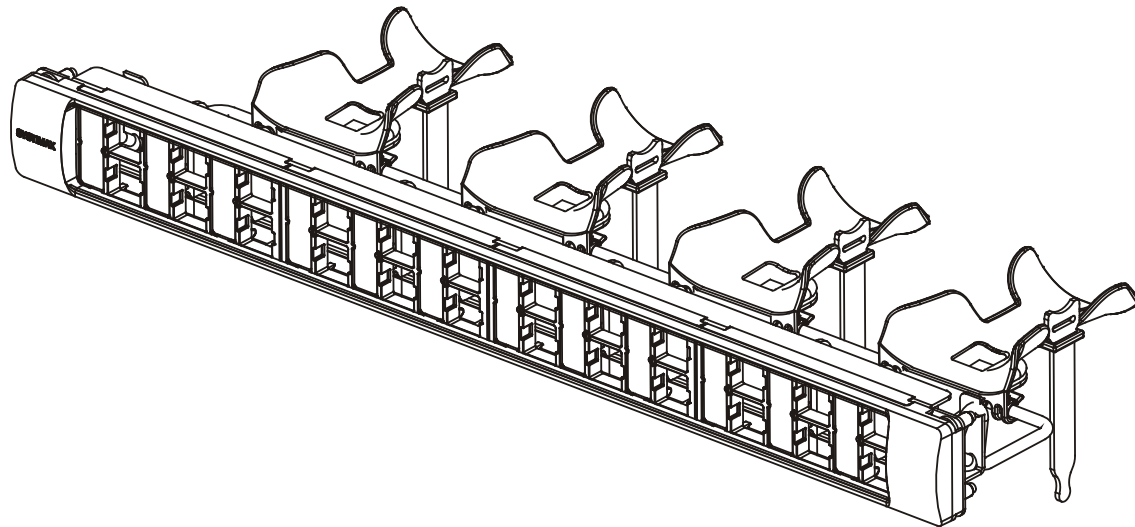
## SYSTIMAX® 360 Modular Panel Installation Instructions

### General

The **SYSTIMAX**® 360 modular panel is a highly flexible 24-port, front or rear accessible patch panel assembly. When installed with M-series outlets, modular patch cords, and cables, it is an integral part of the **SYSTIMAX** connectivity system. The panel consists of a rack mounted base unit, front bezel, rear cable management hardware, and labels for port numbering. It mounts in a standard 19-inch (483mm) equipment rack with universal hole spacing.

Ordering information is listed below:

Material ID	Part No.	Description
760104273	360-MOD-1U-24	<b>SYSTIMAX</b> 360 U/UTP 24-port modular panel



**SYSTIMAX 360 Modular Panel**

### How to Contact Us

- To find out more about **CommScope**® products, visit us on the web at <http://www.commscope.com/>
- For technical assistance:
  - Within the United States, contact your local account representative or technical support at 1-800-344-0223. Outside the United States, contact your local account representative or Authorized Business Partner.
  - Within the United States, report any missing/damaged parts or any other issues to **CommScope** Customer Claims at 1-866-539-2795. Outside the United States, contact your local account representative or Authorized Business Partner.

## Tools Required

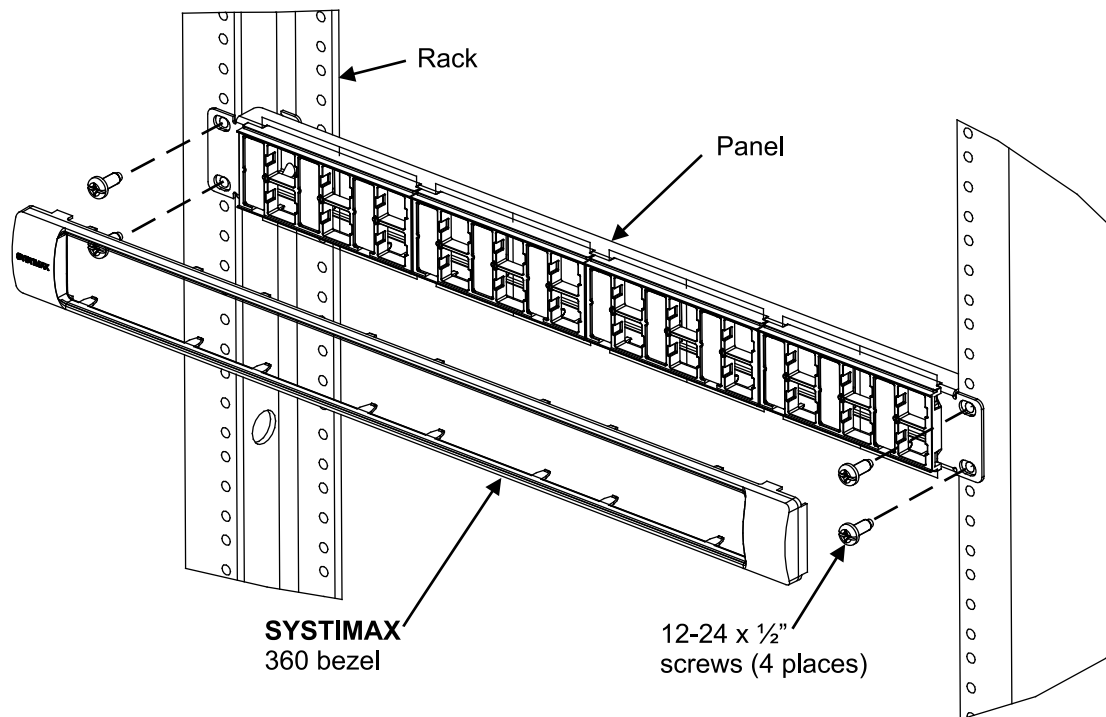
- Phillips head screwdriver

## Parts List

Verify parts from the parts list below:

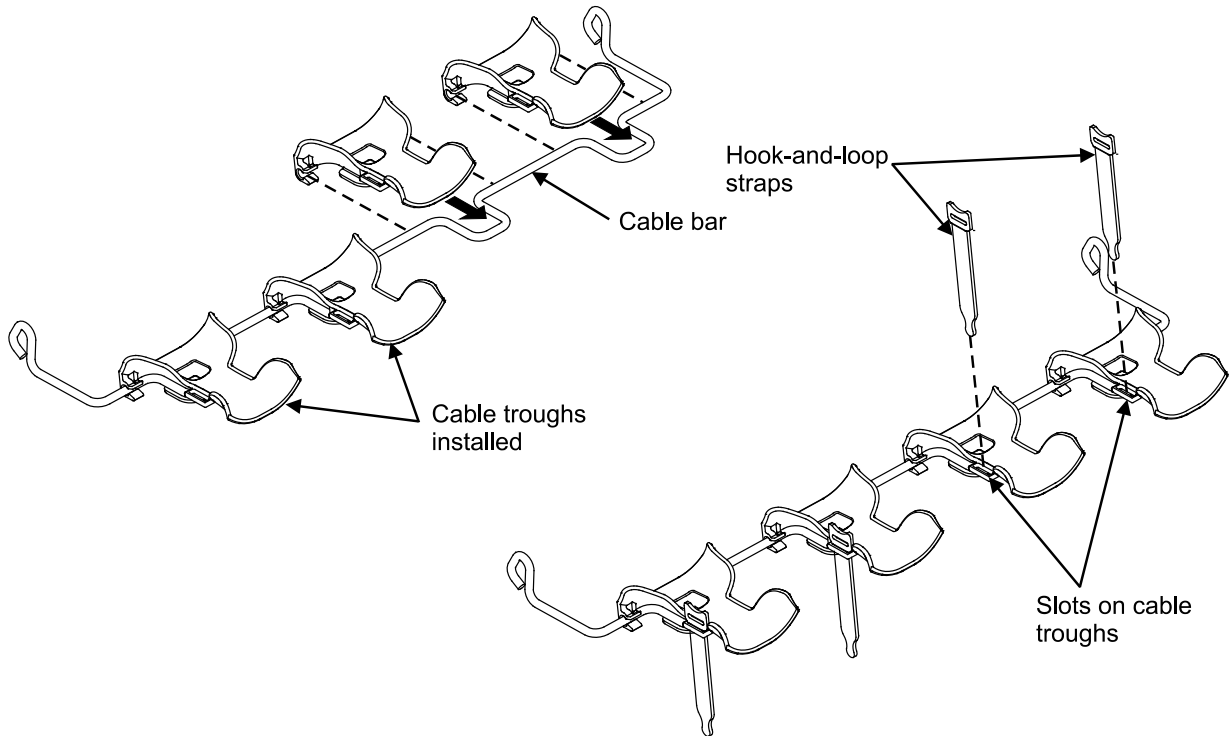
Quantity	Description
1	Panel
1	Panel bezel
1 sheet	Labels
1 sheet	Label retainers
4	12-24X1/2" mounting screws
1	Cable management bar
4	Cable troughs
4	Hook-and-loop straps
1	Instruction sheet

## Step 1 – Mount Panel to Rack

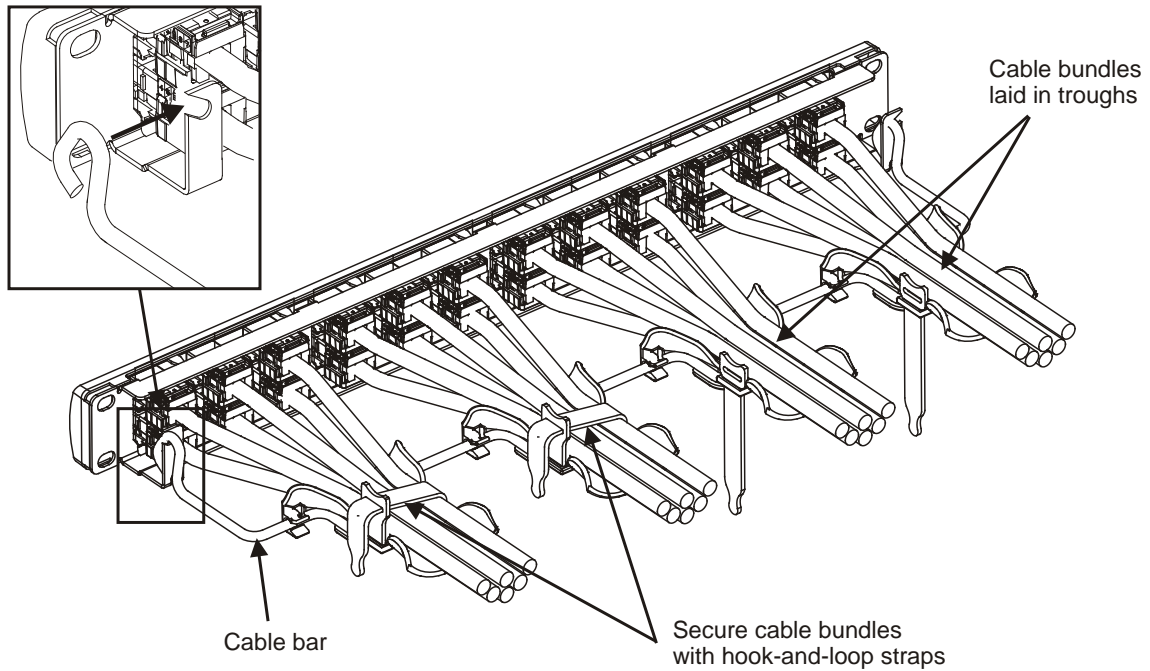


1. Mount panel to rack using the four mounting screws provided. After securing the panel to the rack, snap the **SYSTIMAX 360** bezel onto the front of the panel.

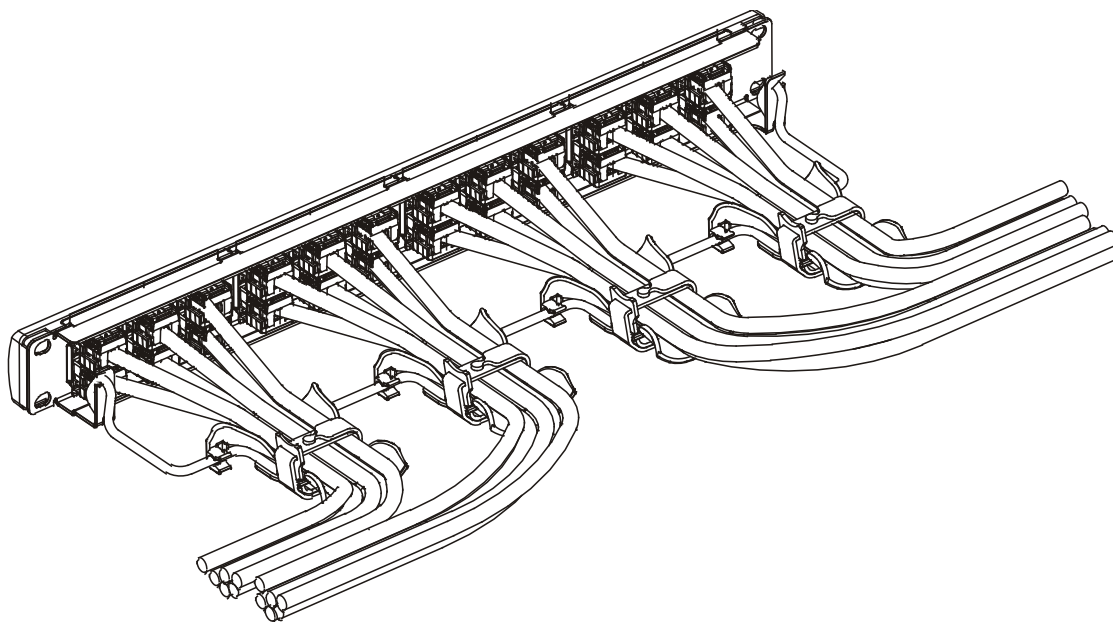
## Step 2 – Assemble and Install Rear Cable Manager



1. Attach the four cable troughs onto bar as shown and insert four hook-and-loop straps into slots in cable troughs.

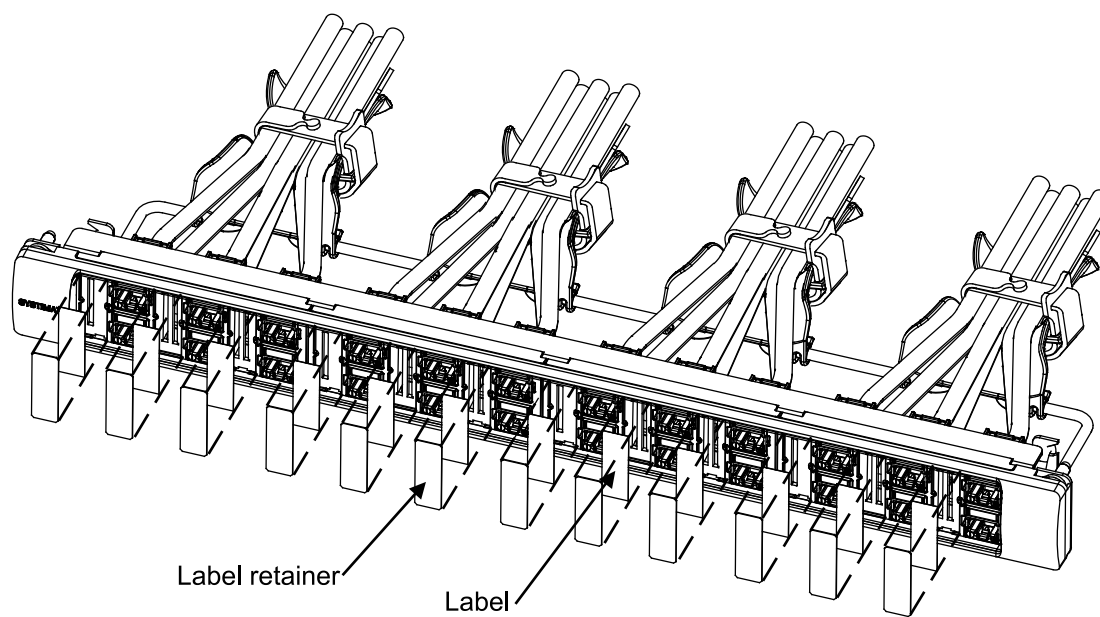


2. Attach cable bar to rear of panel.
3. Lay cables evenly in cable troughs and secure using hook-and-loop straps as shown.



4. The figure above illustrates a typical completed installation.

### Step 3 – Install Port Designation Labels



1. Print port designations on labels.
2. Insert labels and label retainers into outlet bezel from the front.