



## Rack Mounting Kit for VisiPatch® 360 Panel System

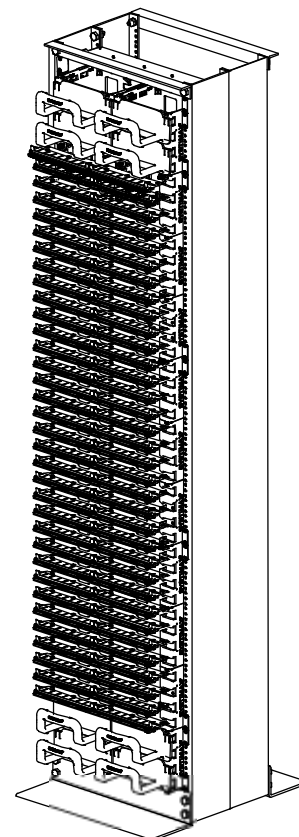
### General

The **SYSTIMAX® VisiPatch® 360** panel system features IDC cross-connect or patch cord termination and increased density for optimum patch cord management and is an approved component for use in **PowerSUM**, **GigaSPEED Xpress®**, and **GigaSPEED® X10D** systems.

The VP360-RMBKT rack mounting kit is used to install the **VisiPatch 360** back panels into an industry standard 19-inch (483mm) rack. This supplements instruction sheet 860387018, **VisiPatch 360** Wall Mounted Panel System. Refer to that document for detailed component installation and cabling. Six kits are required for a complete rack installation as described here.

Ordering information is listed below:

Material ID	Part No.	Description
760060327	VP360-RMBKT	<b>VisiPatch® 360</b> 19-inch (483mm) rack mounting bracket



**VisiPatch® 360 Panel System –  
Rack Mounted**

This product is covered by one or more of the following U.S. patents or their foreign equivalents:  
6,106,329, 5,915,989, 5,911,594, 6,403,885, 6,379,194, 6,302,699, 6,276,972, 6,118,075, 6,242,698, 5,718,604, 6,302,728,  
6,284,980, 6,227,886, 6,159,020, 5,915,992.

---

## How to Contact Us

- To find out more about **CommScope**<sup>®</sup> products, visit us on the web at <http://www.commscope.com/>
- For technical assistance:
  - Within the United States, contact your local account representative or technical support at 1-800-344-0223. Outside the United States, contact your local account representative or Authorized Business Partner.
  - Within the United States, report any missing/damaged parts or any other issues to CommScope Customer Claims at 1-866-539-2795. Outside the United States, contact your local account representative or Authorized Business Partner.

## Tools Required

- Phillips head screwdriver
- Flat head screwdriver
- Pliers or channel locks

## Parts List

Verify parts against the parts list below:

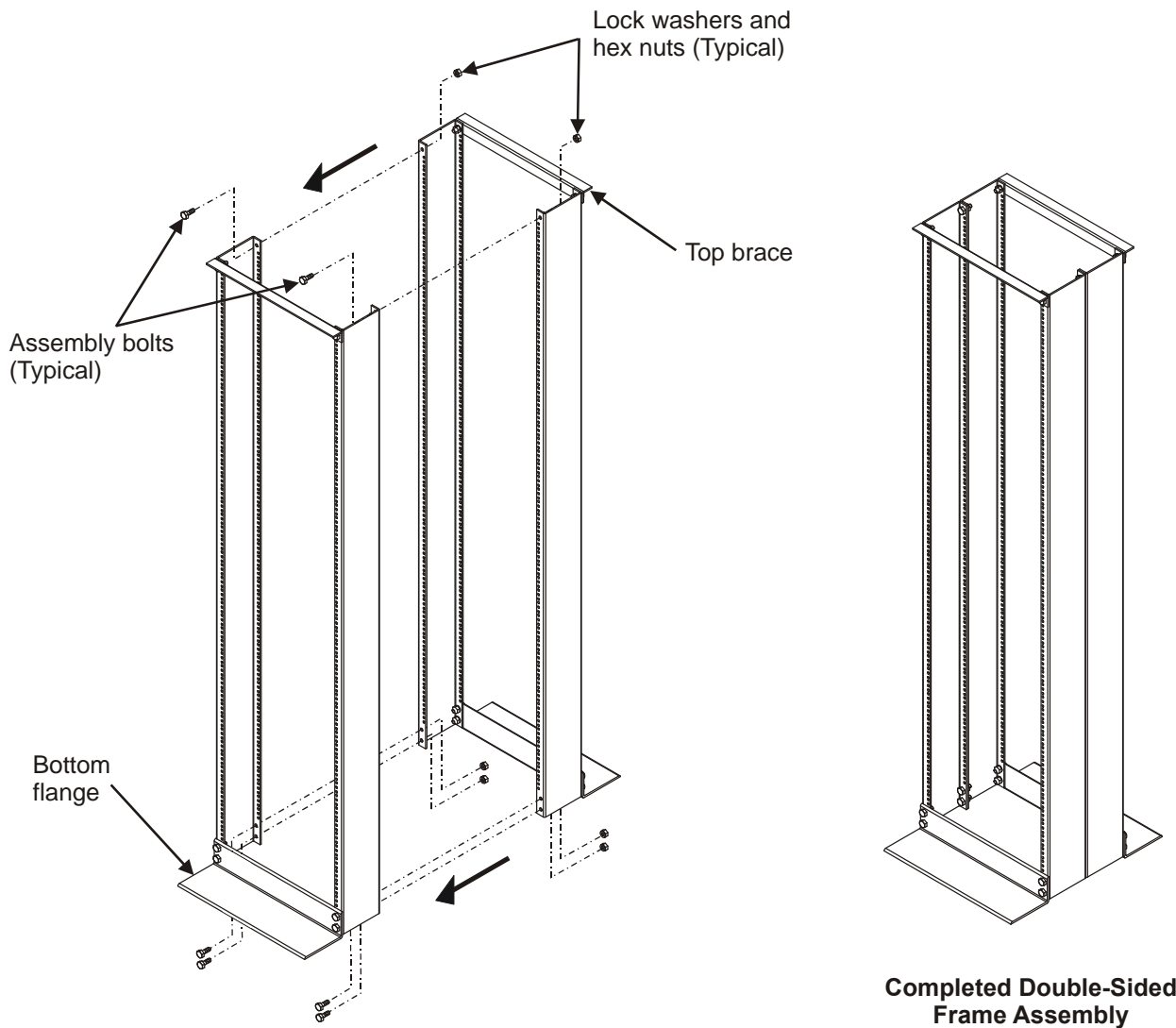
Quantity	Description
1	Mounting bracket
4	#12-20 x 1/2" mounting screws
8	Pan-head machine screws

---

**Note:** Six kits are required for a complete rack installation.

---

## Step 1 – Assemble Rack(s) for Single-Sided or Double-Sided Installation



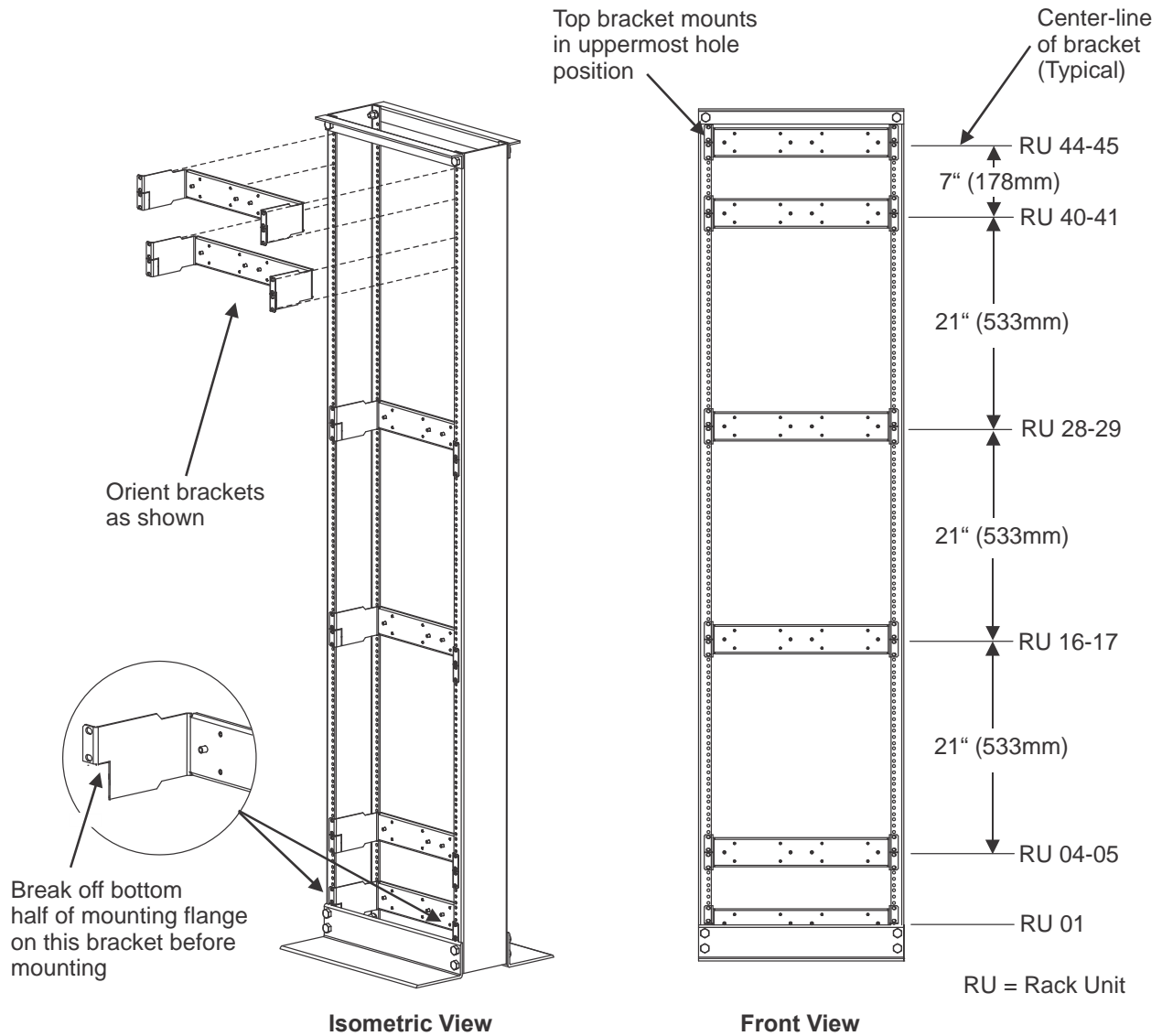
**Note:** The **VisiPatch 360** rack mounted brackets are designed to fit a standard 6-inch (152mm) deep by 19-inch rack.

1. Assemble 19-inch rack(s) per instructions provided with the racks.

**If the VisiPatch 360 components are to be mounted in a single-sided rack, skip the rest of this step and go to Step 2.**

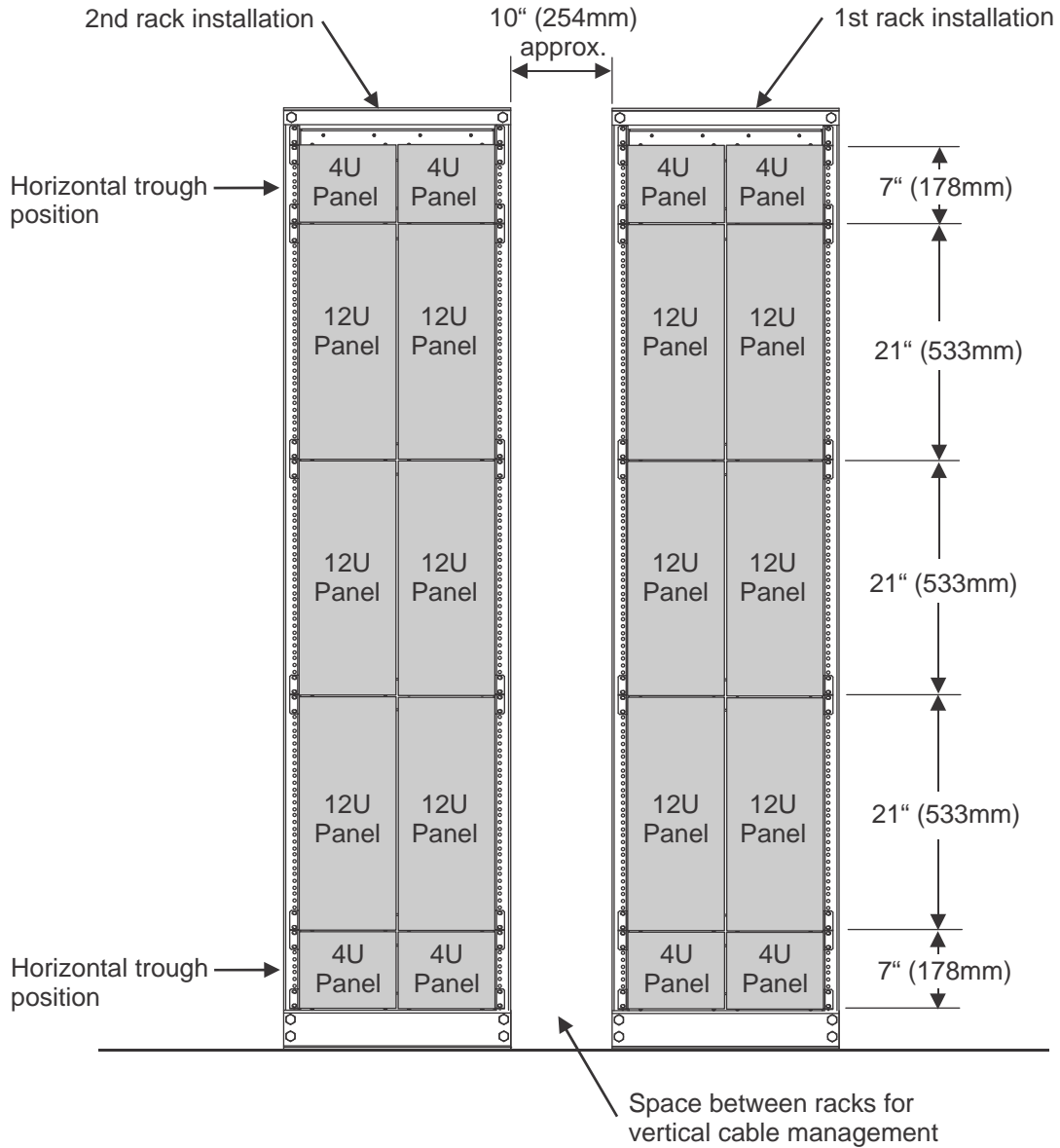
2. Do not install bottom flange and top brace on one side of each rack during assembly or if rack is already assembled, remove bottom flange and top brace from one side of each rack and discard. Retain assembly hardware.
3. Place the two racks against each other with the remaining bottom flanges and top braces facing to the outside as shown above.
4. Use existing assembly hardware (from removal of bottom flange and top brace) to secure the two racks together as shown above.

## Step 2 – Install Brackets in Rack

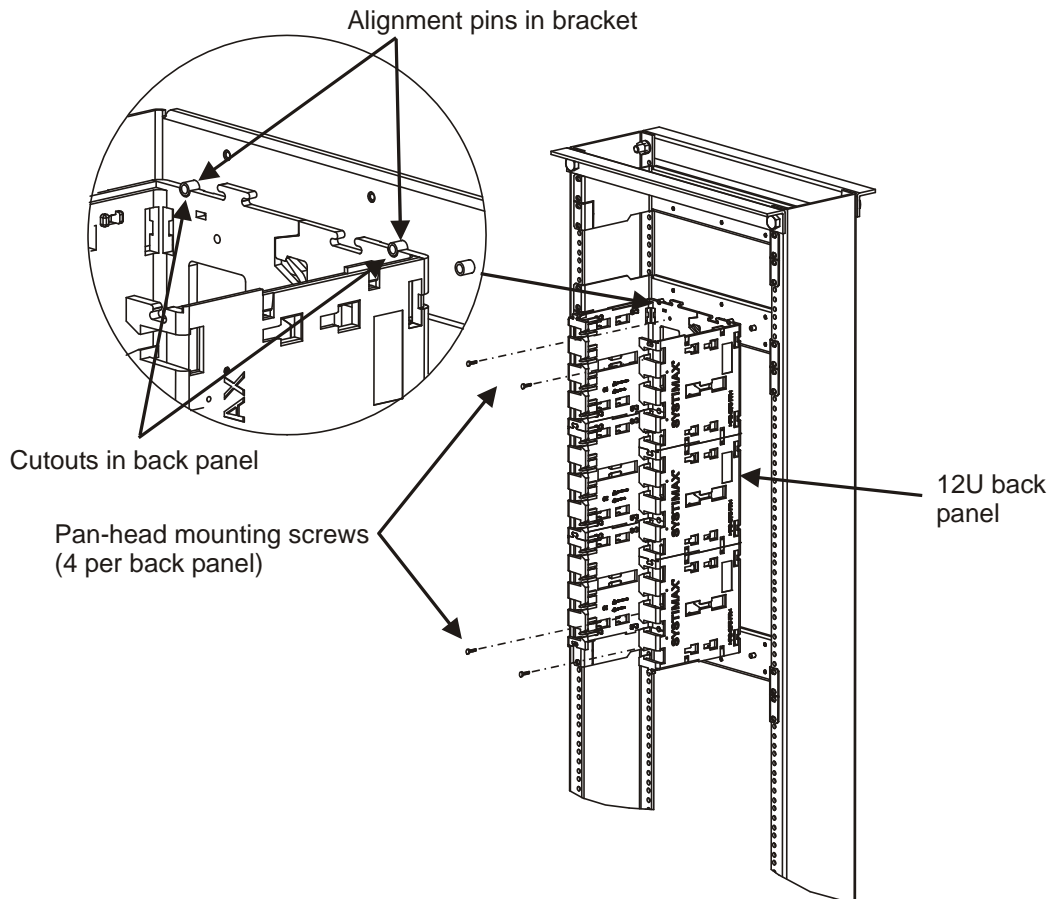


1. Install the six back panel brackets into each rack per the dimensions and rack unit positions shown above.  
**Note:** All brackets are identical and can be installed in any position. The detachable flange section should be on the lower half of the installed brackets.
2. Using pliers, break off the bottom half of the mounting flange on both sides of the bottom bracket before installing into the rack. Each bracket includes this detachable flange section.

### Step 3 – Install VisiPatch 360 Back Panels



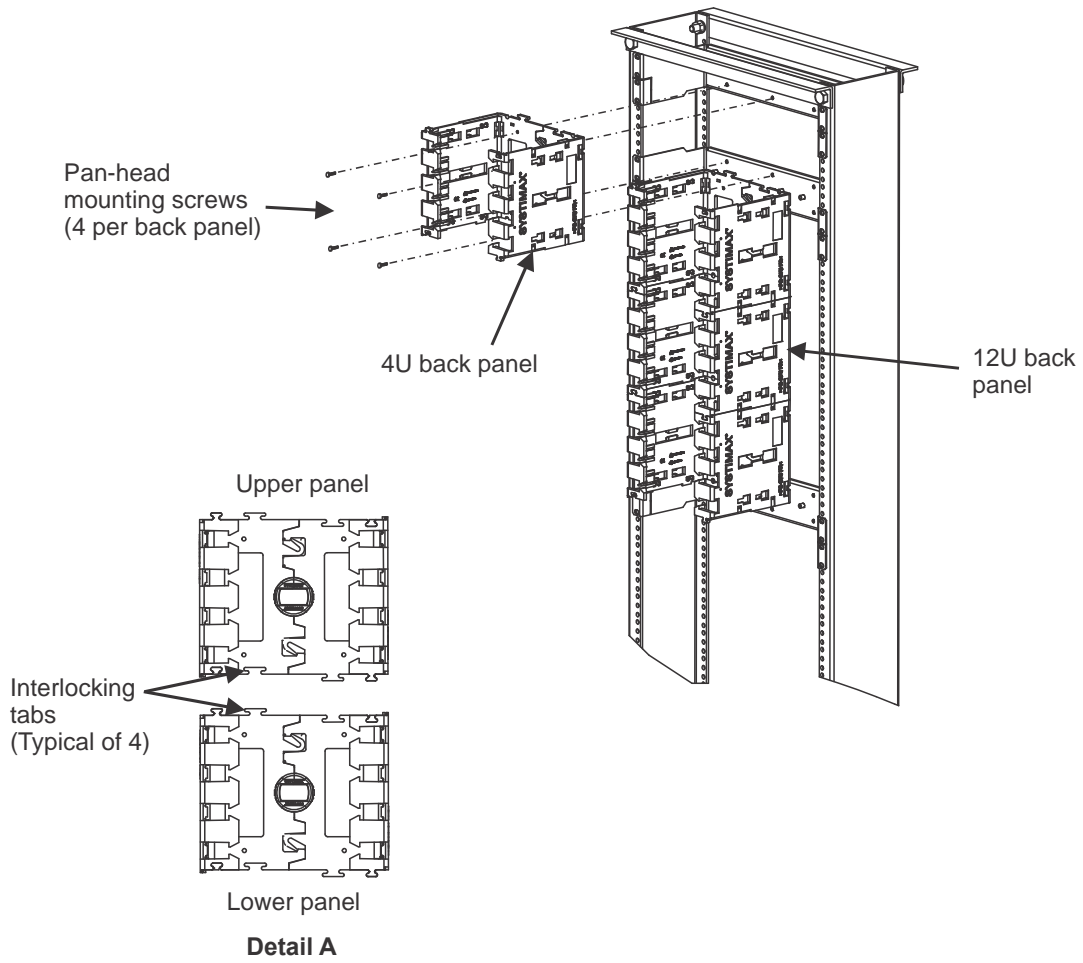
**Note:** The figure above shows the recommended configuration for rack mounting **VisiPatch 360** back panels, although other configurations are possible. If two or more racks will be installed, it is recommended to provide approximately 10 inches (254mm) space between the racks for vertical cable management. Single and double-sided vertical troughs for cable management are available from your **SYSTIMAX** distributor.



1. Install the 12U and 4U back panels into the rack. The mounting brackets have alignment pins which must be oriented with the cutouts on each back panel as shown above. Each bracket has four pins; two pins for each back panel. The brackets accommodate two back panels mounted side-by-side.

**Note:** In addition to the alignment pins, the back panels must be interlocked together at the top and bottom utilizing the interlocking tabs molded into the panels. See Detail A on next page.

2. Once aligned and positioned, secure the back panels to the mounting brackets using the pan-head screws included in the kit.



3. See instruction sheet 860387018 for complete installation and cabling instructions of **VisiPatch 360** components, such as horizontal troughs, connecting blocks, etc.