



SYSTIMAX® M30FP-SVHS Video Adapter Instructions

General

The S-Video or super VHS (SVHS) adapter provides baseband video connectivity to 24 AWG unshielded twisted-pair (UTP) **SYSTIMAX**® building wiring utilizing a 110 insulation displacement connecting (IDC) block. Each adapter connects to two pairs of a 4-pair UTP cable. These adapters provide point-to-point transmission of analog baseband National Television System Committee (NTSC)/Phase-Alteration Line (PAL)/SECAM S-Video signals by dividing it into two separate signals: chrominance for color and luminance for brightness. The adapter is compatible with the **SYSTIMAX** Flexible Faceplate.

Ordering information is listed below:

Material ID	Part No.	Description
760013094	M30FP-SVHS-110-003	Flush mount S-VHS adapter, black

How to Contact Us

- To find out more about **CommScope**® products, visit us on the web at <http://www.commscope.com/>
- For technical assistance:
 - Within the United States, contact your local account representative or technical support at 1-800-344-0223. Outside the United States, contact your local account representative or Authorized Business Partner.
 - Within the United States, report any missing/damaged parts or any other issues to CommScope Customer Claims at 1-866-539-2795. Outside the United States, contact your local account representative or Authorized Business Partner.

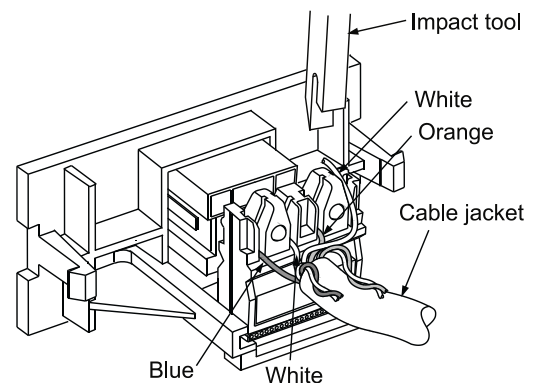


CAUTION

Follow local regulations and applicable codes. Refer to ANSI/TIA/EIA-568-B for safe installation practices.

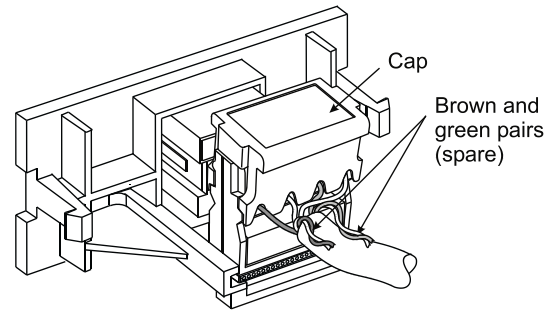
Step 1 – Connect Twisted-Pair Wires

- Remove about 2 inches (51mm) of cable from the jacket. When preparing 71 or 81-series cable, remove bisector or flute by cutting it as close to the sheath as possible.
- Place conductors in the IDC slots in the sequence shown, minimizing untwisting or separation of conductors up to the point of termination.
- Pull the pairs tight so that the cable jacket touches the 110 block.
- Seat the wires into the IDC slots using an impact tool with M110 blade on LO-impact setting. Use the cutting edge of the blade to trim excess wire flush with 110 block.



Note: The cap may be used to seat conductors, but using the standard impact tool is recommended.

5. Strap back brown and green pairs or use to terminate another S-Video outlet or single RCA outlet.
6. Place cap over terminated conductors.



Step 2 –Snap Adapter into Flexible Faceplate

Note: Adapters should be inserted from center to outside on duplex frame (described here), but may be snapped-in from either left or right side on single frame

1. Locate adapter so that latch lines up with one of three tapered sections on edge of duplex frame.
2. Position edge of adapter into frame on center section.
3. Push in on outside edge of adapter until latch snaps into frame.

