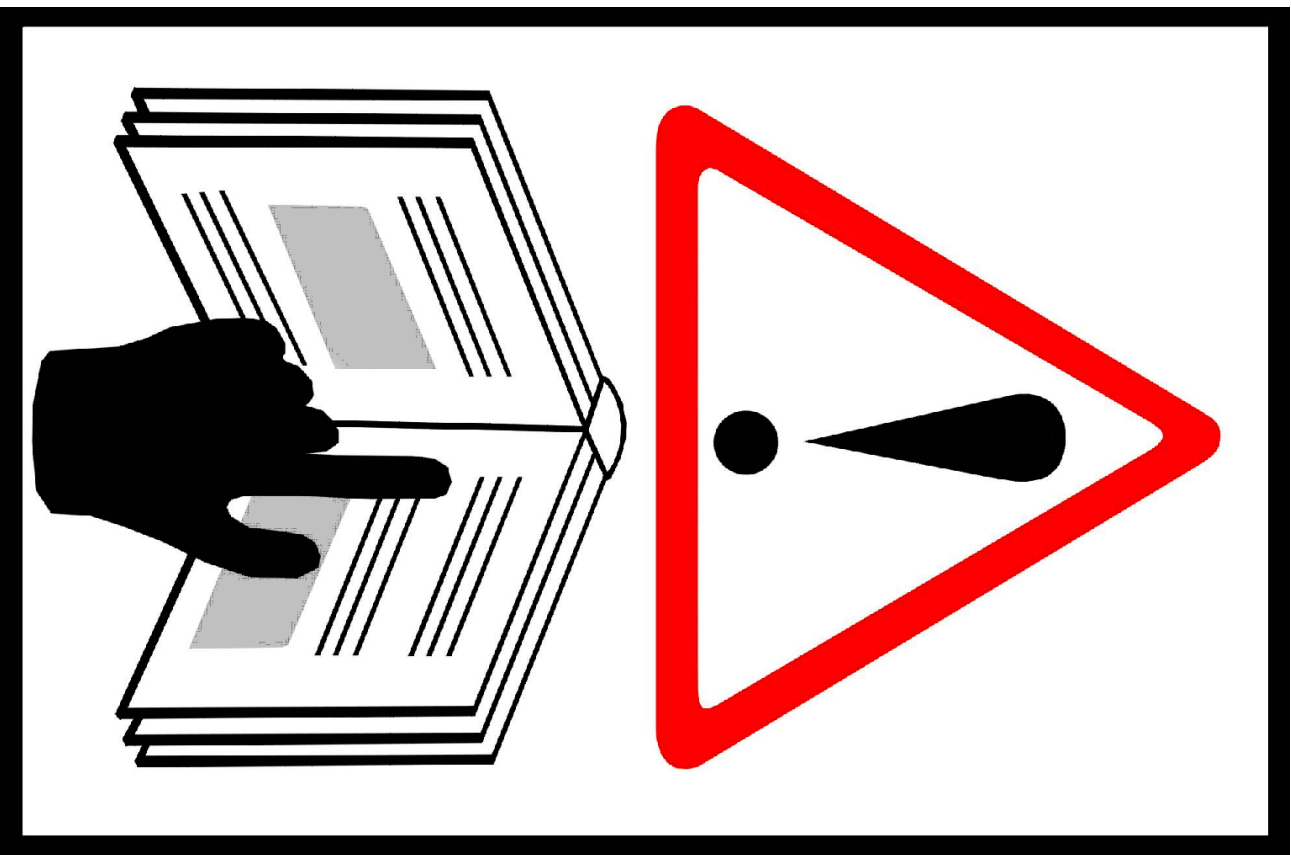


# **IMPORTANT!**

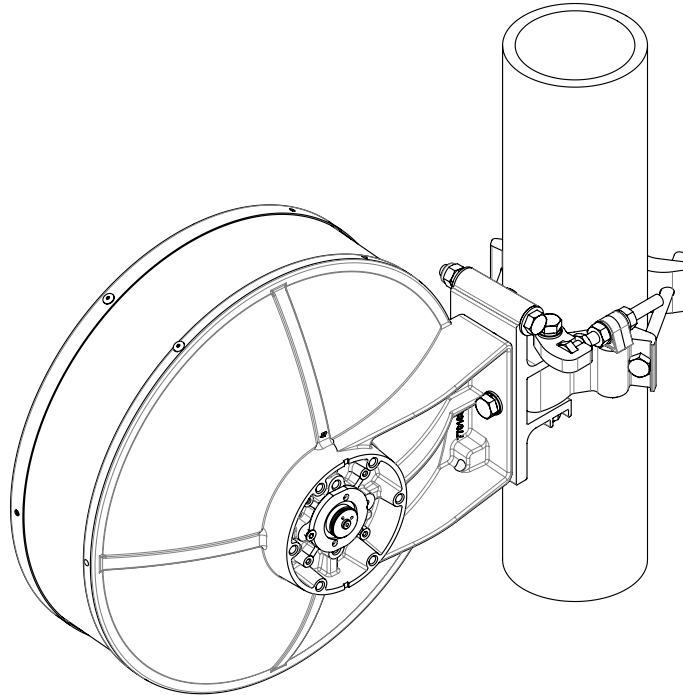
**INSTALLATION  
INSTRUCTIONS**

**READ THIS MANUAL  
FULLY BEFORE  
UNPACKING AND  
ASSEMBLING  
ANTENNA**





## This document is for the following: VHLP(X)1-80A\*\*\* 0.3m ANTENNA



### SAFETY

**ANTENNA INSTALLATION, MAINTENANCE OR REMOVAL MUST BE PERFORMED BY QUALIFIED EXPERIENCED INSTALLER.**

It is essential that all appropriate national and local safety regulations be strictly observed to ensure the safety of personnel and to prevent damage to the equipment. CommScope cannot accept responsibility for accidents resulting from non-compliance with such regulations.

The Antenna is designed to attach to a vertical tower pipe of diameter 50-120mm  
The mount provides adjustment ranges of  $\pm 15^\circ$  fine elevation and  $\pm 180^\circ$   
( $\pm 15^\circ$  Fine) azimuth.

**Always read the entire manual before commencing installation.**

### WARNING

**Do not use any installation components (screws, nuts, etc) other than with the equipment or recommended by the supplier**

#### Andrew Solutions

#### Customer Service 24 hours

U.S.A., Canada, Mexico: 1-800-255-1479  
or 1-888-235-5732  
U.K.: 0800 250055  
Other Europe: +44 592 782 612

[www.commscope.com/andrew](http://www.commscope.com/andrew)

Visit our Web site at [www.commscope.com/andrew](http://www.commscope.com/andrew) or contact your local Andrew Solutions representative for more information.  
© 2008 CommScope, Inc. All rights reserved.

Andrew Solutions is a trademark of CommScope. All trademarks identified by ® or ™ are registered trademarks or trademarks, respectively, of CommScope. This document is for planning purposes only and is not intended to modify or supplement any specifications or warranties relating to Andrew Solutions products or services.

Notice: Andrew disclaims any liability or responsibility for the results of improper or unsafe installation, inspection, maintenance, or removal practices.  
Aviso: Andrews no acepta ninguna obligacion ni responsabilidad como resultado de practicas incorrectas o peligrosas de instalacion, inspeccion, mantenimiento o retire.  
Avis : Andrew decline toute responsabilite pour les consequences de procedures d'installation, d'inspection, d'entretien ou de retrait incorrectes ou dangereuses.  
Hinweis: Andrew lehnt jede Haftung Oder Verantwortung fur Schaden ab, die aufgrund unsachgemäBer Installation, Überprüfung, Wartung Oder Demontage auftreten.  
Atencao: A Andrew abdica do direito de toda responsabilidade pelos resultados de praticas inadequadas e sem seguranca de instalacao, inspecao, manutengao ou remocao.  
Awertenza: Andrew declina eventual! responsabilita dervanti dell'esecuzione di procedure di installazione, ispezione, manutenzione e smontaggio improprie o poco sicure.

**注意：Andrew 公司申明對於不恰當或不安全的安裝、檢驗、維修或拆卸操作所導致的後果不負任何義務和責任**



**LIST OF CONTENTS**

<b><u>SECTION</u></b>	<b><u>TITLES</u></b>
<b>1</b>	<b>INTRODUCTION</b>
<b>2</b>	<b>SAFETY INSTRUCTIONS</b> Including Introduction, Standards, Safety Requirements, Safety Symbols, Definitions and Hazards.
<b>3</b>	<b>EQUIPMENT &amp; TOOLS</b> Including Equipment supplied diagram, Equipment quantities and descriptions. Tools required.
<b>4</b>	<b>UNPACKING</b> Including Unpacking of antenna parts.
<b>5</b>	<b>MOUNT ATTACHMENT AND ALIGNMENT</b> Including Basic alignment, Attaching the antenna to the pole, Fitting the mount, Elevation alignment, Azimuth alignment and tightening fasteners instruction.
<b>6</b>	<b>GENERAL INFORMATION</b> Including maintenance and cleaning instructions.

**INTRODUCTION**

This instruction describes how to assemble a VHLP(X)1-80A antenna.

The antenna can be mounted with the mount offset to the left or to the right. Offset left is described in this bulletin, however the images showing offset right installation are shown at the end of this document.

**SAFETY INSTRUCTIONS****INTRODUCTION**

This section describes the system used for presenting safety information.



Reduce the risk of accidents by studying all the instructions carefully before you start working.

The safety information in the relevant manuals presupposes that any person performing work on CommScope products or systems has the education, training and competence required to perform the task correctly.

**SAFETY REQUIREMENTS**

The safety requirements in the following sections must be followed to avoid personal injury and damage to tangible property.

It is the responsibility of the installer to ensure that local regulations and the safety instructions in this manual are known and followed.

**SERVICE PERSONNEL**

Installation and service must be carried out by authorized personnel having the appropriate technical training and experience necessary to be cognizant of hazards during installation and service, and of measures to minimize any danger to themselves or any other person.

**SAFETY REGULATIONS**

Use local safety regulations where these are mandatory. The safety instructions in this manual shall be used as a supplement to the local regulations.

In case of conflict between the safety instructions in this manual and the local safety regulations, the local safety regulations shall prevail if these are mandatory. If the local regulations are not mandatory the safety instructions in this manual shall prevail.

**INSTALLATION HARDWARE**

Do not use any installation components (for example screws and nuts) other than those enclosed with the equipment or recommended by CommScope.



Use protective wear to avoid skin contact with conductive grease. Keep away from mouth. Wash thoroughly after use with liberal amounts of liquid soap and rinse with water. Do not store open near food or food substances.

Contents: Oil, clay & zinc dust.

**INSTALLATION PROCEDURES & TOOLS**

The installation procedures in this manual must be followed. Make sure that:

- Working instructions are followed.
- Recommended tools are used.
- Adequate safety devices are used.
- Adequate care is taken to prevent damage to antenna parts.
- The risk of falling and falling objects is known.
- All hardware is tightened to the torques specified  $\pm 5\%$ . The integrity of the antenna depends on all fasteners being tightened correctly.

**ANNUAL INSPECTION**

Antenna systems should be inspected once a year by qualified personnel to verify proper installation, maintenance, and condition of equipment.

**SAFETY SYMBOLS & DEFINITIONS**

**HOISTING**



**WARNING!**

Falling objects can cause accidents.

- 
- 
- Use only tested and approved hoisting equipment in accordance with the instructions supplied with the equipment. Appropriately trained personnel must operate the hoisting device.
  - Always hoist the equipment in the specified hoisting points.
  - Never walk under hoisted loads.
  - Follow local regulations for safety clothing and safety equipment for hoisting or moving goods.

**WORKING AT HEIGHTS**



**WARNING!**

Some working areas involve the risk of accidents caused by falling or by falling objects

---

---

*Table 1 Supplied Equipment and Tools*

<b>Item</b>	<b>Qty</b>	<b>Description</b>	<b>Contained in Kit Part No</b>
<b>A</b>	<b>1</b>	<b>Reflector Assembly</b>	
<b>B</b>		<b>Mount Kit</b>	7705250
<b>B1</b>	<b>1</b>	<b>Elevation Adjuster Assembly</b>	7705239
<b>B2</b>	<b>1</b>	<b>Pipe clamp</b>	7676242
<b>B3</b>	<b>1</b>	<b>V Clamp Bracket</b>	7676245
<b>B4</b>		<b>Mount Hardware Kit</b>	7692241
	1	Azimuth Adjuster Assembly	7692243
	1	Adjuster Boss	
	1	Nut,Hex Thin,M10,sst,Pass	
	6	Nut,Hex,DIN 934,M10,sst,Pass	
	7	Wshr,LK,Split,M10,sst,Pass	
	9	Wshr,FLT,M10,10.5X20X2,sst,Pass	
	1	Scr,HCS,Hex,M10X20,sst,Pass	
	1	Scr,HCS,Hex,M10X30,sst,Pass	
	1	Scr,HCS,Hex,M10X45,sst,Pass	
	2	Scr,HCS,Hex,M10X90,sst,Pass	
	2	Scr,HCS,Hex,M10X150,sst,Pass	
	1	Conductive Grease (Tube)	
	2	Gloves	
	1	Spacer	

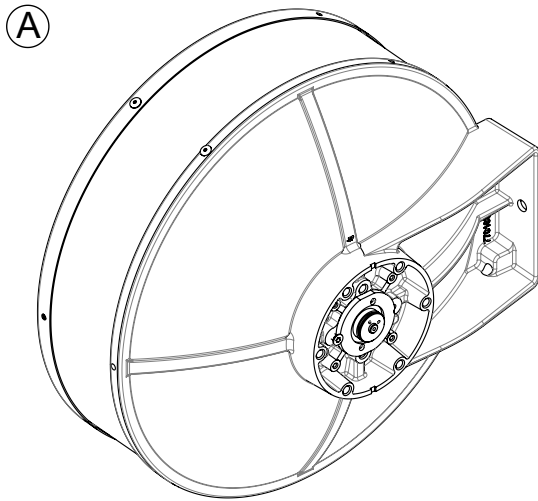
## Tools

### TOOL REQUIREMENTS

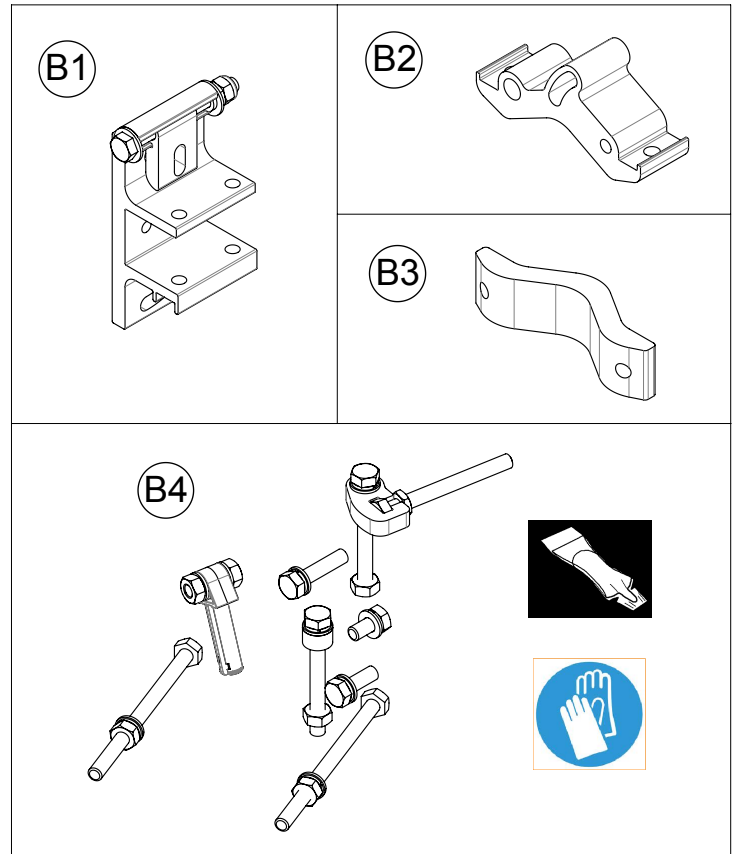
Tools Required	Thread Diameter in MM
	M10
Ring and Open Spanner (A/F)	17mm
Torque Wrench	
Sockets (A/F)	17mm



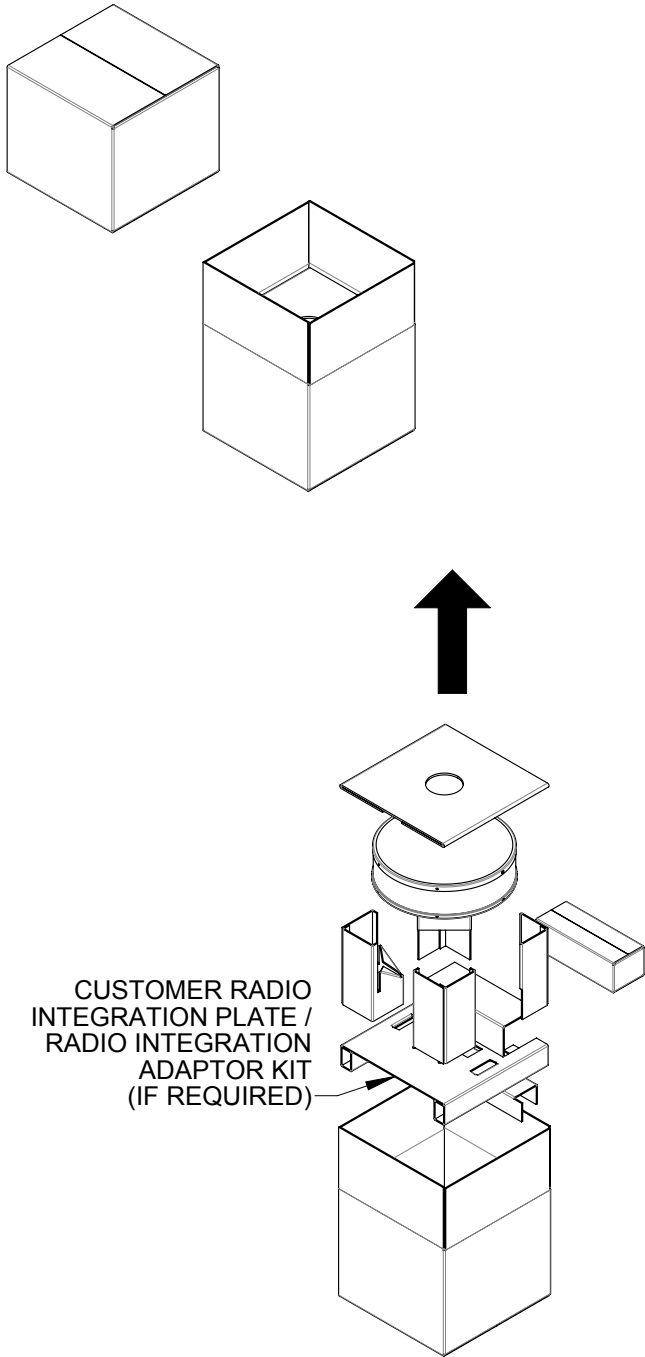
# Equipment



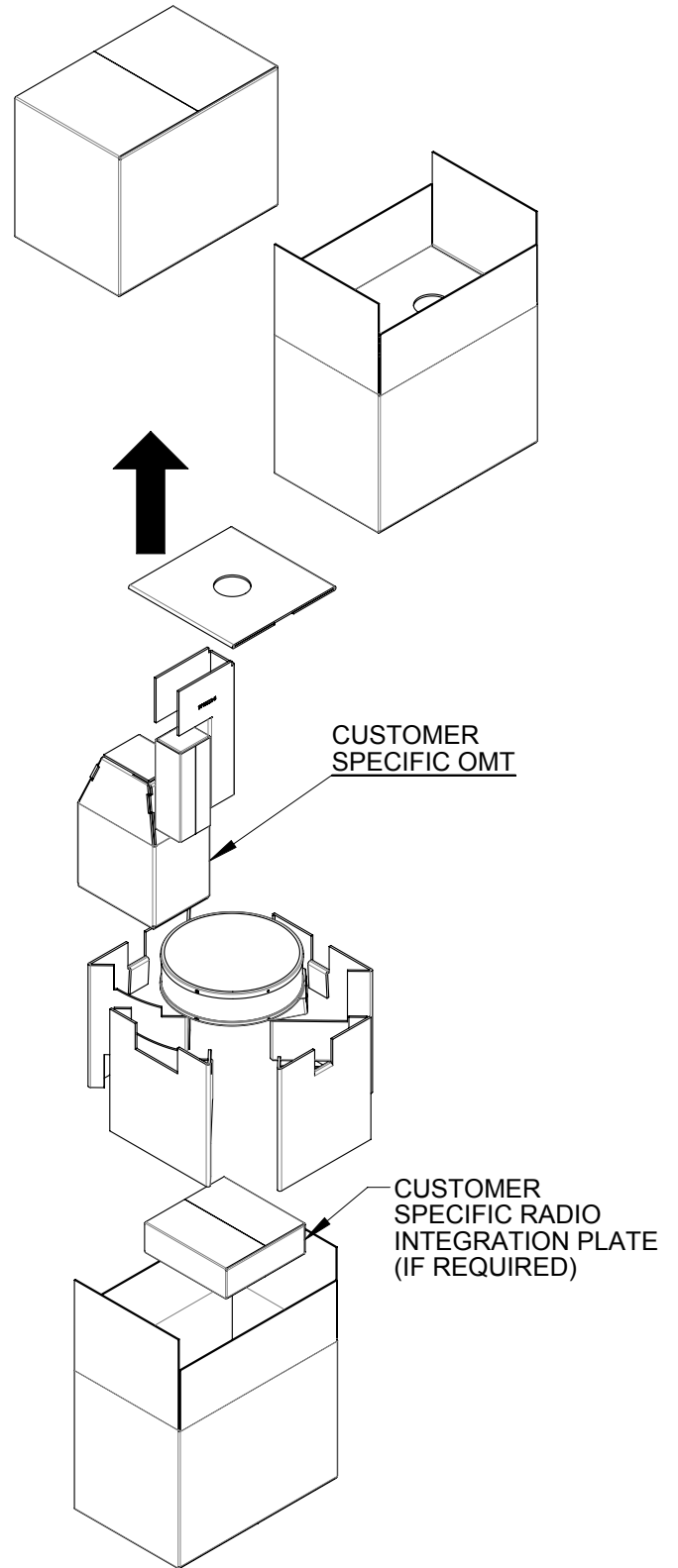
(B)



# Unpacking



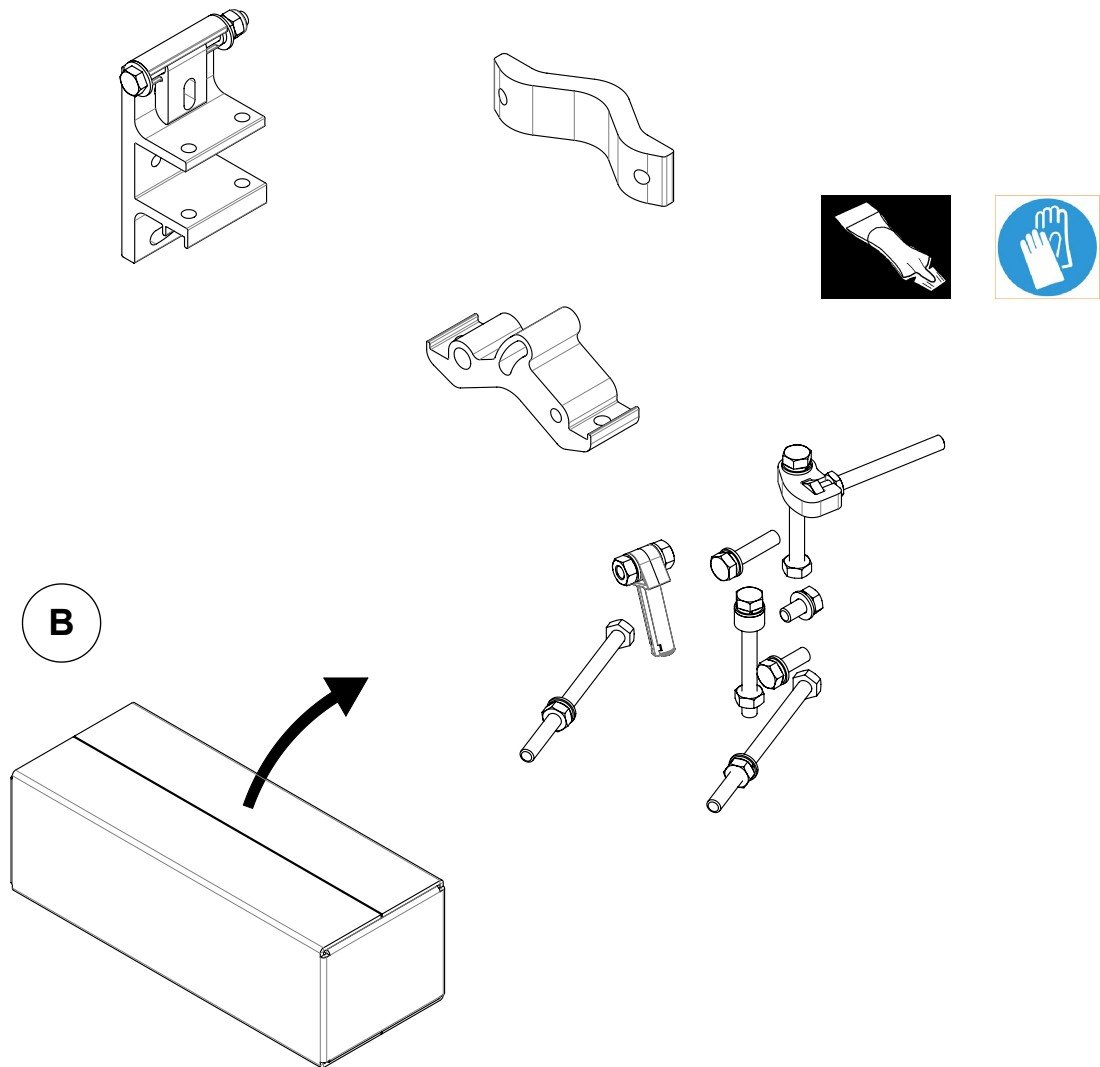
STANDARD AND CUSTOMER SPECIFIC SP



CUSTOMER SPECIFIC DP ONLY

UNPACK ALL PARTS WITHIN PACKING. PARTS MAY VARY PER PRODUCT

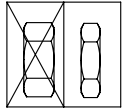
# Unpacking Mount Kit



# 1 Pre-assembly of Mount

## Assemble Mount to antenna at ground level prior to attachment to tower

Apply grease to all threads prior to assembly, use gloves provided.



Tighten nut to torque of 38Nm ± 5%

Pre-assemble antenna mount as shown. Unless a torque is specified fit screws finger tight.

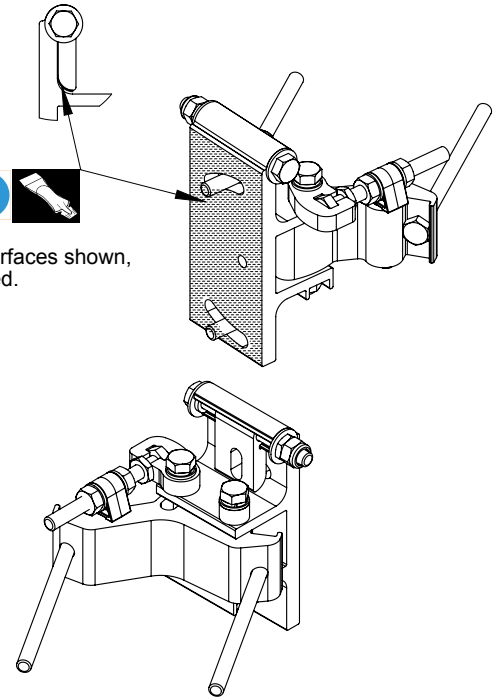
M10 x 150

M10 x 90  
Torque to 38Nm ± 5%

Manually adjust azimuth to center of slot BEFORE torquing



Apply grease to surfaces shown, use gloves provided.

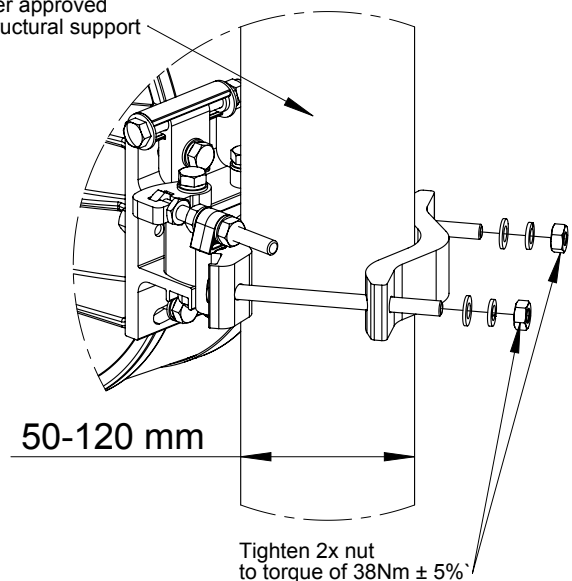
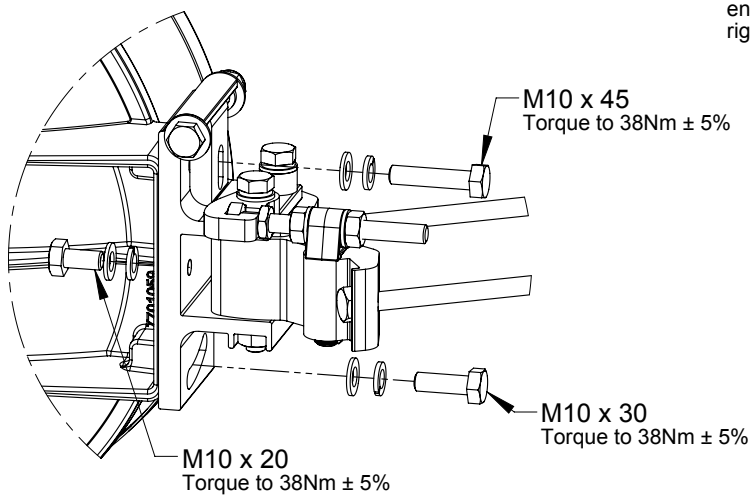


# 2 Mounting of Antenna

Assemble antenna mount to antenna assembly as shown.

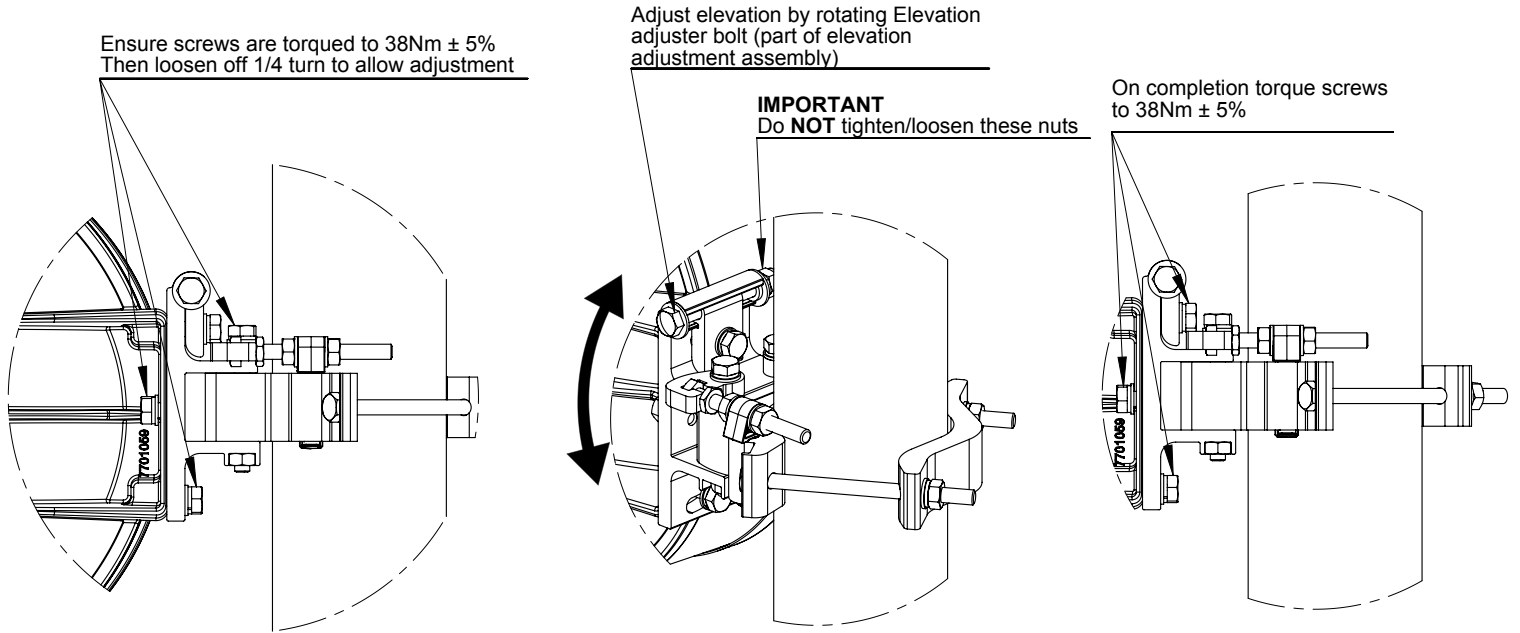
Secure mount to pole as shown.

Pole to be structural engineer approved rigid structural support

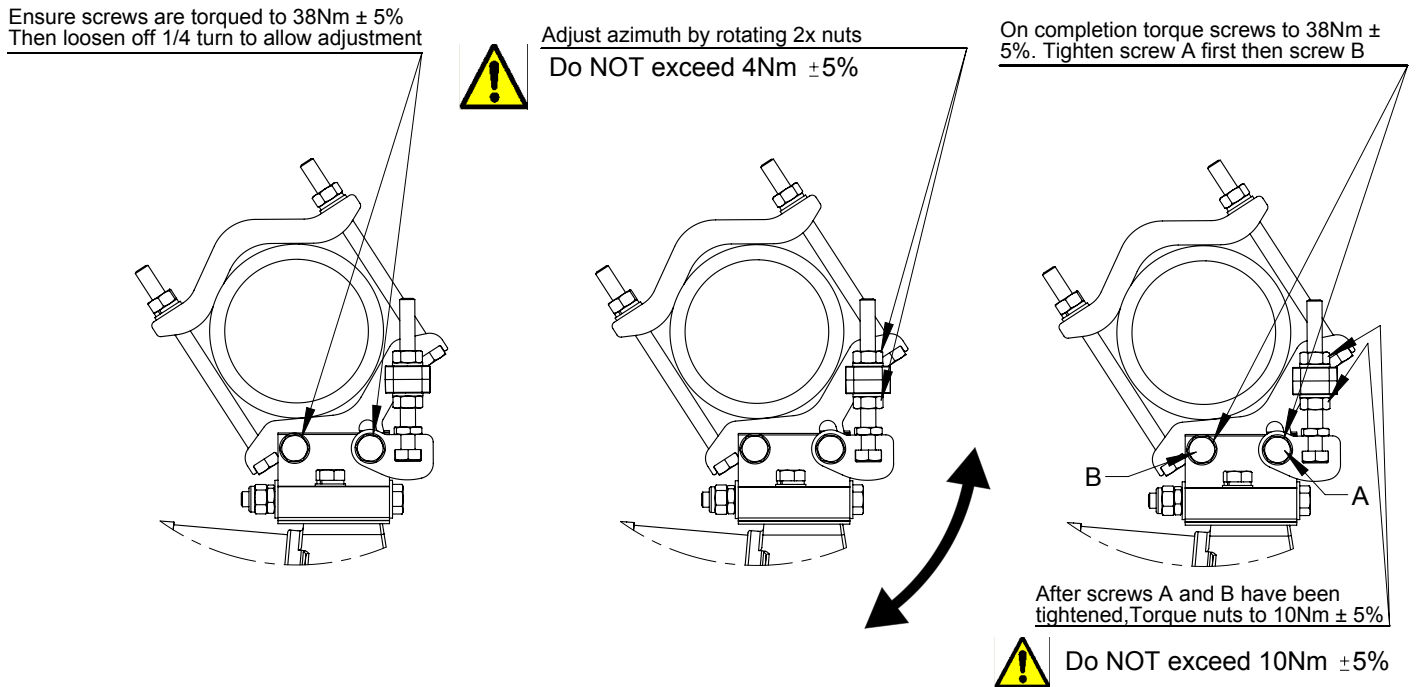


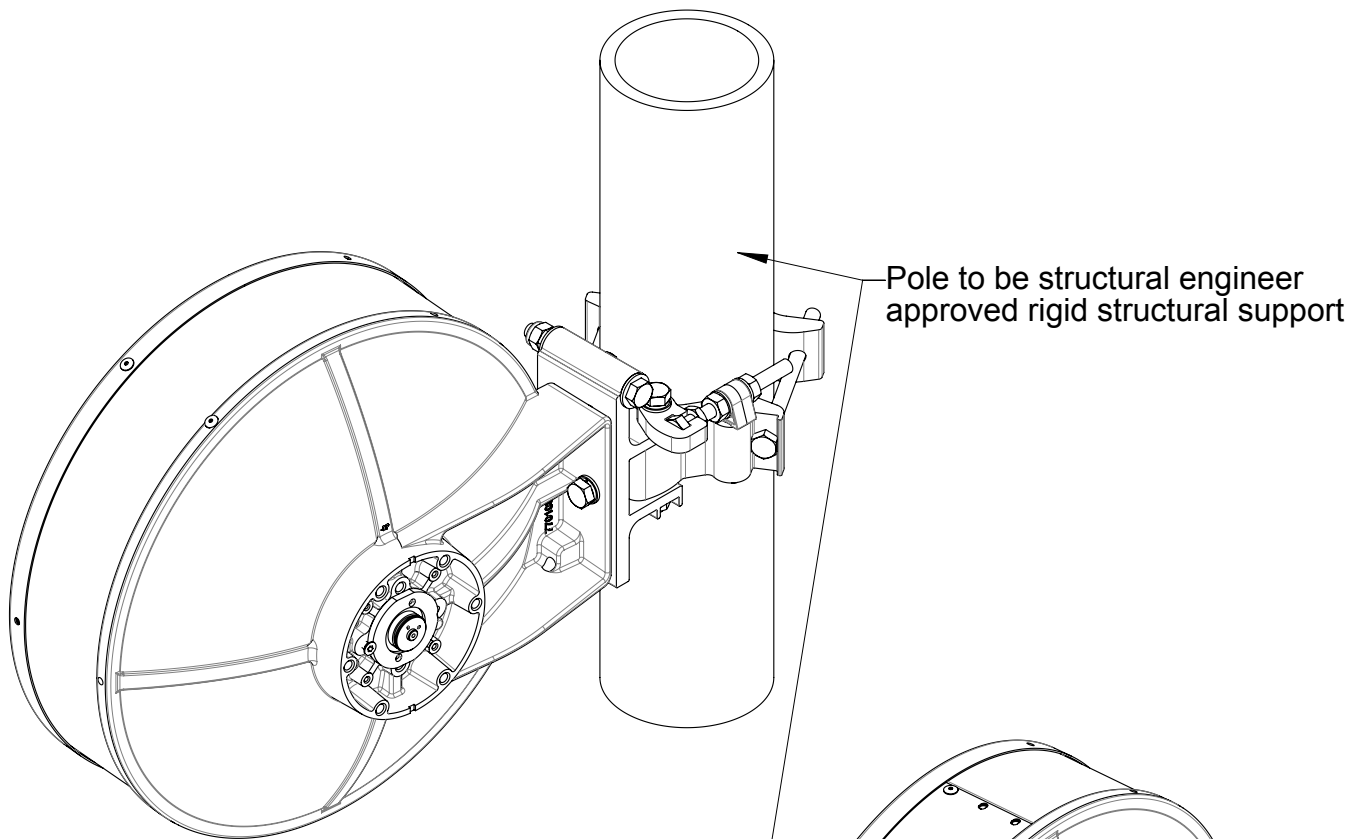
**NEVER WALK  
UNDER HOISTED  
LOADS**

### 3 Elevation Adjustment



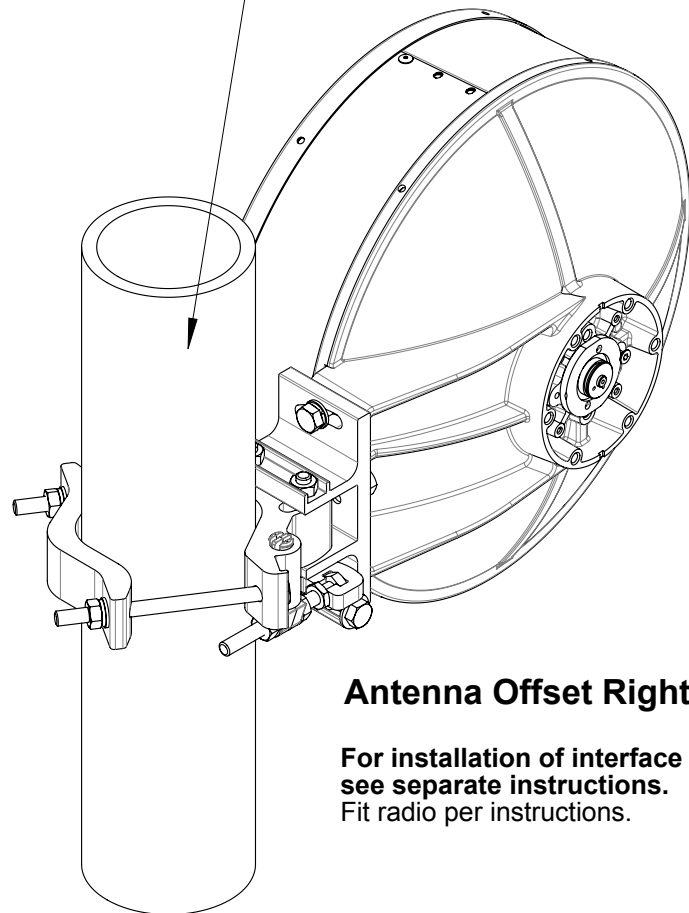
### 4 Azimuth Adjustment





**Antenna Offset Left**

**For installation of interface  
see separate instructions.**  
Fit radio per instructions.



**Antenna Offset Right**

**For installation of interface  
see separate instructions.**  
Fit radio per instructions.

## 6 General Information

### 6.1 General maintenance

The antenna is designed such that minimal maintenance is required. Other than strong wind conditions the unit is not subject to abnormal forces and regular inspection and maintenance should ensure trouble free operation.

### 6.2 Cleaning of Antenna

If subsequent cleaning of the antenna is required solvent based solutions must not be used.